



SLOVENSKI STANDARD

SIST EN 4702-02:2018

01-januar-2018

Aeronavtika - Spončni sistemi za hitro sprostitvev za nestrukturno uporabo in notranje obloge - 02. del: Kombinacija vzmetna objemka-stojni vijak

Aerospace series - Quick release fastening systems for non-structural and lining applications - Part 02: Spring clamp stud combination

Luft- und Raumfahrt - Schnellverschlussysteme für nicht-strukturelle und Innenausstattungsanwendungen - Teil 02: Federclip-Bolzen-Kombination

Série aérospatiale - Fixations rapides filetées pour applications non-structurales et revêtements intérieurs - Partie 02: Combinaison de colliers lyre et pions

[https://standards.iteh.ai/catalog/standards/sist/e9b95a7f-87b5-41df-b79a-](https://standards.iteh.ai/catalog/standards/sist/e9b95a7f-87b5-41df-b79a-7296e609cddc/sist-en-4702-02-2018)

Ta slovenski standard je istoveten z: EN 4702-02:2017

ICS:

49.030.20 Sorniki, vijaki, stebelni vijaki Bolts, screws, studs

SIST EN 4702-02:2018

en,fr,de

iTeh STANDARD PREVIEW
(standards.iteh.ai)

SIST EN 4702-02:2018

<https://standards.iteh.ai/catalog/standards/sist/e9b95a7f-87b5-41df-b79a-7296e609cddc/sist-en-4702-02-2018>

EUROPEAN STANDARD

EN 4702-02

NORME EUROPÉENNE

EUROPÄISCHE NORM

October 2017

ICS 49.035

English Version

Aerospace series - Quick release fastening systems for non-structural and lining applications - Part 02: Spring clamp stud combination

Série aérospatiale - Fixations rapides filetées pour applications non-structurales et revêtements intérieurs - Partie 02 : Combinaison de colliers lyre et pions

Luft- und Raumfahrt - Schnellverschlussysteme für nicht-strukturelle und Innenausstattungsanwendungen - Teil 02: Federclip-Bolzen-Kombination

This European Standard was approved by CEN on 23 July 2017.

CEN members are bound to comply with the CEN/CENELEC Internal Regulations which stipulate the conditions for giving this European Standard the status of a national standard without any alteration. Up-to-date lists and bibliographical references concerning such national standards may be obtained on application to the CEN-CENELEC Management Centre or to any CEN member.

This European Standard exists in three official versions (English, French, German). A version in any other language made by translation under the responsibility of a CEN member into its own language and notified to the CEN-CENELEC Management Centre has the same status as the official versions.

CEN members are the national standards bodies of Austria, Belgium, Bulgaria, Croatia, Cyprus, Czech Republic, Denmark, Estonia, Finland, Former Yugoslav Republic of Macedonia, France, Germany, Greece, Hungary, Iceland, Ireland, Italy, Latvia, Lithuania, Luxembourg, Malta, Netherlands, Norway, Poland, Portugal, Romania, Serbia, Slovakia, Slovenia, Spain, Sweden, Switzerland, Turkey and United Kingdom.



EUROPEAN COMMITTEE FOR STANDARDIZATION
COMITÉ EUROPÉEN DE NORMALISATION
EUROPÄISCHES KOMITEE FÜR NORMUNG

CEN-CENELEC Management Centre: Avenue Marnix 17, B-1000 Brussels

Contents		Page
European foreword		3
1	Scope	4
2	Normative references	4
3	Representations	5
4	Example of installation	6

iTeh STANDARD PREVIEW
(standards.iteh.ai)

SIST EN 4702-02:2018

<https://standards.iteh.ai/catalog/standards/sist/e9b95a7f-87b5-41df-b79a-7296e609cddc/sist-en-4702-02-2018>

European foreword

This document (EN 4702-02:2017) has been prepared by the Aerospace and Defence Industries Association of Europe - Standardization (ASD-STAN).

After enquiries and votes carried out in accordance with the rules of this Association, this European Standard has received the approval of the National Associations and the Official Services of the member countries of ASD, prior to its presentation to CEN.

This European Standard shall be given the status of a national standard, either by publication of an identical text or by endorsement, at the latest by April 2018, and conflicting national standards shall be withdrawn at the latest by April 2018.

Attention is drawn to the possibility that some of the elements of this document may be the subject of patent rights. CEN shall not be held responsible for identifying any or all such patent rights.

According to the CEN-CENELEC Internal Regulations, the national standards organizations of the following countries are bound to implement this European Standard: Austria, Belgium, Bulgaria, Croatia, Cyprus, Czech Republic, Denmark, Estonia, Finland, Former Yugoslav Republic of Macedonia, France, Germany, Greece, Hungary, Iceland, Ireland, Italy, Latvia, Lithuania, Luxembourg, Malta, Netherlands, Norway, Poland, Portugal, Romania, Serbia, Slovakia, Slovenia, Spain, Sweden, Switzerland, Turkey and the United Kingdom.

PREVIEW
(standards.iteh.ai)

SIST EN 4702-02:2018

<https://standards.iteh.ai/catalog/standards/sist/e9b95a7f-87b5-41df-b79a-7296e609cddc/sist-en-4702-02-2018>

EN 4702-02:2017 (E)**1 Scope**

This European Standard describes the compilation of the component system the spring clip pin family for use in fuselage interior equipment and in non-structural or secondary structural area for aerospace applications.

2 Normative references

The following documents are referred to in the text in such a way that some or all of their content constitutes requirements of this document. For dated references, only the edition cited applies. For undated references, the latest edition of the referenced document (including any amendments) applies.

EN 4702-03, *Aerospace series — Quick release fastening systems for non-structural and lining applications — Part 03: Stud — quick-release and locking*

EN 4702-04, *Aerospace series — Quick release fastening systems for non-structural and lining applications — Part 04: Spring clamp*

EN 4702-05, *Aerospace series — Quick release fastening systems for non-structural and lining applications — Part 05: Retaining washer*

EN 10088-3, *Stainless steels — Part 3: Technical delivery conditions for semi-finished products, bars, rods, wire, sections and bright products of corrosion resisting steels for general purposes*

EN 10132-4, *Cold rolled narrow steel strip for heat treatment — Technical delivery conditions — Part 4: Spring steels and other applications*

EN 10151, *Stainless steel strip for springs — Technical delivery conditions*

EN ISO 10683, *Fasteners — Non-electrolytically applied zinc flake coatings (ISO 10683)*

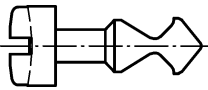
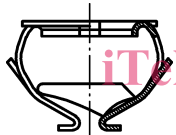
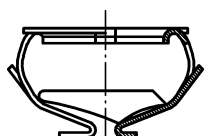
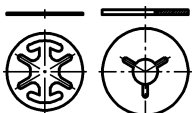
iTeh STANDARD PREVIEW
(standards.iteh.ai)

<https://standards.iteh.ai/catalog/standards/sist/e9b95a7f-87b5-41df-b79a-7290007400/sist-en-4702-02-2018>

3 Representations

Table 1 shows the different components of the quick release fastening systems for non-structural and lining applications including the different family numbers of the standard.

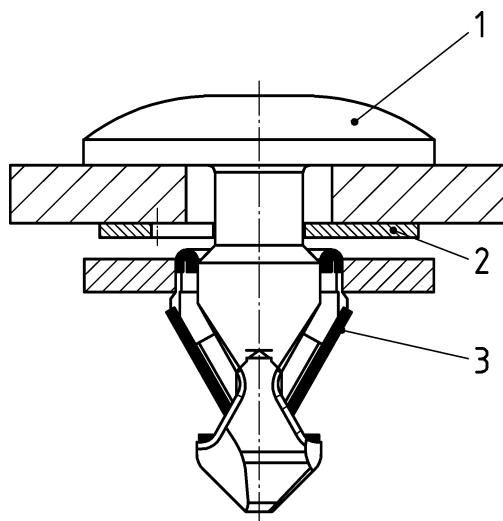
Table 1 — Types

Standard family EN 4702 No.:	Figure	Description Type	Type code	Material code
03		Stud	E F G	A = PA 66 - GF30
04		Spring Clamp	01	A = alloy steel 1.1274, according to EN 10132-4 and surface according to EN ISO 10683 C = stainless steel 1.4310, according to EN 10151
04		Spring Clamp Stud tolerance compensation ↔ shift (left -right)	02	A = alloy steel 1.1274, according to EN 10132-4 and surface according to EN ISO 10683
05		Retaining washer	A B	A = corrosion resistant steel 1.4310, according to EN 10088-3 B = PA 66

EN 4702-02:2017 (E)

4 Example of installation

Figure 1 shows an example of installation.

**Key**

1 stud according to EN 4702-03

2 retaining washer according to EN 4702-05

3 spring clamp according to EN 4702-04

STANDARD PREVIEW
(standards.iteh.ai)

Figure 1 — Example of installation

SIST EN 4702-02:2018

<https://standards.iteh.ai/catalog/standards/sist/e9b95a7f-87b5-41df-b79a-7296e609cddc/sist-en-4702-02-2018>