
Wheelchair seating —

Part 11:

**Determination of perspiration
dissipation characteristics of seat
cushions intended to manage tissue
integrity**

iTeh STANDARD PREVIEW

(standards.iteh.ai)

Sièges de fauteuils roulants —

*Partie 11: Détermination des caractéristiques de dissipation de la
transpiration des coussins de siège censés gérer l'intégrité du tissu*

<https://standards.iteh.ai/catalog/standards/sist/2f40ce97-f04e-4065-87ee-b0abe0d82289/iso-ts-16840-11-2014>



iTeh STANDARD PREVIEW
(standards.iteh.ai)

ISO/TS 16840-11:2014

<https://standards.iteh.ai/catalog/standards/sist/2f40ce97-f04e-4065-87ee-b0abe0d82289/iso-ts-16840-11-2014>



COPYRIGHT PROTECTED DOCUMENT

© ISO 2014

All rights reserved. Unless otherwise specified, no part of this publication may be reproduced or utilized otherwise in any form or by any means, electronic or mechanical, including photocopying, or posting on the internet or an intranet, without prior written permission. Permission can be requested from either ISO at the address below or ISO's member body in the country of the requester.

ISO copyright office
Case postale 56 • CH-1211 Geneva 20
Tel. + 41 22 749 01 11
Fax + 41 22 749 09 47
E-mail copyright@iso.org
Web www.iso.org

Published in Switzerland

Contents

	Page
Foreword.....	iv
Introduction.....	v
1 Scope.....	1
2 Normative references.....	1
3 Terms and definitions.....	1
4 Principle.....	2
5 Test apparatus.....	2
5.1 Perspiration rigid cushion loading indenter (PRCLI).....	2
5.2 Electrical impedance measurement system.....	3
5.3 Test environment.....	3
6 Preparation for testing.....	3
7 Test method.....	3
8 Test report.....	4

iTeh STANDARD PREVIEW (standards.iteh.ai)

[ISO/TS 16840-11:2014](https://standards.iteh.ai/catalog/standards/sist/2f40ce97-f04e-4065-87ee-b0abe0d82289/iso-ts-16840-11-2014)

<https://standards.iteh.ai/catalog/standards/sist/2f40ce97-f04e-4065-87ee-b0abe0d82289/iso-ts-16840-11-2014>

Foreword

ISO (the International Organization for Standardization) is a worldwide federation of national standards bodies (ISO member bodies). The work of preparing International Standards is normally carried out through ISO technical committees. Each member body interested in a subject for which a technical committee has been established has the right to be represented on that committee. International organizations, governmental and non-governmental, in liaison with ISO, also take part in the work. ISO collaborates closely with the International Electrotechnical Commission (IEC) on all matters of electrotechnical standardization.

The procedures used to develop this document and those intended for its further maintenance are described in the ISO/IEC Directives, Part 1. In particular the different approval criteria needed for the different types of ISO documents should be noted. This document was drafted in accordance with the editorial rules of the ISO/IEC Directives, Part 2 (see www.iso.org/directives).

Attention is drawn to the possibility that some of the elements of this document may be the subject of patent rights. ISO shall not be held responsible for identifying any or all such patent rights. Details of any patent rights identified during the development of the document will be in the Introduction and/or on the ISO list of patent declarations received (see www.iso.org/patents).

Any trade name used in this document is information given for the convenience of users and does not constitute an endorsement.

For an explanation on the meaning of ISO specific terms and expressions related to conformity assessment, as well as information about ISO's adherence to the WTO principles in the Technical Barriers to Trade (TBT) see the following URL: Foreword - Supplementary information

The committee responsible for this document is ISO/TC 173, *Assistive products for persons with disability*, Subcommittee SC 1, *Wheelchairs*.

ISO 16840 consists of the following parts, under the general title *Wheelchair seating*:

- *Part 1: Vocabulary, reference axis convention and measures for body segments, posture and postural support surfaces*
- *Part 2: Determination of physical and mechanical characteristics of devices intended to manage tissue integrity — Seat cushions*
- *Part 3: Determination of static, impact and repetitive load strengths for postural support devices*
- *Part 4: Seating systems for use in motor vehicles*
- *Part 6: Simulated use and determination of the changes in properties — Seat cushions*
- *Part 10: Resistance to ignition of non-integrated seat and back support cushions — Requirements and test methods*
- *Part 11: Determination of perspiration dissipation characteristics of seat cushions intended to manage tissue integrity [Technical Specification]*

Introduction

Dissipating perspiration and moisture on seat cushions is important to prevent pressure ulcers, tissue maceration and for comfortable sitting. This part of ISO 16840 specifies a test method for the measurement of the perspiration dissipating characteristics of wheelchair cushions under test conditions that simulate body loading on support surfaces with flat and contoured profiles. The test method is intended to be applicable to a wide variety of seat cushions that are used across the world.

This part of ISO 16840 specifies apparatus to measure dissipation characteristics (of perspiration) of seat cushions and the approach to be employed in measuring these characteristics. It is the intention of ISO/TC 173/SC 1 to further evaluate the outcomes of this test method and their clinical implications with the aim of developing an International Standard on this topic.

iTeh STANDARD PREVIEW (standards.iteh.ai)

[ISO/TS 16840-11:2014](https://standards.iteh.ai/catalog/standards/sist/2f40ce97-f04e-4065-87ee-b0abe0d82289/iso-ts-16840-11-2014)

<https://standards.iteh.ai/catalog/standards/sist/2f40ce97-f04e-4065-87ee-b0abe0d82289/iso-ts-16840-11-2014>

iTeh STANDARD PREVIEW
(standards.iteh.ai)

[ISO/TS 16840-11:2014](https://standards.iteh.ai/catalog/standards/sist/2f40ce97-f04e-4065-87ee-b0abe0d82289/iso-ts-16840-11-2014)

<https://standards.iteh.ai/catalog/standards/sist/2f40ce97-f04e-4065-87ee-b0abe0d82289/iso-ts-16840-11-2014>

Wheelchair seating —

Part 11:

Determination of perspiration dissipation characteristics of seat cushions intended to manage tissue integrity

1 Scope

This part of ISO 16840 specifies a method for determining the dissipation characteristics of simulated perspiration exposure on wheelchair seat cushions.

This part of ISO 16840 is applicable to wheelchair seat cushions that include a cushion cover.

2 Normative references

The following documents, in whole or in part, are normatively referenced in this document and are indispensable for its application. For dated references, only the edition cited applies. For undated references, the latest edition of the referenced document (including any amendments) applies.

ISO 16840-2:2007, *Wheelchair seating — Part 2: Determination of physical and mechanical characteristics of devices intended to manage tissue integrity — Seat cushions*

ISO 554, *Standard atmospheres for conditioning and/or testing — Specifications*

<https://standards.iteh.ai/catalog/standards/sist/2f40ce97-f04e-4065-87ee-b0abe0d82289/iso-ts-16840-11-2014>

3 Terms and definitions

For the purposes of this document, the following terms and definitions apply.

3.1

ischial tuberosity

IT

one of two locations on the inferior surface of the RCLI or PRCLI that corresponds in position to the location of a human ischial tuberosity

3.2

rigid cushion loading indenter

RCLI

cushion loading indenter with a rigid exterior surface contour

Note 1 to entry: Example details of the RCLI are provided in Annex A of ISO 16840-2:2007.

3.3

electrical impedance

complex number ratio of the voltage to the current in an alternating current circuit.

Note 1 to entry: Impedance extends the concept of electrical resistance to the alternating current circuit.

3.4

perspiration rigid cushion loading indenter

PRCLI

rigid cushion loading indenter modified to the specifications of [5.1](#)

4 Principle

Human sensible perspiration in the area between the cushion and buttocks have four possible states: a) existing between a cushion and the buttock (such as with a sealed vinyl cover); b) dissipated into the cushion cover but not into the cushion; c) dissipated more generally into both the cover and cushion; d) drawn away from the cover (which becomes dry) and into the cushion. We can evaluate the dissipation behaviour of the cover/cushion system by measuring the changing impedance at a location of interest over time following a discharge of simulated perspiration into the area between the rigid cushion loading indenter and the cushion.

The testing system has four elements: a) an RCLI simulating temperature, weight, and shape of a loading buttock; b) a discharge system that releases a discrete amount of solution that simulates perspiration; c) a measurement system of the changing impedance associated with changing solution concentration near the electrodes (indirectly indicating the absorption of the cover/cushion); d) a test environment of temperature and humidity.

5 Test apparatus

The following test apparatus is necessary to complete the test method of this part of ISO 16840.

5.1 Perspiration rigid cushion loading indenter (PRCLI)

5.1.1 Shape of PRCLI

The PRCLI is formed from 4 mm ± 1 mm polycarbonate sheet formed according to the specifications for a rigid cushion loading indenter (RCLI) with the inner surface of the shell formed to match the contour specified in ISO 16840-2:2007 Annex A (Figure A.1).

5.1.2 Temperature control on the PRCLI

The PRCLI shall include a means of maintaining the temperature at 27 °C ± 2 °C at the inferior surface of PRCLI.

5.1.3 Loading mechanism

A means to load the cushion through the PRCLI with a vertical force of 500 N ± 10 N as in ISO 16840-2.

5.1.4 Discharge mechanism

A system to discharge 10 ml ± 1 ml of 0,01 % sodium chloride (NaCl) solution within 1 s from a hole 0,2 mm in diameter (see Figure 2) located at the ischial tuberosity of the PRCLI (see Figure 1).

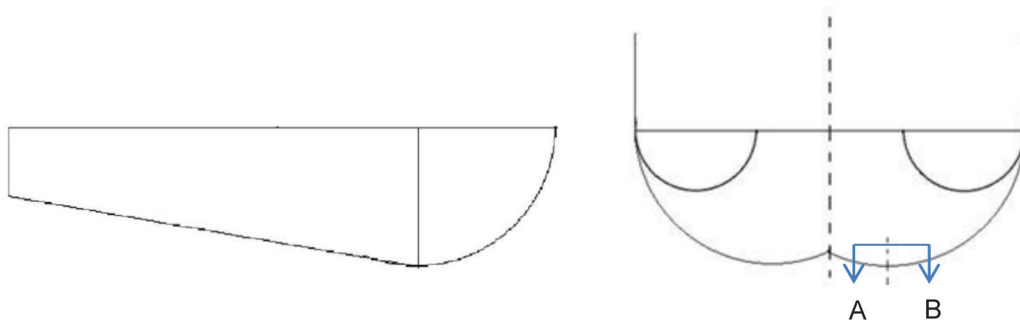
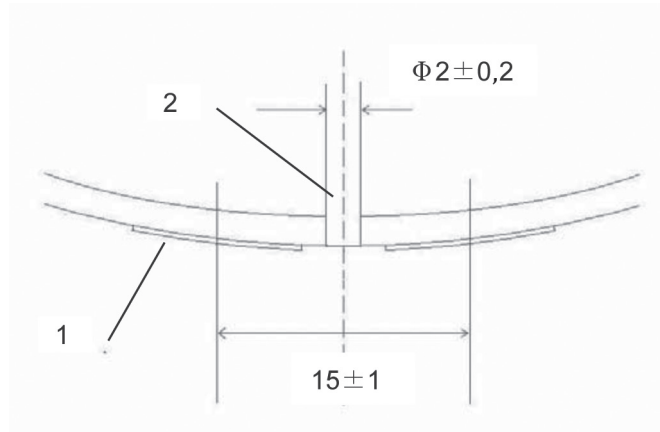


Figure 1 — Drawing of the PRCLI

Dimensions in millimetres

**Key**

- 1 round electrode (see 5.1.5)
- 2 hole for the discharge

Figure 2 — A-B Cross section**5.1.5 Sensing system (see Figure 2)**

The sensing system shall have a pair of equally sized round stainless steel electrodes. The electrode shall be a thin plate with diameter of $10 \text{ mm} \pm 1 \text{ mm}$ and thickness of $0,1 \text{ mm}$, preserving smoothness of the buttock surface. The centre of each electrode shall be $15 \text{ mm} \pm 1 \text{ mm}$ from the centre of the hole as shown in the cross sectional diagram of the PRCLI.

5.2 Electrical impedance measurement system

An electrical impedance measurement system able to measure electrical impedance between the two electrodes, ranging from $0,001 \text{ M}\Omega$ to $1,0 \text{ M}\Omega$, at a sampling rate of 1 Hz .

The electrodes shall be connected to the impedance measurement box external to the PRCLI by appropriately shielded electrical wires to minimize electrical noise from the test environment.

NOTE Alternating current should be selected as the applying current for measurement to prevent electrolysis of the electrodes when in contact with the solution.

5.3 Test environment

A test environment maintained at $23 \text{ }^\circ\text{C} \pm 2 \text{ }^\circ\text{C}$ and $50 \% \pm 5 \%$ relative humidity as specified in ISO 554 and which includes the means to measure and record its temperature and humidity during the test period.

6 Preparation for testing

Precondition the cushion to be tested by holding it in the test environment of $23 \text{ }^\circ\text{C} \pm 2 \text{ }^\circ\text{C}$, and $50 \% \pm 5 \%$ relative humidity for 24 h prior to initiating the test.

7 Test method

7.1 Commence measurement of the impedance with a sampling rate of 1 Hz , with the PRCLI not in contact with the cushion/cover surface.