



**INTERNATIONAL STANDARD ISO 22476-1:2012**  
**TECHNICAL CORRIGENDUM 1**

Published 2013-01-15

INTERNATIONAL ORGANIZATION FOR STANDARDIZATION • МЕЖДУНАРОДНАЯ ОРГАНИЗАЦИЯ ПО СТАНДАРТИЗАЦИИ • ORGANISATION INTERNATIONALE DE NORMALISATION

**Geotechnical investigation and testing — Field testing —**  
**Part 1:**  
**Electrical cone and piezocone penetration test**

TECHNICAL CORRIGENDUM 1

*Reconnaissance et essais géotechniques — Essais en place —*

*Partie 1: Essais de pénétration au cône électrique et au piézocône*

*RECTIFICATIF TECHNIQUE 1*

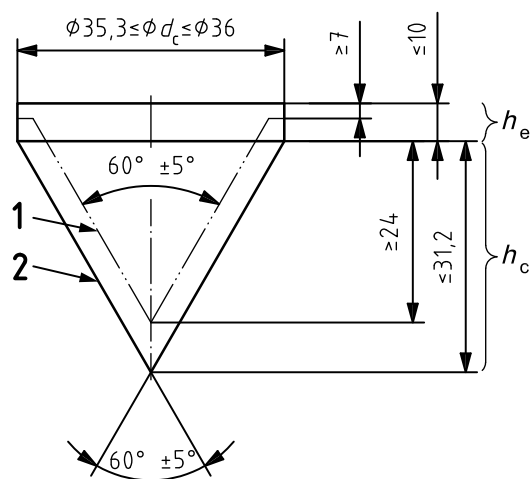
**ITeH STANDARD PREVIEW**  
**(standards.iteh.ai)**

<https://standards.iteh.ai/standards/sist/a0df710-4d41-437c-a62f-9e8e-cd6560/iso-22476-1:2012-cor-1:2013>

Technical Corrigendum 1 to ISO 22476-1:2012 was prepared by Technical Committee ISO/TC 182, *Geotechnics*, Subcommittee SC 1, *Geotechnical investigation and testing*.

Replace Figure 4 with the following:

Dimensions in millimetres



**Key**

- 1 minimum shape of the cone after wear
- 2 maximum shape of the cone

ITih STANDARD PREVIEW  
(standards.iteh.ai)

**Figure 4 — Tolerance requirements for use of 1000 mm<sup>2</sup> cone penetrometer**

ISO 22476-1:2012/Cor 1:2013

<https://standards.iteh.ai/catalog/standards/sist/a0dfc710-4d41-43ac-a62f-9c8eced6560d/iso-22476-1-2012-cor-1-2013>