



SLOVENSKI STANDARD
SIST EN 353-1:2014/oprA1:2017
01-april-2017

Osebna oprema za varovanje pred padci - Drseče naprave za zaustavljanje na vodilu, vključno s sidrnim vodilom - 1. del: Drseče naprave za zaustavljanje na vodilu, vključno s togim sidrnim vodilom

Personal fall protection equipment - Guided type fall arresters including an anchor line - Part 1: Guided type fall arresters including a rigid anchor line

Persönliche Schutzausrüstung gegen Absturz - Mitlaufende Auffanggeräte einschließlich einer Führung - Teil 1: Mitlaufende Auffanggeräte einschließlich fester Führung

Équipement de protection individuelle contre les chutes de hauteur - Antichutes mobiles incluant un support d'assurage - Partie 1 : Antichutes mobiles incluant un support d'assurage rigide

Ta slovenski standard je istoveten z: EN 353-1:2014/prA1:2017

ICS:

13.340.60 Zaščita pred padci in zdrsi Protection against falling and slipping

SIST EN 353-1:2014/oprA1:2017 en,fr,de

EUROPEAN STANDARD
NORME EUROPÉENNE
EUROPÄISCHE NORM

DRAFT
EN 353-1:2014
prA1

January 2017

ICS 13.340.60

English Version

**Personal fall protection equipment - Guided type fall
arresters including an anchor line - Part 1: Guided type fall
arresters including a rigid anchor line**

Équipement de protection individuelle contre les
chutes de hauteur - Antichutes mobiles incluant un
support d'assurance - Partie 1 : Antichutes mobiles
incluant un support d'assurance rigide

Persönliche Schutzausrüstung gegen Absturz -
Mitlaufende Auffanggeräte einschließlich einer
Führung - Teil 1: Mitlaufende Auffanggeräte
einschließlich fester Führung

This draft amendment is submitted to CEN members for enquiry. It has been drawn up by the Technical Committee CEN/TC 160.

This draft amendment A1, if approved, will modify the European Standard EN 353-1:2014. If this draft becomes an amendment, CEN members are bound to comply with the CEN/CENELEC Internal Regulations which stipulate the conditions for inclusion of this amendment into the relevant national standard without any alteration.

This draft amendment was established by CEN in three official versions (English, French, German). A version in any other language made by translation under the responsibility of a CEN member into its own language and notified to the CEN-CENELEC Management Centre has the same status as the official versions.

CEN members are the national standards bodies of Austria, Belgium, Bulgaria, Croatia, Cyprus, Czech Republic, Denmark, Estonia, Finland, Former Yugoslav Republic of Macedonia, France, Germany, Greece, Hungary, Iceland, Ireland, Italy, Latvia, Lithuania, Luxembourg, Malta, Netherlands, Norway, Poland, Portugal, Romania, Slovakia, Slovenia, Spain, Sweden, Switzerland, Turkey and United Kingdom.

Recipients of this draft are invited to submit, with their comments, notification of any relevant patent rights of which they are aware and to provide supporting documentation.

Warning : This document is not a European Standard. It is distributed for review and comments. It is subject to change without notice and shall not be referred to as a European Standard.



EUROPEAN COMMITTEE FOR STANDARDIZATION
COMITÉ EUROPÉEN DE NORMALISATION
EUROPÄISCHES KOMITEE FÜR NORMUNG

CEN-CENELEC Management Centre: Avenue Marnix 17, B-1000 Brussels

Contents

Page

European foreword	3
1 Modification to 5.3.2, "Dynamic performance"	4
2 Modification to 5.3.3, "Cold condition function test"	5

European foreword

This document (EN 353-1:2014/prA1:2017) has been prepared by Technical Committee CEN/TC 160 “Protection against falls from height including working belts”, the secretariat of which is held by DIN.

This document is currently submitted to the CEN Enquiry.

This document has been prepared under a mandate given to CEN by the European Commission and the European Free Trade Association, and supports essential requirements of EU Directive 89/686/EEC.

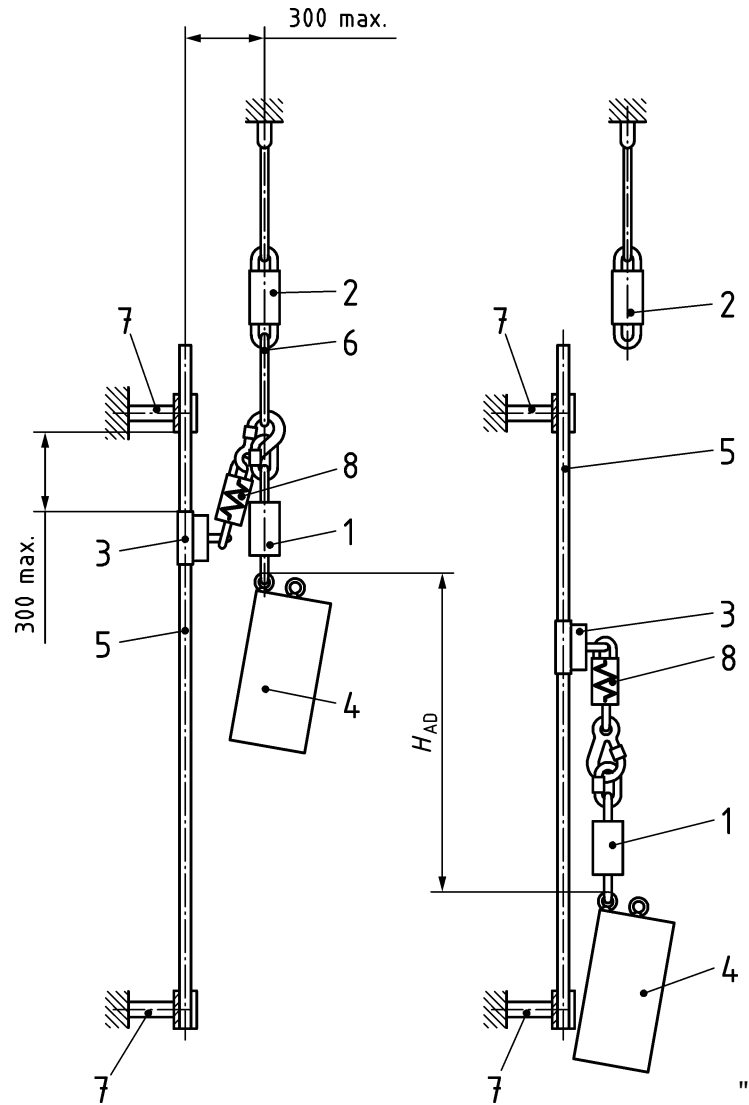
For relationship with EU Directive, see informative Annex ZA of EN 353-1:2014, which is an integral part of this document.

EN 353-1:2014/prA1:2017 (E)

1 Modification to 5.3.2, "Dynamic performance"

In 5.3.2.8, replace Figure 8 with the following figure:

"



2 Modification to 5.3.3, "Cold condition function test"

NOTE Subclause 5.3.3 is amended by the removal of the wet conditioning part within the cold condition test method.

Replace the existing 5.3.3.2 with the following:

"

5.3.3.2 Subject the guided type fall arrester to the lowest temperature claimed by the manufacturer but at least -30°C $\begin{pmatrix} 0 \\ -2 \end{pmatrix}$ $^{\circ}\text{C}$ for a minimum of 4 h.

Remove the guided type fall arrester from the refrigerated chamber and attach it to the rigid anchor line."

Replace the existing 5.3.3.4 with the following:

"

5.3.3.4 Within 90 s of removal from the refrigeration chamber, release the test mass. With the mass at rest measure and record locking distance H_{LD} and arrest distance H_{AD} ."