



SLOVENSKI STANDARD

SIST EN 3155-083:2019

01-november-2019

Nadomešča:

SIST EN 3155-083:2016

**Aeronavtika - Električni kontakti za uporabo v veznih elementih - 083. del:
Kontakti, električni, ženski, tip A, nagubani, razred S, velikost 8 - Standard za
proizvod**

Aerospace series - Electrical contacts used in elements of connection - Part 083:
Contact, electrical, female, type A, crimp, class S, size 8 - Product standard

Luft- und Raumfahrt - Elektrische Kontakte zur Verwendung in Verbindungselementen -
Teil 083: Elektrische Buchsenkontakte, Typ A, crimpbar, Klasse S, Größe 8 -
Produktnorm

Série aérospatiale - Contacts électriques utilisés dans les organes de connexion - Partie
083: Contacts électriques, femelles, type A, à sertir, classe S, taille 8 - Norme de produit

Ta slovenski standard je istoveten z: EN 3155-083:2019

ICS:

49.060	Letalska in vesoljska električna oprema in sistemi	Aerospace electric equipment and systems
--------	---	---

SIST EN 3155-083:2019

en,fr,de

iTeh STANDARD PREVIEW
(standards.iteh.ai)

[SIST EN 3155-083:2019](#)

<https://standards.iteh.ai/catalog/standards/sist/b8f9d7b5-ae43-4ad2-89de-8ae57ee55f40/sist-en-3155-083-2019>

EUROPEAN STANDARD

EN 3155-083

NORME EUROPÉENNE

EUROPÄISCHE NORM

September 2019

ICS 49.060

Supersedes EN 3155-083:2015

English Version

Aerospace series - Electrical contacts used in elements of connection - Part 083: Contact, electrical, female, type A, crimp, class S, size 8 - Product standard

Série aérospatiale - Contacts électriques utilisés dans les organes de connexion - Partie 083: Contacts électriques, femelles, type A, à sertir, classe S, taille 8 - Norme de produit

Luft- und Raumfahrt - Elektrische Kontakte zur Verwendung in Verbindungselementen - Teil 083: Elektrische Buchsenkontakte, Typ A, crimpbar, Klasse S, Größe 8 - Produktnorm

This European Standard was approved by CEN on 3 June 2019.

CEN members are bound to comply with the CEN/CENELEC Internal Regulations which stipulate the conditions for giving this European Standard the status of a national standard without any alteration. Up-to-date lists and bibliographical references concerning such national standards may be obtained on application to the CEN-CENELEC Management Centre or to any CEN member.

This European Standard exists in three official versions (English, French, German). A version in any other language made by translation under the responsibility of a CEN member into its own language and notified to the CEN-CENELEC Management Centre has the same status as the official versions.

CEN members are the national standards bodies of Austria, Belgium, Bulgaria, Croatia, Cyprus, Czech Republic, Denmark, Estonia, Finland, France, Germany, Greece, Hungary, Iceland, Ireland, Italy, Latvia, Lithuania, Luxembourg, Malta, Netherlands, Norway, Poland, Portugal, Republic of North Macedonia, Romania, Serbia, Slovakia, Slovenia, Spain, Sweden, Switzerland, Turkey and United Kingdom.



EUROPEAN COMMITTEE FOR STANDARDIZATION
COMITÉ EUROPÉEN DE NORMALISATION
EUROPÄISCHES KOMITEE FÜR NORMUNG

CEN-CENELEC Management Centre: Rue de la Science 23, B-1040 Brussels

Contents		Page
European foreword		3
1	Scope.....	4
2	Normative references.....	4
3	Terms and definitions	5
4	Required characteristics	5
5	Designation	11
6	Marking.....	11
7	Technical specification	11

iTeh STANDARD PREVIEW
(standards.iteh.ai)

[SIST EN 3155-083:2019](#)

<https://standards.iteh.ai/catalog/standards/sist/b8f9d7b5-ae43-4ad2-89de-8ae57ee55f40/sist-en-3155-083-2019>

European foreword

This document (EN 3155-083:2019) has been prepared by the Aerospace and Defence Industries Association of Europe - Standardization (ASD-STAN).

After enquiries and votes carried out in accordance with the rules of this Association, this Standard has received the approval of the National Associations and the Official Services of the member countries of ASD, prior to its presentation to CEN.

This European Standard shall be given the status of a national standard, either by publication of an identical text or by endorsement, at the latest by March 2020, and conflicting national standards shall be withdrawn at the latest by March 2020.

Attention is drawn to the possibility that some of the elements of this document may be the subject of patent rights. CEN shall not be held responsible for identifying any or all such patent rights.

This document supersedes EN 3155-083:2015.

According to the CEN-CENELEC Internal Regulations, the national standards organisations of the following countries are bound to implement this European Standard: Austria, Belgium, Bulgaria, Croatia, Cyprus, Czech Republic, Denmark, Estonia, Finland, France, Germany, Greece, Hungary, Iceland, Ireland, Italy, Latvia, Lithuania, Luxembourg, Malta, Netherlands, Norway, Poland, Portugal, Republic of North Macedonia, Romania, Serbia, Slovakia, Slovenia, Spain, Sweden, Switzerland, Turkey and the United Kingdom.

ITEH STANDARD PREVIEW
(standards.iteh.ai)

[SIST EN 3155-083:2019](https://standards.iteh.ai/catalog/standards/sist/b8f9d7b5-ae43-4ad2-89de-8ae57ee55f40/sist-en-3155-083-2019)

<https://standards.iteh.ai/catalog/standards/sist/b8f9d7b5-ae43-4ad2-89de-8ae57ee55f40/sist-en-3155-083-2019>

EN 3155-083:2019 (E)**1 Scope**

This document specifies the required characteristics, tests and tooling applicable to female electrical contacts, type A, crimp, class S, size 8, used in elements of connection according to EN 3155-002 (this contact can be fitted in connectors EN 3645 and EN 4165).

It shall be used together with EN 3155-001.

The associated male contacts are defined in EN 3155-065.

The herein specified female contact shall be intermateable and compatible with the interface dimensions of the standard EN 3155-065.

2 Normative references

The following documents are referred to in the text in such a way that some or all of their content constitutes requirements of this document. For dated references, only the edition cited applies. For undated references, the latest edition of the referenced document (including any amendments) applies.

EN 2083, *Aerospace series — Copper or copper alloy conductors for electrical cables — Product standard*

EN 2591(all parts), *Aerospace series — Elements of electrical and optical connection — Test methods*

EN 3155-001, *Aerospace series — Electrical contacts used in elements of connection — Part 001: Technical specification*

EN 3155-002, *Aerospace series — Electrical contacts used in elements of connection — Part 002: List and utilization of contacts*

EN 3155-065, *Aerospace series — Electrical contacts used in elements of connection — Part 065: Contacts, electrical, male, type A, crimp, class S, size 8 — Product standard*

EN 3645-001, *Aerospace series — Connectors, electrical, circular, scoop-proof, triple start threaded coupling, operating temperature 175 °C or 200 °C continuous — Part 001: Technical specification*

EN 4165-001, *Aerospace series — Connectors, electrical, rectangular, modular — Operating temperature 175 °C continuous — Part 001: Technical specification*

EN 4434, *Aerospace series — Copper or copper alloy lightweight conductors for electrical cables — Product standard (Normal and tight tolerances)*

ISO 8843, *Aircraft — Crimp-removable contacts for electrical connectors — Identification system* ¹⁾

SAE-AS22520, *Crimping Tools, Wire Termination, General Specification For* ²⁾

SAE-AS22520/23, *Crimp tools, type 1, terminal, hand or power actuated, wire termination, pneumatic tool for wire barrel sizes 0000 through 8* ²⁾

1) Published by: International Organization for Standardization (ISO), <http://www.iso.ch/>

2) Published by: National (US) Society of Automotive Engineers (SAE), <http://www.sae.org/>

TR 4831, *Aerospace series — Applicable crimping tools for electrical contact product standards EN 3155-065 and EN 3155-083* ³⁾

TR 4865, *Aerospace series — Suitable cable outlet to be mated on connector EN 3645 (layout type: 21R48) for the qualification of electrical contact product standards EN 3155-065 and EN 3155-083* ³⁾

3 Terms and definitions

For the purposes of this standard, the terms and definitions given in EN 3155-001 apply.

ISO and IEC maintain terminological databases for use in standardization at the following addresses:

- IEC Electropedia: available at <http://www.electropedia.org/>
- ISO Online browsing platform: available at <http://www.iso.org/obp>

4 Required characteristics

4.1 Specific characteristics

Type A contacts are for general application and class S corresponds to an operating temperature range from – 65 °C to 200 °C.

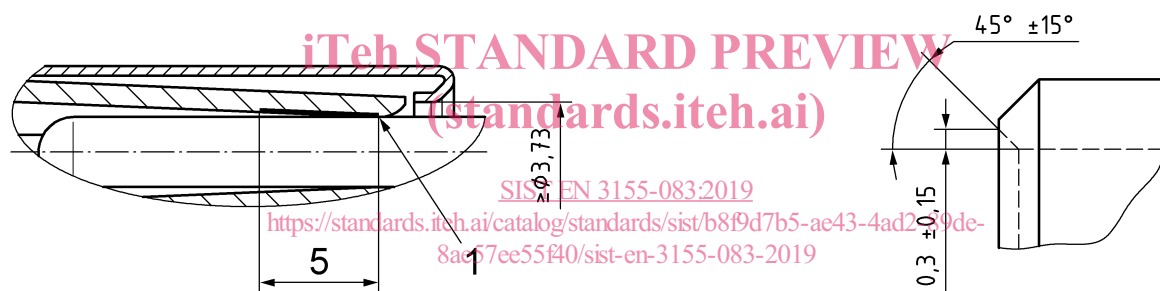
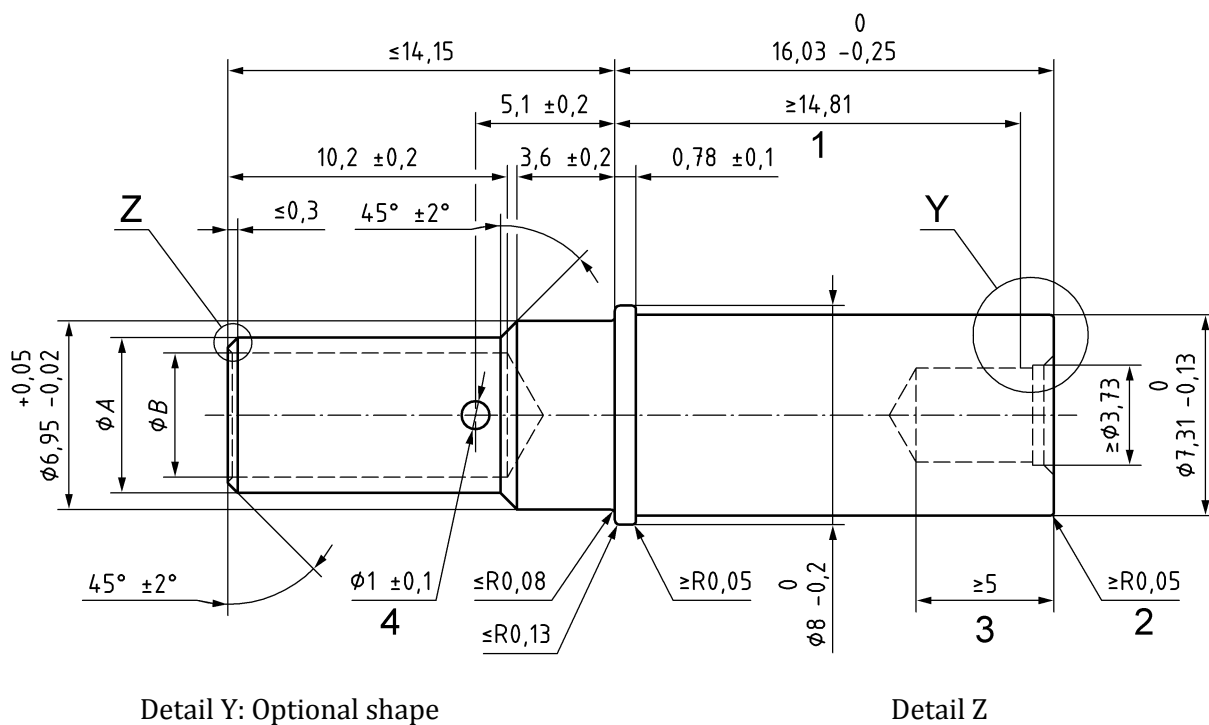
4.2 Dimensions and mass

See Figure 1 and Table 1.

Dimensions and tolerances are given in millimetres and apply after surface treatment.

<https://standards.iteh.ai/catalog/standards/sist/b8f9d7b5-ae43-4ad2-89de-8ae57ee55f40/sist-en-3155-083-2019>

3) Published as ASD-STAN Technical Report at the date of publication of this standard. <http://www.asd-stan.org/>



Key

- 1 Position of the first point and the maximum length of electrical contact (Point at which a square ended minimum gauge pin of the same basic diameter as the mating contact first engages the female contact spring member) (See EN 3155-001 for active area definition)
- 2 Radius or chamfer: 0,05 min. x $45^\circ \pm 15^\circ$ allowed
- 3 This dimension represents the length to allow full pin engagement.
- 4 One side only
- 5 Female active area: See EN 3155-001 for definition

Figure 1

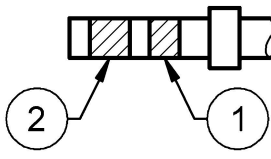
Table 1

Contact	Size		A	B	Mass g max.
	Contact	Barrel			
08	08		5,75	4,60	6,0
			5,65	4,50	
08	10		5,10	3,55	6,0
			5,00	3,45	

4.3 Marking by colour code

See Table 2.

Table 2 — Marking by colour code

Size		Colour identification Band 1 according to ISO 8843	
			
Contact	Barrel	Band 1	Band 2 ^a
08	08	Red	Red
08	10	Red	White

As an alternative, when the two bands colours are the same, one band colour 2 mm minimum width shall be applied

^a The width of the Band 2 shall be twice the width of the Band 1.

4.4 Material, surface treatment

— Body material : copper alloy

— Protective plating : gold an appropriate undercoat, thickness of protection see EN 3155-001, selective protection permitted.

4.5 Permissible cables

See Table 3.

Table 3 — Permissible cables

Size		Size of conductors			Rated test current A
Contact	Barrel	ASD code	Section mm ²	AWG ^a	
08	08	090	8,98	8	46
08	10	051 or 050	5,00	10	33

^a AWG = Closest American Wire Gauge.