



SLOVENSKI STANDARD

SIST EN 1393:1997/AC:1999

01-julij-1999

Cevni sistemi iz polimernih materialov - Cevi iz duromernih materialov, okrepljenih s steklenimi vlakni (GRP) - Ugotavljanje začetnih nateznih lastnosti v vzdolžni smeri

Plastics piping systems - Glass-reinforced thermosetting plastics (GRP) pipes - Determination of initial longitudinal tensile properties

Kunststoff-Rohrleitungssysteme - Rohre aus glasfaserverstärkten duroplastischen Kunststoffen (GFK) - Bestimmung der Anfangs-Zugeigenschaften in Längsrichtung

Systemes de canalisations en plastiques - Tubes en plastiques thermodurcissables renforcés de verre (PRV) - Détermination des propriétés initiales en traction longitudinale

Ta slovenski standard je istoveten z: EN 1393:1996/AC:1997

ICS:

23.040.20	Cevi iz polimernih materialov	Plastics pipes
83.120	Ojačani polimeri	Reinforced plastics

SIST EN 1393:1997/AC:1999 en

iTeh STANDARD PREVIEW
(standards.iteh.ai)

SIST EN 1393:1997/AC:1999

<https://standards.iteh.ai/catalog/standards/sist/d4dfb634-550d-4094-ac31-657d49df807c/sist-en-1393-1997-ac-1999>

EUROPEAN STANDARD

EN 1393:1996/AC

NORME EUROPÉENNE

November 1997

EUROPÄISCHE NORM

Novembre 1997

November 1997

English version
Version Française
Deutsche Fassung

Plastics piping systems - Glass-reinforced thermosetting plastics (GRP)
pipes - Determination of initial longitudinal tensile properties

Systèmes de canalisations en plastiques -
Tubes en plastiques thermodurcissables
renforcés de verre (PRV) - Détermination
des propriétés initiales en traction
longitudinale

Kunststoff-Rohrleitungssysteme - Rohre
aus glasfaserverstärkten duroplastischen
Kunststoffen (GFK) - Bestimmung der
Anfangs-Zugeigenschaften in
Längsrichtung

This corrigendum becomes effective on 6 November 1997 for incorporation in the three official language versions of the EN.

(standards.iteh.ai)

Ce corrigendum prendra effet le 6 novembre 1997 pour incorporation dans les trois versions linguistiques officielles de la EN.

SIST EN 1393:1997/AC:1999

<https://standards.iteh.ai/catalog/standards/sist/d4dfb634-550d-4094-ae31->

Die Berichtigung tritt am 6. November 1997 in Kraft zur Einarbeitung der drei offiziellen Sprachfassungen der EN einzufügen.



EUROPEAN COMMITTEE FOR STANDARDIZATION
COMITÉ EUROPÉEN DE NORMALISATION
EUROPÄISCHES KOMITEE FÜR NORMUNG

Central Secretariat: rue de Stassart, 36 B-1050 Brussels

© 1997 CEN All rights of exploitation in any form and by any means reserved worldwide for CEN national Members.
Tous droits d'exploitation sous quelque forme et de quelque manière que ce soit réservés dans le monde entier aux membres nationaux du CEN.
Alle Rechte der Verwertung, gleich in welcher Form und in welchem Verfahren, sind weltweit den nationalen Mitgliedern von CEN vorbehalten.

Ref. No. EN 1393:1996/AC:1997 D/E/F

English

- 1) In figure 2 in the bottom explanation correct a spelling error to read "**built**" instead of "**build**". Also modify the wording in line with the text in sub-clause 5.2.3 to read: "**Plain or reinforced thermosetting resin built up ends machined flat and parallel, if required**".
- 2) In figure 3 in the bottom explanation correct a spelling error to read "**built**" instead of "**build**". Also modify the wording in line with the text in sub-clause 5.2.3 to read: "**Plain or reinforced thermosetting resin built up ends machined flat and parallel, if required**".
- 3) In figure 6 correct the part of the y-axis to read now " **ΔF_z** " instead of " **ΔF** " to be in line with some of the following equations.

French

- 1) In figure 6 correct the part of the y-axis to read now " **ΔF_z** " instead of " **ΔF** " to be in line with some of the following equations.

iTeh STANDARD PREVIEW
(standards.iteh.ai)

German

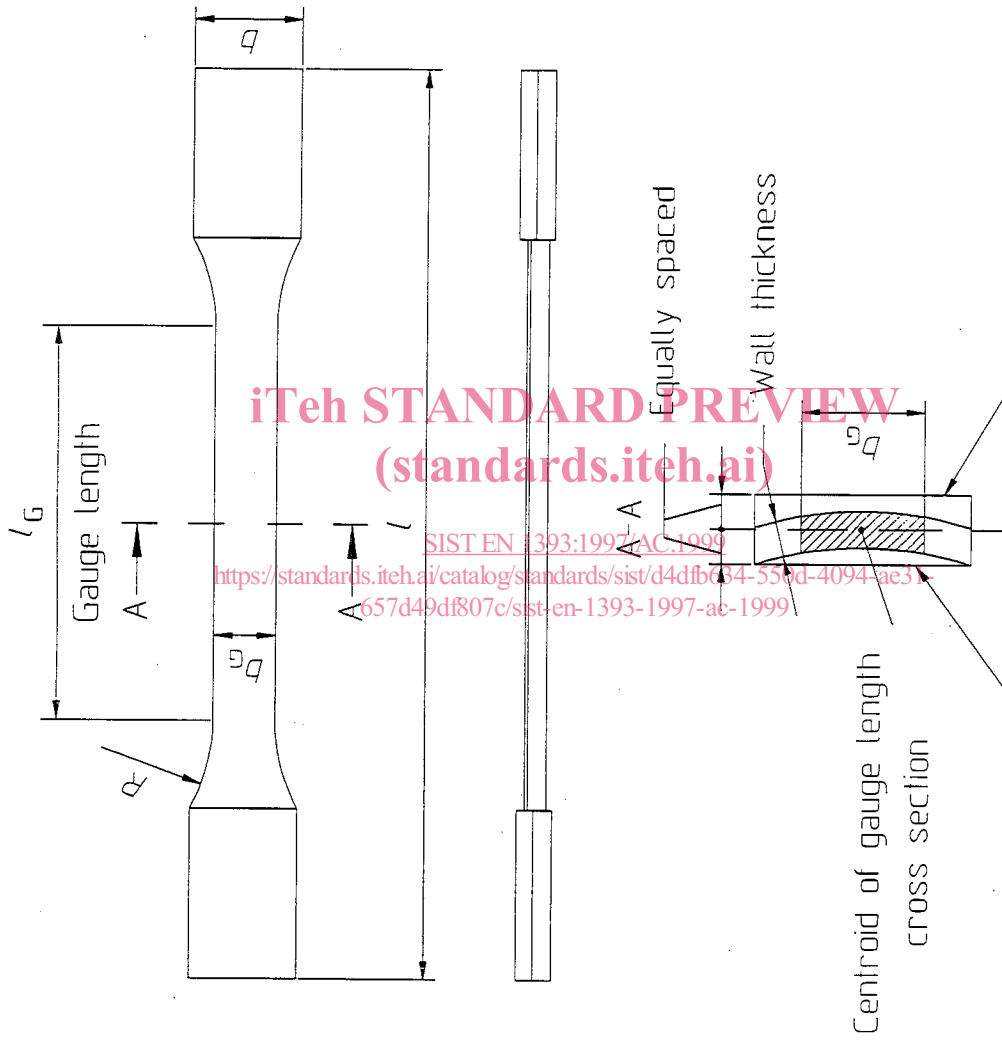
- 1) In figure 6 correct the part of the y-axis to read now " **ΔF_z** " instead of " **ΔF** " to be in line with some of the following equations.

SIST EN 1393:1997/AC:1999
<https://standards.iteh.ai/catalog/standards/sist/d4d1b634-550d-4094-ac31-657d49df807c/sist-en-1393-1997-ac-1999>

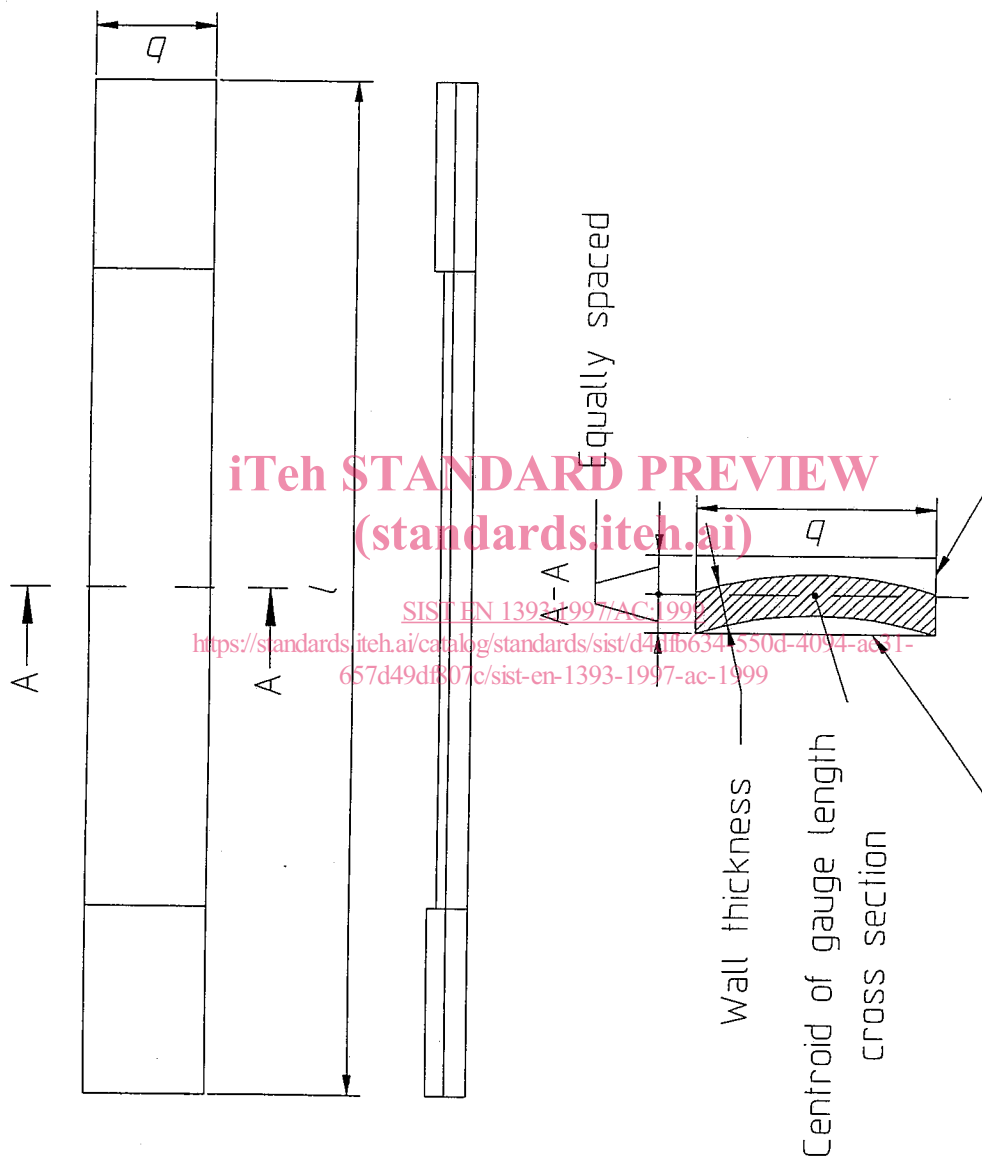


INSTITUT FÜR ANGEWANDTE
TECHNISCHE WISSENSCHAFTEN
AN DER UNIVERSITÄT
DUISBURG ESSEN
VIRGILSTRASSE 1
47057 DUISBURG
TELEFON +49 (0)212 647 1000
FAX +49 (0)212 647 1001
E-MAIL: info@uni-due.de





Plain or reinforced thermosetting resin built up ends
machined flat and parallel, if required



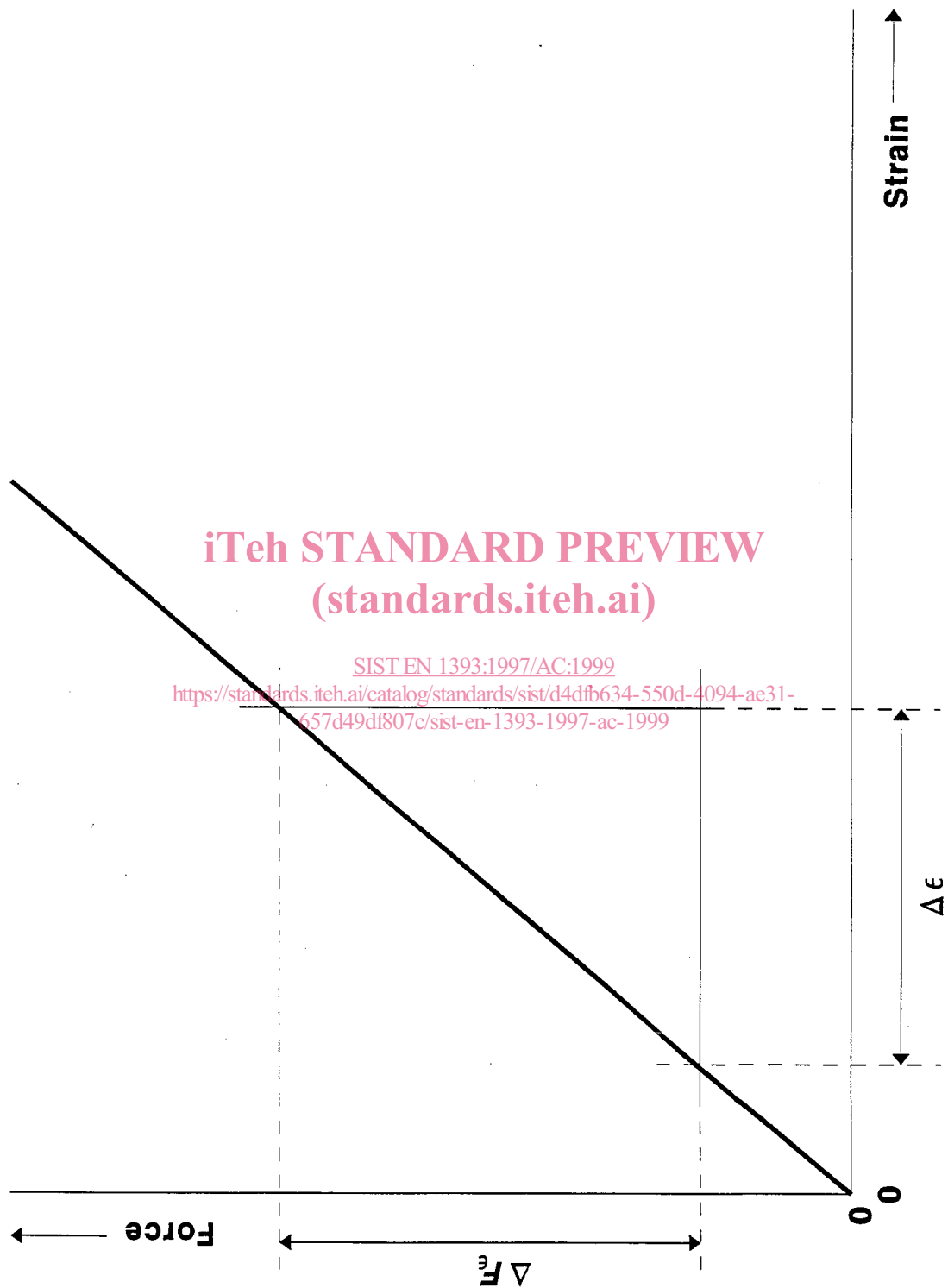
iTeh STANDARD PREVIEW
(standards.iteh.ai)

<https://standards.iteh.ai/catalog/standards/sist/d411b634-550d-4094-ac11-657d49df807c/sist-en-1393-1997-ac-1999>

Plain or reinforced thermosetting resin built up ends
machined flat and parallel, if required

iTeh STANDARD PREVIEW
(standards.iteh.ai)

SIST EN 1393:1997/AC:1999
<https://standards.iteh.ai/catalog/standards/sist/d4dfb634-550d-4094-ac31-657d49df807c/sist-en-1393-1997-ac-1999>



iTeh STANDARD PREVIEW
(standards.iteh.ai)

SIST EN 1393:1997/AC:1999
<https://standards.iteh.ai/catalog/standards/sist/d4dfb634-550d-4094-ac31-657d49df807c/sist-en-1393-1997-ac-1999>

