

**SLOVENSKI STANDARD
SIST EN 3645-010:2019****01-september-2019****Nadomešča:****SIST EN 3645-010:2009**

Aeronavtika - Konektorji, električni, okrogli, zaščiten kontakt, hitra spojka z navojem, stalna delovna temperatura 175 °C ali 200 °C - 010. del: Podloga, hermetična, z okroglo prirobnico, pritrjena z matico - Standard za proizvod

Aerospace series - Connectors, electrical, circular, scoop-proof, triple start threaded coupling, operating temperature 175 °C or 200 °C continuous - Part 010: Receptacle, hermetic, round flange, jam nut mounting - Product standard

ITeH STANDARD PREVIEW

Luft- und Raumfahrt - Elektrische Rundsteckverbinder, kontaktgeschützt, dreigängige Gewinde-Schnellkupplung, Betriebstemperatur 175 °C oder 200 °C konstant - Teil 010: Hermetischer fester Steckverbinder mit Rundflansch und Mutterbefestigung - Produktnorm

<https://standards.iteh.ai/catalog/standards/sist/102429ca-4cf8-4ffb-9db2-95698bfd6399/sist-en-3645-010-2019>

Série aérospatiale - Connecteurs électriques circulaires à contacts protégés, à accouplement par filetage, à pas rapide à trois filets, températures d'utilisation 175 °C ou 200 °C continu - Partie 010 : Embase hermétique à collerette ronde à fixation par écrou - Norme de produit

Ta slovenski standard je istoveten z: EN 3645-010:2019

ICS:

31.220.10	Vtiči in vtičnice, konektorji	Plug-and-socket devices. Connectors
49.060	Letalska in vesoljska električna oprema in sistemi	Aerospace electric equipment and systems

SIST EN 3645-010:2019**en,fr,de**

iTeh STANDARD PREVIEW
(standards.iteh.ai)

SIST EN 3645-010:2019

<https://standards.iteh.ai/catalog/standards/sist/102429ca-4cf8-4ffb-9db2-95698bfd6399/sist-en-3645-010-2019>

EUROPEAN STANDARD

EN 3645-010

NORME EUROPÉENNE

EUROPÄISCHE NORM

June 2019

ICS 49.060

Supersedes EN 3645-010:2006

English Version

Aerospace series - Connectors, electrical, circular, scoop-proof, triple start threaded coupling, operating temperature 175 °C or 200 °C continuous - Part 010: Receptacle, hermetic, round flange, jam nut mounting - Product standard

Série aérospatiale - Connecteurs électriques circulaires à contacts protégés, à accouplement par filetage à pas rapide à trois filets, températures d'utilisation 175 °C ou 200 °C continu - Partie 010 : Embase à collerette ronde, hermétique à fixation par écrou - Norme de produit

Luft- und Raumfahrt - Elektrische Rundsteckverbinder, kontaktgeschützt, drei-gängige Gewinde Schnellkupplung, Dauerbetriebstemperaturen 175 °C oder 200 °C - Teil 010: Fester Steckverbinder, hermetisch, mit Mutterbefestigung - Produktnorm

iTeh STANDARD PREVIEW
(standards.iteh.ai)

This European Standard was approved by CEN on 10 September 2018.

CEN members are bound to comply with the CEN/CENELEC Internal Regulations which stipulate the conditions for giving this European Standard the status of a national standard without any alteration. Up-to-date lists and bibliographical references concerning such national standards may be obtained on application to the CEN-CENELEC Management Centre or to any CEN member.

<https://standards.iteh.ai/catalog/standards/sist/102429ca-4cf8-4ffb-9db2-95698bfd6399/sist-en-3645-010-2019>

This European Standard exists in three official versions (English, French, German). A version in any other language made by translation under the responsibility of a CEN member into its own language and notified to the CEN-CENELEC Management Centre has the same status as the official versions.

CEN members are the national standards bodies of Austria, Belgium, Bulgaria, Croatia, Cyprus, Czech Republic, Denmark, Estonia, Finland, Former Yugoslav Republic of Macedonia, France, Germany, Greece, Hungary, Iceland, Ireland, Italy, Latvia, Lithuania, Luxembourg, Malta, Netherlands, Norway, Poland, Portugal, Romania, Serbia, Slovakia, Slovenia, Spain, Sweden, Switzerland, Turkey and United Kingdom.



EUROPEAN COMMITTEE FOR STANDARDIZATION
COMITÉ EUROPÉEN DE NORMALISATION
EUROPÄISCHES KOMITEE FÜR NORMUNG

CEN-CENELEC Management Centre: Rue de la Science 23, B-1040 Brussels

Contents		Page
European foreword		3
1	Scope.....	4
2	Normative references.....	4
3	Terms and definitions	4
4	Required characteristics	5
5	Designation	9
6	Marking.....	10
7	Technical specification	10

iTeh STANDARD PREVIEW
(standards.iteh.ai)

[SIST EN 3645-010:2019](https://standards.iteh.ai/catalog/standards/sist/102429ca-4cf8-4ffb-9db2-95698bfd6399/sist-en-3645-010-2019)

<https://standards.iteh.ai/catalog/standards/sist/102429ca-4cf8-4ffb-9db2-95698bfd6399/sist-en-3645-010-2019>

European foreword

This document (EN 3645-010:2019) has been prepared by the Aerospace and Defence Industries Association of Europe - Standardization (ASD-STAN).

After enquiries and votes carried out in accordance with the rules of this Association, this Standard has received the approval of the National Associations and the Official Services of the member countries of ASD, prior to its presentation to CEN.

This European Standard shall be given the status of a national standard, either by publication of an identical text or by endorsement, at the latest by December 2019, and conflicting national standards shall be withdrawn at the latest by December 2019.

Attention is drawn to the possibility that some of the elements of this document may be the subject of patent rights. CEN shall not be held responsible for identifying any or all such patent rights.

This document supersedes EN 3645-010:2006.

According to the CEN/CENELEC Internal Regulations, the national standards organizations of the following countries are bound to implement this European Standard: Austria, Belgium, Bulgaria, Croatia, Cyprus, Czech Republic, Denmark, Estonia, Finland, France, Germany, Greece, Hungary, Iceland, Ireland, Italy, Latvia, Lithuania, Luxembourg, Malta, Netherlands, Norway, Poland, Portugal, Romania, Serbia, Slovakia, Slovenia, Spain, Sweden, Switzerland and the United Kingdom.

ITEH STANDARD PREVIEW
(standards.iteh.ai)

[SIST EN 3645-010:2019](https://standards.iteh.ai/catalog/standards/sist/102429ca-4cf8-4ffb-9db2-95698bfd6399/sist-en-3645-010-2019)

<https://standards.iteh.ai/catalog/standards/sist/102429ca-4cf8-4ffb-9db2-95698bfd6399/sist-en-3645-010-2019>

EN 3645-010:2019 (E)**1 Scope**

This European Standard specifies the characteristics of hermetic receptacles with jam nut mounting in the family of circular, electrical connectors, with triple start threaded coupling.

It applies to models in Table 3.

For plugs and protective covers, see EN 3645-006, EN 3645-008, EN 3645-011 and EN 3645-012 respectively.

The contacts are unremovable and soldered termination.

These connectors are derived from and interchangeable with model Y in specification MIL-DTL-38999/23.

2 Normative references

The following documents are referred to in the text in such a way that some or all of their content constitutes requirements of this document. For dated references, only the edition cited applies. For undated references, the latest edition of the referenced document (including any amendments) applies.

EN 3645-001, *Aerospace series — Connectors, electrical, circular, scoop-proof, triple start threaded coupling, operating temperature 175 °C or 200 °C continuous — Part 001: Technical specification*

EN 3645-002, *Aerospace series — Connectors, electrical, circular, scoop-proof, triple start threaded coupling, operating temperature 175 °C or 200 °C continuous — Part 002: Specification of performance and contact arrangements*

EN 3645-006, *Aerospace series — Connectors, electrical, circular, scoop-proof, triple start threaded coupling, operating temperature 175 °C or 200 °C continuous — Part 006: Protective cover for receptacle — Product standard*

EN 3645-008, *Aerospace series — Connectors, electrical, circular, scoop-proof, triple start threaded coupling, operating temperature 175 °C or 200 °C continuous — Part 008: Non release plug with grounding ring — Product standard*

EN 3645-011, *Aerospace series — Connectors, electrical, circular, scoop-proof, triple start threaded coupling, operating temperature 175 °C or 200 °C continuous — Part 011: Lanyard release plug with grounding fingers — Type 1 — Product standard*

EN 3645-012, *Aerospace series — Connectors, electrical, circular, scoop-proof, triple start threaded coupling, operating temperature 175 °C or 200 °C continuous — Part 012: Lanyard release plug with grounding fingers — Type 2 — Product standard*

MIL-DTL-38999/23, *Connectors, electrical, circular, threaded, receptacle, jam-nut mounting, hermetic, hermetic solder contacts, series III, metric*¹⁾

3 Terms and definitions

For the purposes of this document, the terms and definitions given in EN 3645-001 apply.

ISO and IEC maintain terminological databases for use in standardization at the following addresses:

- IEC Electropedia: available at <http://www.electropedia.org/>
- ISO Online browsing platform: available at <http://www.iso.org/obp>

1) Published by: Department of Defense (DOD), The Pentagon, Washington D.C. 20301 USA.

4 Required characteristics

4.1 Dimensions and mass

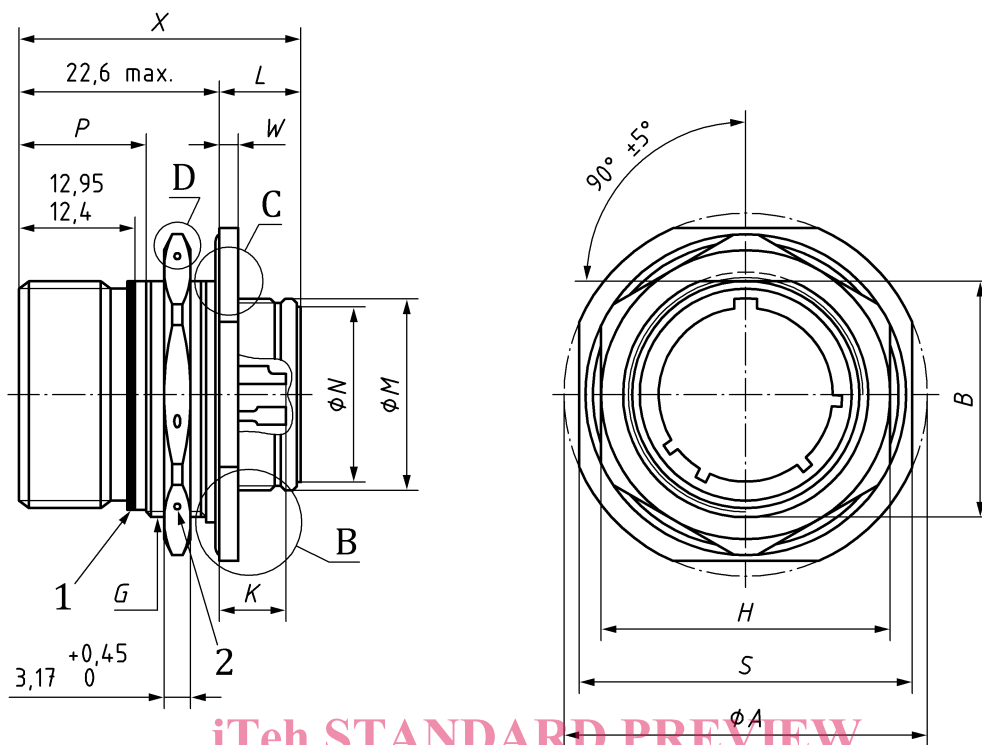
See Figure 1 and Table 1.

iTeh STANDARD PREVIEW
(standards.iteh.ai)

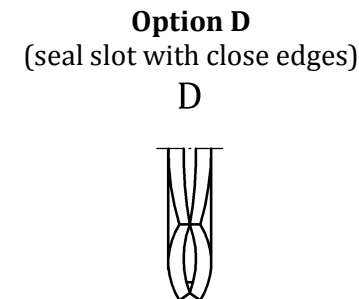
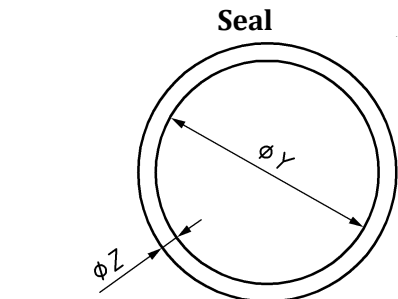
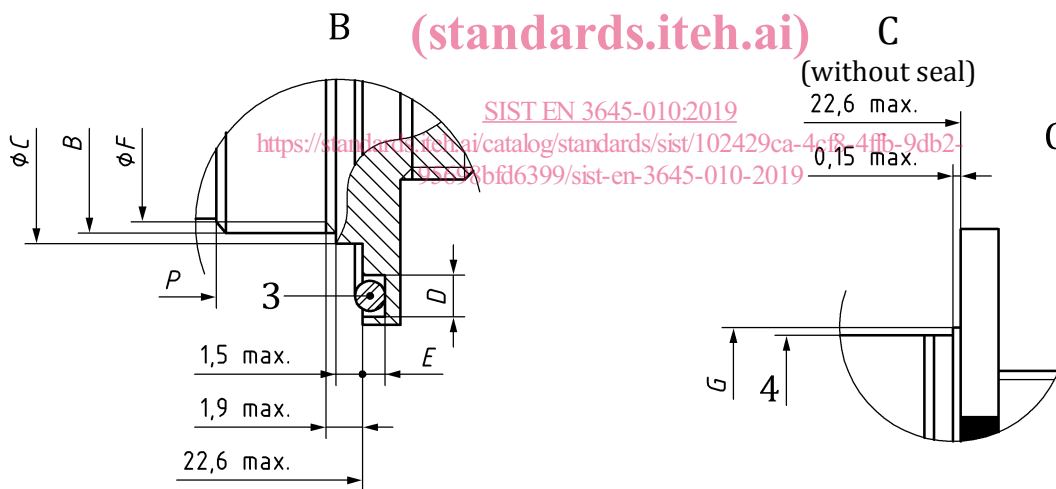
[SIST EN 3645-010:2019](https://standards.iteh.ai/catalog/standards/sist/102429ca-4cf8-4ffb-9db2-95698bfd6399/sist-en-3645-010-2019)

<https://standards.iteh.ai/catalog/standards/sist/102429ca-4cf8-4ffb-9db2-95698bfd6399/sist-en-3645-010-2019>

Dimensions and tolerances are in millimetres.



iTeh STANDARD PREVIEW
(standards.iteh.ai)



Key

- 1 Red strip
- 2 3 holes $\phi 1.5$ min. for brake wire (see option according to Detail D)
- 3 Seal
- 4 B on flat

Figure 1 — Hermetic jam nut receptacle

Table 1 — Hermetic jam nut receptacle - Dimensions

Shell size	A $\pm 0,3$	B Flat $+0,10$ $-0,15$	C ^a $+0,10$ $-0,20$	D $+0,13$ $-0,03$	E $\pm 0,13$	F ^b max.	G Thread	H $24,00$ $21,82$	K max.
09	30,2	16,53	17,40	2,39	1,14	15,9	M17×1 – 6g 0,1 R	24,00 21,82	5,3
11	34,9	19,07	20,60			18,8	M20×1 – 6g 0,1 R	27,00 24,99	
13	38,1	23,82	25,40			23,8	M25×1 – 6g 0,1 R	32,00 29,77	5,1
15	41,3	26,97	28,50			26,8	M28×1 – 6g 0,1 R	36,00 32,91	
17	44,5	30,15	31,85			30,8	M32×1 – 6g 0,1 R ^c	37,00 36,12	
19	49,2	33,32	34,90	3,58	1,91	33,8	M35×1 – 6g 0,1 R	41,00 39,25	
21	52,4	36,50	37,90			36,8	M38×1 – 6g 0,1 R	46,00 42,47	
23	55,6	39,67	41,20			39,8	M41×1 – 6g 0,1 R	50,00 45,61	
25	58,7	42,85	44,40			42,8	M44×1 – 6g 0,1 R	51,23 49,25	

L	M $+0,3$ 0	N $\pm 0,3$	P $+0,4$ $-0,1$	S $\pm 0,4$	W $+0,3$ $-0,1$	X max.	Y $20,50$ $20,19$	Z $1,85$ $1,70$	Mass g max. Stainless steel	
9,10	16,3	15,30	14,1	27,0	29,2	29,2	20,50 20,19	1,85 1,70	34	
9,10	19,4	18,40					31,8		25,27 24,97	41
9,10	22,7	21,60	14,3	34,9	2,6	29,3	28,45 28,14	2,69 2,54	50	
9,10	25,9	24,80					38,1		31,62 31,32	62
9,10	29,0	28,00					41,3		34,80 34,49	83
9,70	32,2	31,20					46,0		37,92 37,62	108
9,70	35,4	34,30					49,2		41,20 40,69	
9,70	38,6	37,50	52,4	44,37 43,86	172					
9,70	41,7	40,70	55,6	47,55 47,04	203					

^a Dimensions C and 1,5 mm shall be compatible with the panel hole.

^b Diameter F corresponds to the start of the thread.

^c Upper diameter modified as follow: 31,95 max. 31,80 min.