



Designation: C1161 – 02c(Reapproved 2008)<sup>ε1</sup>

## Standard Test Method for Flexural Strength of Advanced Ceramics at Ambient Temperature<sup>1</sup>

This standard is issued under the fixed designation C1161; the number immediately following the designation indicates the year of original adoption or, in the case of revision, the year of last revision. A number in parentheses indicates the year of last reapproval. A superscript epsilon ( $\epsilon$ ) indicates an editorial change since the last revision or reapproval.

*This standard has been approved for use by agencies of the Department of Defense.*

<sup>ε1</sup> NOTE—Added research report footnote to Sections 11.3, 11.4, and 11.5 editorially in September 2008.

### 1. Scope

1.1 This test method covers the determination of flexural strength of advanced ceramic materials at ambient temperature. Four-point– $1/4$  point and three-point loadings with prescribed spans are the standard. Rectangular specimens of prescribed cross-section sizes are used with specified features in prescribed specimen–fixture combinations.

1.2 The values stated in SI units are to be regarded as the standard. The values given in parentheses are for information only.

1.3 *This standard does not purport to address all of the safety concerns, if any, associated with its use. It is the responsibility of the user of this standard to establish appropriate safety and health practices and determine the applicability of regulatory limitations prior to use.*

### 2. Referenced Documents

2.1 *ASTM Standards:*<sup>2</sup>

- E4 Practices for Force Verification of Testing Machines
- C1239 Practice for Reporting Uniaxial Strength Data and Estimating Weibull Distribution Parameters for Advanced Ceramics
- C1322 Practice for Fractography and Characterization of Fracture Origins in Advanced Ceramics
- C1368 Test Method for Determination of Slow Crack Growth Parameters of Advanced Ceramics by Constant Stress-Rate Strength Testing at Ambient Temperature
- E337 Test Method for Measuring Humidity with a Psychrometer (the Measurement of Wet- and Dry-Bulb Temperatures)

<sup>1</sup> This test method is under the jurisdiction of ASTM Committee C28 on Advanced Ceramics and is the direct responsibility of Subcommittee C28.01 on Mechanical Properties and Performance.

Current edition approved Jan. 1, 2008. Published January 2008. Originally approved in 1990. Last previous edition approved in 2002 as C1161–02c<sup>ε1</sup>. DOI: 10.1520/C1161-02CR08E01.

<sup>2</sup> For referenced ASTM standards, visit the ASTM website, www.astm.org, or contact ASTM Customer Service at service@astm.org. For *Annual Book of ASTM Standards* volume information, refer to the standard's Document Summary page on the ASTM website.

2.2 *Military Standard:*

MIL-STD-1942 (MR) Flexural Strength of High Performance Ceramics at Ambient Temperature<sup>3</sup>

### 3. Terminology

3.1 *Definitions:*

3.1.1 *complete gage section, n*—the portion of the specimen between the two outer bearings in four-point flexure and three-point flexure fixtures.

NOTE 1—In this standard, the complete four-point flexure gage section is twice the size of the inner gage section. Weibull statistical analysis only includes portions of the specimen volume or surface which experience tensile stresses.

3.1.2 *flexural strength*—a measure of the ultimate strength of a specified beam in bending.

3.1.3 *four-point– $1/4$  point flexure*—configuration of flexural strength testing where a specimen is symmetrically loaded at two locations that are situated one quarter of the overall span, away from the outer two support bearings (see Fig. 1).

3.1.4 *Fully-articulating fixture, n*—a flexure fixture designed to be used either with flat and parallel specimens or with uneven or nonparallel specimens. The fixture allows full independent articulation, or pivoting, of all rollers about the specimen long axis to match the specimen surface. In addition, the upper or lower pairs are free to pivot to distribute force evenly to the bearing cylinders on either side.

NOTE 2—See Annex A1 for schematic illustrations of the required pivoting movements.

NOTE 3—A three-point fixture has the inner pair of bearing cylinders replaced by a single bearing cylinder.

3.1.5 *inert flexural strength, n*—a measure of the strength of specified beam in bending as determined in an appropriate inert condition whereby no slow crack growth occurs.

NOTE 4—An inert condition may be obtained by using vacuum, low

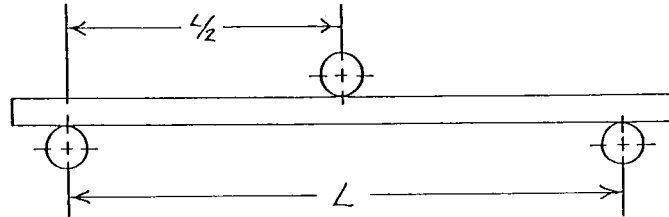
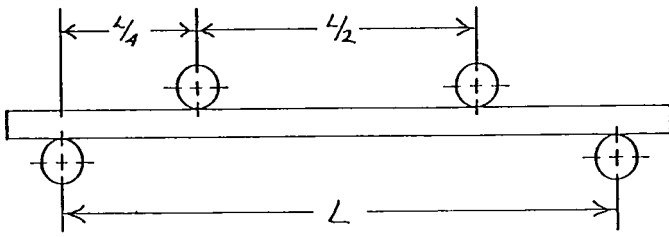
<sup>3</sup> Available from Standardization Documents Order Desk, DODSSP, Bldg. 4, Section D, 700 Robbins Ave., Philadelphia, PA 19111-5098, http://www.dodssp.daps.mil.

temperatures, very fast test rates, or any inert media.

**iTeh Standards**  
**(<https://standards.iteh.ai>)**  
**Document Preview**

[ASTM C1161-02c\(2008\)e1](#)

<https://standards.iteh.ai/catalog/standards/sist/495f3d88-6b02-49dd-a62d-5fc2cf5fe04e/astm-c1161-02c2008e1>



NOTE 1—Configuration:

A:  $L = 20$  mm

B:  $L = 40$  mm

C:  $L = 80$  mm

FIG. 1 The Four-Point- $\frac{1}{4}$  Point and Three-Point Fixture Configuration

3.1.6 *inherent flexural strength,  $n$* —the flexural strength of a material in the absence of any effect of surface grinding or other surface finishing process, or of extraneous damage that may be present. The measured inherent strength is in general a function of the flexure test method, test conditions, and specimen size.

3.1.7 *inner gage section,  $n$* —the portion of the specimen between the inner two bearings in a four-point flexure fixture.

3.1.8 *Semi-articulating fixture,  $n$* —a flexure fixture designed to be used with flat and parallel specimens. The fixture allows some articulation, or pivoting, to ensure the top pair (or bottom pair) of bearing cylinders pivot together about an axis parallel to the specimen long axis, in order to match the specimen surfaces. In addition, the upper or lower pairs are free to pivot to distribute force evenly to the bearing cylinders on either side.

NOTE 5—See Annex A1 for schematic illustrations of the required pivoting movements.

NOTE 6—A three-point fixture has the inner pair of bearing cylinders replaced by a single bearing cylinder.

3.1.9 *slow crack growth (SCG),  $n$* —subcritical crack growth (extension) which may result from, but is not restricted to, such mechanisms as environmentally-assisted stress corrosion or diffusive crack growth.

3.1.10 *three-point flexure*—configuration of flexural strength testing where a specimen is loaded at a location midway between two support bearings (see Fig. 1).

## 4. Significance and Use

4.1 This test method may be used for material development, quality control, characterization, and design data generation

purposes. This test method is intended to be used with ceramics whose strength is 50 MPa (~7 ksi) or greater.

4.2 The flexure stress is computed based on simple beam theory with assumptions that the material is isotropic and homogeneous, the moduli of elasticity in tension and compression are identical, and the material is linearly elastic. The average grain size should be no greater than one fiftieth of the beam thickness. The homogeneity and isotropy assumption in the standard rule out the use of this test for continuous fiber-reinforced ceramics.

4.3 Flexural strength of a group of test specimens is influenced by several parameters associated with the test procedure. Such factors include the loading rate, test environment, specimen size, specimen preparation, and test fixtures. Specimen sizes and fixtures were chosen to provide a balance between practical configurations and resulting errors, as discussed in MIL-STD 1942 (MR) and Refs (1) and (2).<sup>4</sup> Specific fixture and specimen configurations were designated in order to permit ready comparison of data without the need for Weibull-size scaling.

4.4 The flexural strength of a ceramic material is dependent on both its inherent resistance to fracture and the size and severity of flaws. Variations in these cause a natural scatter in test results for a sample of test specimens. Fractographic analysis of fracture surfaces, although beyond the scope of this standard, is highly recommended for all purposes, especially if the data will be used for design as discussed in MIL-STD-1942 (MR) and Refs (2–5) and Practices C1322 and C1239.

4.5 The three-point test configuration exposes only a very small portion of the specimen to the maximum stress. Therefore, three-point flexural strengths are likely to be much greater than four-point flexural strengths. Three-point flexure has some advantages. It uses simpler test fixtures, it is easier to adapt to high temperature and fracture toughness testing, and it is sometimes helpful in Weibull statistical studies. However, four-point flexure is preferred and recommended for most characterization purposes.

4.6 This method determines the flexural strength at ambient temperature and environmental conditions. The flexural strength under ambient conditions may or may not necessarily be the inert flexural strength.

NOTE 7—time dependent effects may be minimized through the use of inert testing atmosphere such as dry nitrogen gas, oil, or vacuum. Alternatively, testing rates faster than specified in this standard may be used. Oxide ceramics, glasses, and ceramics containing boundary phase glass are susceptible to slow crack growth even at room temperature. Water, either in the form of liquid or as humidity in air, can have a significant effect, even at the rates specified in this standard. On the other hand, many ceramics such as boron carbide, silicon carbide, aluminum nitride and many silicon nitrides have no sensitivity to slow crack growth at room temperature and the flexural strength in laboratory ambient conditions is the inert flexural strength.

## 5. Interferences

5.1 The effects of time-dependent phenomena, such as stress corrosion or slow crack growth on strength tests conducted at

<sup>4</sup> The boldface numbers in parentheses refer to the references at the end of this test method.

ambient temperature, can be meaningful even for the relatively short times involved during testing. Such influences must be considered if flexure tests are to be used to generate design data. Slow crack growth can lead a rate dependency of flexural strength. The testing rate specified in this standard may or may not produce the inert flexural strength whereby negligible slow crack growth occurs. See Test Method C1368.

5.2 Surface preparation of test specimens can introduce machining microcracks which may have a pronounced effect on flexural strength. Machining damage imposed during specimen preparation can be either a random interfering factor, or an inherent part of the strength characteristic to be measured. With proper care and good machining practice, it is possible to obtain fractures from the material’s natural flaws. Surface preparation can also lead to residual stresses. Universal or standardized test methods of surface preparation do not exist. It should be understood that final machining steps may or may not negate machining damage introduced during the early course or intermediate machining.

5.3 This test method allows several options for the machining of specimens, and includes a general procedure (“Standard” procedure, 7.2.4), which is satisfactory for many (but certainly not all) ceramics. The general procedure used progressively finer longitudinal grinding steps that are designed to minimize subsurface microcracking. Longitudinal grinding aligns the most severe subsurface microcracks parallel to the specimen tension stress axis. This allows a greater opportunity to measure the inherent flexural strength or “potential strength” of the material as controlled by the material’s natural flaws. In contrast, transverse grinding aligns the severest subsurface machining microcracks perpendicular to the tension stress axis and the specimen is more likely to fracture from the machining microcracks. Transverse-ground specimens in many instances may provide a more “practical strength” that is relevant to machined ceramic components whereby it may not be possible to favorably align the machining direction. Transverse-ground specimens may be tested in accordance with 7.2.2. Data from transverse-ground specimens may correlate better with data from biaxial disk or plate strength tests, wherein machining direction cannot be aligned.

**6. Apparatus**

6.1 *Loading*—Specimens may be loaded in any suitable testing machine provided that uniform rates of direct loading can be maintained. The force-measuring system shall be free of initial lag at the loading rates used and shall be equipped with a means for retaining read-out of the maximum force applied to the specimen. The accuracy of the testing machine shall be in accordance with Practices E4 but within 0.5 %.

6.2 *Four-Point Flexure*—Four-point-¼ point fixtures (Fig. 1) shall have support and loading spans as shown in Table 1.

6.3 *Three-Point Flexure*—Three-point fixtures (Fig. 1) shall have a support span as shown in Table 1.

6.4 *Bearings*—Three- and four-point flexure:

6.4.1 Cylindrical bearing edges shall be used for the support of the test specimen and for the application of load. The cylinders shall be made of hardened steel which has a hardness no less than HRC 40 or which has a yield strength no less than 1240 MPa (~180 ksi). Alternatively, the cylinders may be made of a ceramic with an elastic modulus between 2.0 and 4.0 × 10<sup>5</sup> MPa (30–60 × 10<sup>6</sup> psi) and a flexural strength no less than 275 MPa (~40 ksi). The portions of the test fixture that support the bearings may need to be hardened to prevent permanent deformation. The cylindrical bearing length shall be at least three times the specimen width. The above requirements are intended to ensure that ceramics with strengths up to 1400 MPa (~200 ksi) and elastic moduli as high as 4.8 × 10<sup>5</sup> MPa (70 × 10<sup>6</sup> psi) can be tested without fixture damage. Higher strength and stiffer ceramic specimens may require harder bearings.

6.4.2 The bearing cylinder diameter shall be approximately 1.5 times the beam depth of the test specimen size employed. See Table 2.

6.4.3 The bearing cylinders shall be carefully positioned such that the spans are accurate within ±0.10 mm. The load application bearing for the three-point configurations shall be positioned midway between the support bearing within ±0.10 mm. The load application (inner) bearings for the four-point configurations shall be centered with respect to the support (outer) bearings within ±0.10 mm.

6.4.4 The bearing cylinders shall be free to rotate in order to relieve frictional constraints (with the exception of the middle-load bearing in three-point flexure which need not rotate). This can be accomplished by mounting the cylinders in needle bearing assemblies, or more simply by mounting the cylinders as shown in Fig. 2 and Fig. 3. Annex A1 illustrates the action required of the bearing cylinders. Note that the outer-support bearings roll *outward* and the inner-loading bearings roll *inward*.

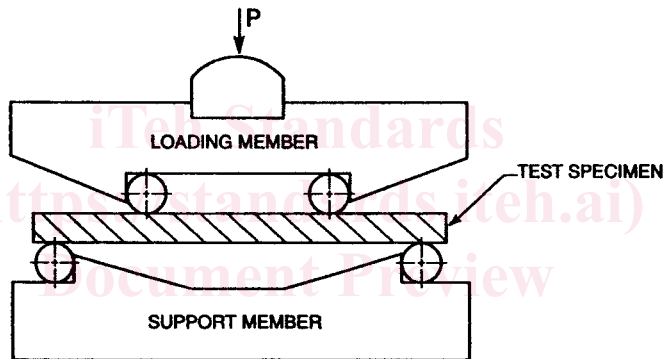
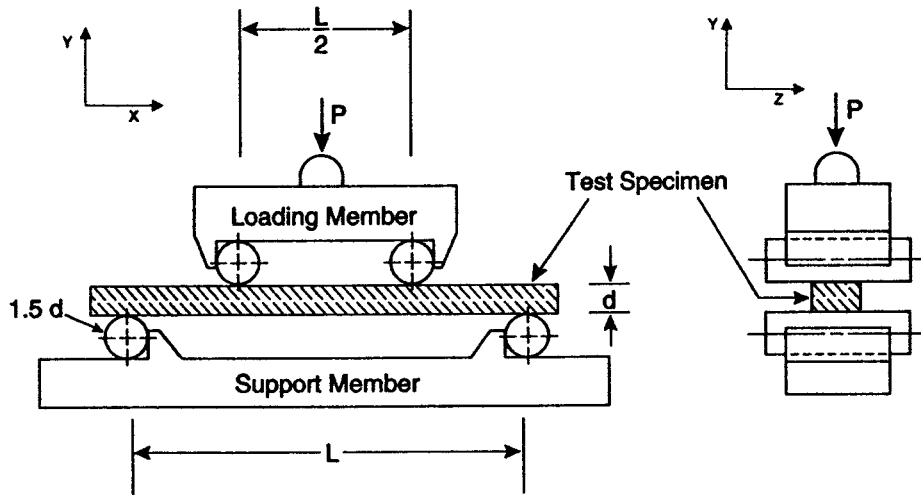
6.5 *Semiarticulating-Four-Point Fixture*—Specimens prepared in accordance with the parallelism requirements of 7.1 may be tested in a semiarticulating fixture as illustrated in Fig. 2 and in Fig. A1.1a. All four bearings shall be free to roll. The two inner bearings shall be parallel to each other to within 0.015 mm over their length and they shall articulate together as a pair. The two outer bearings shall be parallel to each other to within 0.015 mm over their length and they shall articulate together as a pair. The inner bearings shall be supported independently of the outer bearings. All four bearings shall rest uniformly and evenly across the specimen surfaces. The fixture shall be designed to apply equal load to all four bearings.

**TABLE 1 Fixture Spans**

Configuration	Support Span (L), mm	Loading Span, mm
A	20	10
B	40	20
C	80	40

**TABLE 2 Nominal Bearing Diameters**

Configuration	Diameter, mm
A	2.0 to 2.5
B	4.5
C	9.0



NOTE 1—Configuration:

- A:  $L = 20$  mm
- B:  $L = 40$  mm
- C:  $L = 80$  mm

NOTE 2—Load is applied through a ball which permits the loading member to tilt as necessary to ensure uniform loading

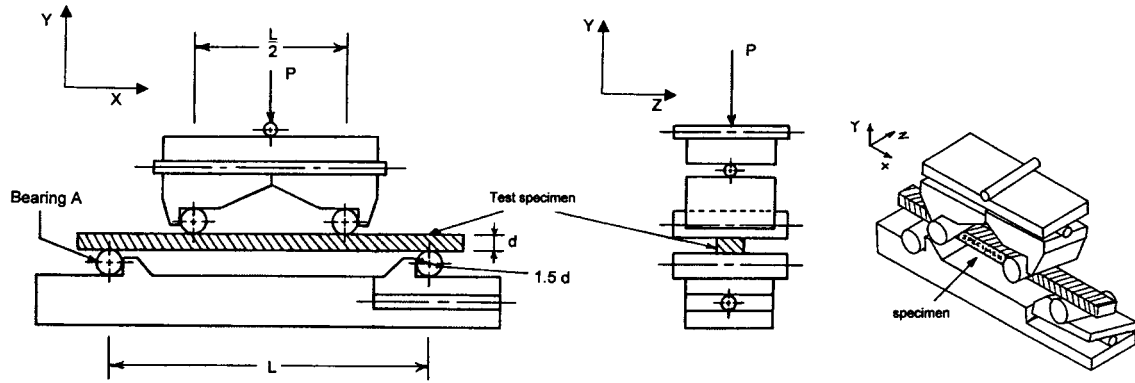
**FIG. 2 Schematics of Two Semiarticulating Four-point Fixtures Suitable for Flat and Parallel Specimens. Bearing Cylinders Are Held in Place by Low Stiffness Springs, Rubber Bands or Magnets**

6.6 *Fully Articulating—Four-point Fixture*—Specimens that are as-fired, heat treated, or oxidized often have slight twists or unevenness. Specimens which do not meet the parallelism requirements of 7.1 shall be tested in a fully articulating fixture as illustrated in Fig. 3 and in Fig. A1.1b. Well-machined specimens may also be tested in fully-articulating fixtures. All four bearings shall be free to roll. One bearing need not articulate. The other three bearings shall articulate to match the specimen's surface. All four bearings shall rest uniformly and evenly across the specimen surfaces. The fixture shall apply equal load to all four bearings.

6.7 *Semi-articulated Three-point Fixture*—Specimens prepared in accordance with the parallelism requirements of 7.1 may be tested in a semiarticulating fixture. The middle bearing shall be fixed and not free to roll. The two outer bearings shall be parallel to each other to within 0.015 mm over their length.

The two outer bearings shall articulate together as a pair to match the specimen surface, or the middle bearing shall articulate to match the specimen surface. All three bearings shall rest uniformly and evenly across the specimen surface. The fixture shall be designed to apply equal load to the two outer bearings.

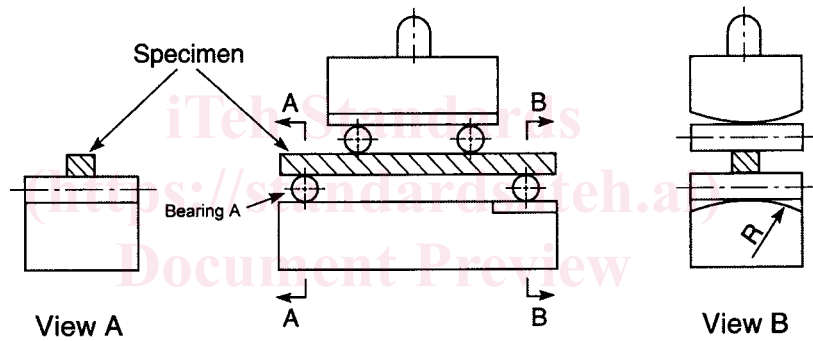
6.8 *Fully-articulated Three-point Flexure*—Specimens that do not meet the parallelism requirements of 7.1 shall be tested in a fully-articulating fixture. Well-machined specimens may also be tested in a fully-articulating fixture. The two support (outer) bearings shall be free to roll outwards. The middle bearing shall not roll. Any two of the bearings shall be capable of articulating to match the specimen surface. All three bearings shall rest uniformly and evenly across the specimen surface. The fixture shall be designed to apply equal load to the two outer bearings.



Note 1:

Configuration	L, mm
A	20
B	40
C	80

Note 2—Bearing A is fixed so that it will not pivot about the x-axis. The other three bearings are free to pivot about the x axis.



NOTE 1—Configuration:

- A: L = 20 mm
- B: L = 40 mm
- C: L = 80 mm

NOTE 2—Bearing A is fixed so that it will not pivot about the x axis. The other three bearings are free to pivot about the x axis.

FIG. 3 Schematics of Two Fully Articulating Four-Point Fixtures Suitable Either for Twisted or Uneven Specimens, or for Flat and Parallel Specimens. Bearing Cylinders Are Held in Place by Low Stiffness Springs, Rubber Bands, or Magnets

6.9 The fixture shall be stiffer than the specimen, so that most of the crosshead travel is imposed onto the specimen.

6.10 *Micrometer*—A micrometer with a resolution of 0.002 mm (or 0.0001 in.) or smaller should be used to measure the test piece dimensions. The micrometer shall have flat anvil faces. The micrometer shall not have a ball tip or sharp tip since these might damage the test piece if the specimen dimensions are measured prior to fracture. Alternative dimension measuring instruments may be used provided that they have a resolution of 0.002 mm (or 0.0001 in.) or finer and do no harm to the specimen.

## 7. Specimen

7.1 *Specimen Size*—Dimensions are given in Table 3 and shown in Fig. 4. Cross-sectional dimensional tolerances are ±0.13 mm for B and C specimens, and ±0.05 mm for A. The parallelism tolerances on the four longitudinal faces are 0.015

TABLE 3 Specimen Size

Configuration	Width (b), mm	Depth (d), mm	Length (L <sub>g</sub> ), min, mm
A	2.0	1.5	25
B	4.0	3.0	45
C	8.0	6.0	90

mm for A and B and 0.03 mm for C. The two end faces need not be precision machined.

7.2 *Specimen Preparation*—Depending upon the intended application of the flexural strength data, use one of the following four specimen preparation procedures:

NOTE 8—This test method does not specify a test piece surface finish. Surface finish may be very misleading since a very ground, lapped, or even polished surface may conceal hidden, beneath the surface cracking damage from rough or intermediate grinding.

7.2.1 *As-Fabricated*—The flexural specimen shall simulate the surface condition of an application where no machining is