



Designation: F 2245 – 08

# Standard Specification for Design and Performance of a Light Sport Airplane<sup>1</sup>

This standard is issued under the fixed designation F 2245; the number immediately following the designation indicates the year of original adoption or, in the case of revision, the year of last revision. A number in parentheses indicates the year of last reapproval. A superscript epsilon ( $\epsilon$ ) indicates an editorial change since the last revision or reapproval.

## 1. Scope

1.1 This specification covers airworthiness requirements for the design of powered fixed wing light sport aircraft, an “airplane.”

1.2 This specification is applicable to the design of a light sport aircraft/airplane as defined by regulations and limited to VFR flight.

1.3 *This standard does not purport to address all of the safety concerns, if any, associated with its use. It is the responsibility of the user of this standard to establish appropriate safety and health practices and determine the applicability of regulatory requirements prior to use.*

## 2. Referenced Documents

2.1 *ASTM Standards:*<sup>2</sup>

F 2316 Specification for Airframe Emergency Parachutes for Light Sport Aircraft

F 2339 Practice for Design and Manufacture of Reciprocating Spark Ignition Engines for Light Sport Aircraft

F 2538 Practice for Design and Manufacture of Reciprocating Compression Ignition Engines for Light Sport Aircraft

2.2 *Federal Aviation Regulations:*<sup>3</sup>

FAR-33 Airworthiness Standards: Aircraft Engines

2.3 *Joint Aviation Requirements:*<sup>4</sup>

JAR-E Engines

JAR-22 Sailplanes and Powered Sailplanes

## 3. Terminology

3.1 *Definitions:*

3.1.1 *flaps*—any movable high lift device.

3.1.2 *maximum empty weight,  $W_E$*  (N)—largest empty weight of the airplane, including all operational equipment that is installed in the airplane: weight of the airframe, powerplant,

required equipment, optional and specific equipment, fixed ballast, full engine coolant and oil, hydraulic fluid, and the unusable fuel. Hence, the maximum empty weight equals maximum takeoff weight minus minimum useful load:  $W_E = W - W_U$ .

3.1.3 *minimum useful load,  $W_U$*  (N)—where  $W_U = W - W_E$ .

3.1.4 *night*—hours between the end of evening civil twilight and the beginning of morning civil twilight.

3.1.4.1 *Discussion*—Civil twilight ends in the evening when the center of the sun’s disc is 6 degrees below the horizon, and begins in the morning when the center of the sun’s disc is 6 degrees below the horizon.

3.2 *Abbreviations:*

3.2.1 *AR*—aspect ratio =  $b^2 / S$

3.2.2 *b*—wing span, (m)

3.2.3 *c*—chord, (m)

3.2.4 *CAS*—calibrated air speed, (m/s, kts)

3.2.5  *$C_L$* —lift coefficient of the airplane

3.2.6  *$C_D$* —drag coefficient of the airplane

3.2.7 *CG*—center of gravity

3.2.8  *$C_m$* —moment coefficient ( $C_m$  is with respect to  $c/4$  point, positive nose up)

3.2.9  *$C_{MO}$* —zero lift moment coefficient

3.2.10  *$C_n$* —normal coefficient

3.2.11 *g*—acceleration as a result of gravity = 9.81 m/s<sup>2</sup>

3.2.12 *IAS*—indicated air speed (m/s, kts)

3.2.13 *ICAO*—International Civil Aviation Organization

3.2.14 *LSA*—light sport aircraft

3.2.15 *MAC*—mean aerodynamic chord (m)

3.2.16 *n*—load factor

3.2.17  *$n_1$* —airplane positive maneuvering limit load factor

3.2.18  *$n_2$* —airplane negative maneuvering limit load factor

3.2.19  *$n_3$* —load factor on wheels

3.2.20 *P*—power, (kW)

3.2.21  *$\rho$* —air density (kg/m<sup>3</sup>) = 1.225 at sea level standard conditions

3.2.22 *POH*—Pilot Operating Handbook

3.2.23 *q*—dynamic pressure (N/m<sup>2</sup>) =  $1/2\rho V^2$

3.2.24 *RC*—climb rate (m/s)

3.2.25 *S*—wing area (m<sup>2</sup>)

3.2.26 *V*—airspeed (m/s, kts)

3.2.27  *$V_A$* —design maneuvering speed

3.2.28  *$V_C$* —design cruising speed

<sup>1</sup> This specification is under the jurisdiction of ASTM Committee F37 on Light Sport Aircraft and is the direct responsibility of Subcommittee F37.20 on Airplane.

Current edition approved Sept. 1, 2008. Published October 2008. Originally approved in 2004. Last previous edition approved in 2007 as F 2245 – 07a.

<sup>2</sup> For referenced ASTM standards, visit the ASTM website, www.astm.org, or contact ASTM Customer Service at service@astm.org. For *Annual Book of ASTM Standards* volume information, refer to the standard’s Document Summary page on the ASTM website.

<sup>3</sup> Available from Federal Aviation Administration (FAA), 800 Independence Ave., SW, Washington, DC 20591, http://www.faa.gov.

<sup>4</sup> Available from Global Engineering Documents, 15 Inverness Way, East Englewood, CO 80112-5704, http://global.ihs.com.

- 3.2.29  $V_D$ —design diving speed
- 3.2.30  $V_{DF}$ —demonstrated flight diving speed ( $V_{DF} \leq V_D$ )
- 3.2.31  $V_F$ —design flap speed
- 3.2.32  $V_{FE}$ —maximum flap extended speed
- 3.2.33  $V_H$ —maximum speed in level flight with maximum continuous power (corrected for sea level standard conditions)
- 3.2.34  $V_{NE}$ —never exceed speed ( $V_H \leq V_{NE} \leq 0.9V_{DF}$ )
- 3.2.35  $V_S$ —stalling speed or minimum steady flight speed at which the airplane is controllable (flaps retracted)
- 3.2.36  $V_{SJ}$ —stalling speed or minimum steady flight speed with the flaps in a specific configuration
- 3.2.37  $V_{SO}$ —stalling speed or minimum steady flight speed at which the airplane is controllable in the landing configuration (flaps fully deployed)
- 3.2.38  $V_{SP}$ —maximum spoiler/speed brake extended speed
- 3.2.39  $V_R$ —ground gust speed
- 3.2.40  $V_X$ —speed for best angle of climb
- 3.2.41  $V_Y$ —speed for best rate of climb
- 3.2.42  $W$ —maximum takeoff or maximum design weight (N)
- 3.2.43  $W_E$ —maximum empty airplane weight (N)
- 3.2.44  $W_U$ —minimum useful load (N)
- 3.2.45  $w$ —average design surface load (N/m<sup>2</sup>)

#### 4. Flight

##### 4.1 Proof of Compliance:

4.1.1 Each of the following requirements shall be met at the most critical weight and CG configuration. Unless otherwise specified, the speed range from stall to  $V_{DF}$  or the maximum allowable speed for the configuration being investigated shall be considered.

4.1.1.1  $V_{DF}$  may be less than or equal to  $V_D$ .

4.1.1.2 If  $V_{DF}$  chosen is less than  $V_D$ ,  $V_{NE}$  must be less than or equal to  $0.9V_{DF}$  and greater than or equal to  $1.1V_C$ .

4.1.2 The following tolerances are acceptable during flight testing:

Weight	+5 %, -10 %
Weight, when critical	+5 %, -1 %
CG	±7 % of total travel

##### 4.2 Load Distribution Limits:

##### 4.2.1 Minimum Useful Load Requirement:

4.2.1.1 For a single-place airplane:

$$W_U = 845 + 3P, (N)$$

where:

$P$  = rated engine power, kW.

4.2.1.2 For a two-place airplane:

$$W_U = 1690 + 3P, (N)$$

where:

$P$  = rated engine power, kW.

4.2.2 Minimum flying weight shall be determined.

NOTE 1—For reference, standard occupant weight = 845 N (190 lb). For the minimum flying weight, standard occupant weight = 534 N (120 lb). Fuel density = 0.72 kg/L (7 N/L; 6 lb/U.S. gal).

4.2.3 Empty CG, most forward, and most rearward CG shall be determined.

4.2.4 Fixed or removable ballast, or both, may be used if properly installed and placarded.

4.3 *Propeller Speed and Pitch Limits*—Propeller configuration shall not allow the engine to exceed safe operating limits established by the engine manufacturer under normal conditions.

4.3.1 Maximum RPM shall not be exceeded with full throttle during takeoff, climb, or flight at  $0.9V_H$ , and 110 % maximum continuous RPM shall not be exceeded during a glide at  $V_{NE}$  with throttle closed.

4.4 *Performance, General*—All performance requirements apply in standard ICAO atmosphere in still air conditions and at sea level. Speeds shall be given in indicated (IAS) and calibrated (CAS) airspeeds.

4.4.1 *Stalling Speeds*—Wing level stalling speeds  $V_{SO}$  and  $V_S$  shall be determined by flight test at a rate of speed decrease of 1 kts/s or less, throttle closed, with maximum takeoff weight, and most unfavorable CG.

4.4.2 *Takeoff*—With the airplane at maximum takeoff weight, full throttle, the following shall be measured using normal takeoff procedures:

NOTE 2—The procedure used for normal takeoff, including flap position, shall be specified within the POH.

4.4.2.1 Ground roll distance to takeoff on a runway with minimal grade.

4.4.2.2 Distance to clear a 15-m (50-ft) obstacle at a climb speed of at least  $1.3V_{SJ}$ .

4.4.3 *Climb*—At maximum takeoff weight, flaps in the position specified for climb within the POH, and full throttle:

4.4.3.1 Rate of climb at  $V_Y$  shall exceed 95 m/min (312 fpm).

4.4.3.2 Climb gradient at  $V_X$  shall exceed  $1/12$ .

4.4.4 *Landing*—For landing with throttle closed and flaps extended, the following shall be determined:

4.4.4.1 Landing distance from 15 m (50 ft) above ground when speed at 15 m (50 ft) is  $1.3V_{SO}$ .

4.4.4.2 Ground roll distance with reasonable braking if so equipped.

4.4.5 *Balked Landing*—The airplane shall demonstrate a full-throttle climb gradient at  $1.3V_{SO}$  which shall exceed  $1/30$  within 5 s of power application from aborted landing. If the flaps may be promptly and safely retracted without loss of altitude and without sudden changes in attitude, they may be retracted.

##### 4.5 Controllability and Maneuverability:

##### 4.5.1 General:

4.5.1.1 The airplane shall be safely controllable and maneuverable during takeoff, climb, level flight (cruise), dive to  $V_{DF}$  or the maximum allowable speed for the configuration being investigated, approach, and landing (power off and on, flaps retracted and extended) through the normal use of primary controls.

4.5.1.2 Smooth transition between all flight conditions shall be possible without exceeding pilot force as shown in **Table 1**.

4.5.1.3 Full control shall be maintained when retracting and extending flaps within their normal operating speed range ( $V_{SO}$  to  $V_{FE}$ ).

**TABLE 1 Pilot Force**

Pilot force as applied to the controls	Pitch, N (lb)	Roll, N (lb)	Yaw, N (lb)
For temporary application (less than 2 min):			
Stick	200 (45)	100 (22.5)	...
Wheel (applied to rim)	200 (45)	100 (22.5)	...
Rudder pedal	...	...	400 (90)
For prolonged application:	23 (5.2)	23 (5.2)	110 (24.7)

4.5.1.4 Lateral, directional, and longitudinal control shall be possible down to  $V_{SO}$ .

#### 4.5.2 Longitudinal Control:

4.5.2.1 With the airplane trimmed as closely as possible for steady flight at  $1.3V_{SI}$ , it must be possible at any speed between  $1.1V_{SI}$  and  $1.3V_{SI}$  to pitch the nose downward so that a speed not less than  $1.3V_{SI}$  can be reached promptly. This must be shown with the airplane in all possible configurations, with simultaneous application of full power and nose down pitch control, and with power at idle.

4.5.2.2 Longitudinal control forces shall increase with increasing load factor.

#### 4.5.3 Directional and Lateral Control:

4.5.3.1 It must be possible to reverse a steady  $30^\circ$  banked coordinated turn through an angle of  $60^\circ$ , from both directions: (1) within 5 s from initiation of roll reversal, with the airplane trimmed as closely as possible to  $1.3V_{SI}$ , flaps in the takeoff position, and maximum takeoff power; and (2) within 4 s from initiation of roll reversal, with the airplane trimmed as closely as possible to  $1.3V_{SO}$ , flaps fully extended, and engine at idle.

4.5.3.2 With and without flaps deployed, rapid entry into, or recovery from, a maximum cross-controlled slip shall not result in uncontrollable flight characteristics.

4.5.3.3 Lateral and directional control forces shall not reverse with increased deflection.

#### 4.5.4 Static Longitudinal Stability:

4.5.4.1 The airplane shall demonstrate the ability to trim for steady flight at speeds appropriate to the climb, cruise, and landing approach configurations; at minimum and maximum weight; and forward and aft CG limits.

4.5.4.2 The airplane shall exhibit positive longitudinal stability characteristics at any speed above  $V_{SI}$ , up to the maximum allowable speed for the configuration being investigated, and at the most critical power setting and CG combination.

4.5.4.3 Stability shall be shown by a tendency for the airplane to return toward trimmed steady flight after: (1) a “push” from trimmed flight that results in a speed increase, followed by a non-abrupt release of the pitch control; and (2) a “pull” from trimmed flight that results in a speed decrease, followed by a non-abrupt release of the pitch control.

4.5.4.4 The airplane shall demonstrate compliance with this section while in trimmed steady flight for each flap and power setting appropriate to the following configurations: (1) climb (flaps set as appropriate and maximum continuous power); (2) cruise (flaps retracted and 75 % maximum continuous power); and (3) approach to landing (flaps fully extended and engine at idle).

4.5.4.5 While returning toward trimmed steady flight, the airplane shall: (1) not decelerate below stalling speed  $V_{SI}$ ; (2)

not exceed  $V_{NE}$  or the maximum allowable speed for the configuration being investigated; and (3) exhibit decreasing amplitude for any long-period oscillations.

#### 4.5.5 Static Directional and Lateral Stability:

4.5.5.1 The airplane must maintain a trimmed condition around the roll and yaw axis with respective controls fixed.

4.5.5.2 The airplane shall exhibit positive directional and lateral stability characteristics at any speed above  $V_{SI}$ , up to the maximum allowable speed for the configuration being investigated, and at the most critical power setting and CG combination.

4.5.5.3 Directional stability shall be shown by a tendency for the airplane to recover from a skid condition after release of the yaw control.

4.5.5.4 Lateral stability shall be shown by a tendency for the airplane to return toward a level-wing attitude after release of the roll control from a slip condition.

4.5.5.5 The airplane shall demonstrate compliance with this section while in trimmed steady flight for each flap and power setting appropriate to the following configurations: (1) climb (flaps as appropriate and maximum continuous power); (2) cruise (flaps retracted and 75 % maximum continuous power); and (3) approach to landing (flaps fully extended and engine at idle).

4.5.6 *Dynamic Stability*—Any oscillations shall exhibit decreasing amplitude within the appropriate speed range ( $V_{SO}$  to  $V_{FE}$  flaps extended and  $V_S$  to  $V_{DF}$  flaps retracted).

4.5.7 *Wings Level Stall*—It shall be possible to prevent more than  $20^\circ$  of roll or yaw by normal use of the controls during the stall and the recovery at all weight and CG combinations.

#### 4.5.8 Turning Flight and Accelerated Stalls:

4.5.8.1 Turning flight and accelerated stalls shall be performed in both directions as follows: after establishing a  $30^\circ$  coordinated turn, the turn shall be tightened until the stall. After the turning stall, level flight shall be regained without exceeding  $60^\circ$  of additional roll in either direction. No excessive loss of altitude, nor tendency to spin, nor speed buildup shall be associated with the recovery. The rate of speed reduction must be constant, and may not exceed 1 kts/s for a turning flight stall, and be 3 to 5 kts/s with steadily increasing load factor for an accelerated stall.

4.5.8.2 Both turning flight and accelerated stalls shall be performed: (1) with flaps retracted, at 75 % maximum continuous power and at idle; and (2) with flaps extended, at 75 % maximum continuous power and at idle (speed not to exceed  $V_{FE}$ ).

#### 4.5.9 Spinning:

4.5.9.1 For airplanes placarded “no intentional spins,” the airplane must be able to recover from a one-turn spin or a 3-s spin, whichever takes longer, in not more than one additional turn, with the controls used in the manner normally used for recovery.

4.5.9.2 For airplanes in which intentional spinning is allowed, the airplane must be able to recover from a three-turn spin in not more than one and one-half additional turn.

4.5.9.3 In addition, for either 4.5.9.1 or 4.5.9.2:

(1) For both the flaps-retracted and flaps-extended conditions, the applicable airspeed limit and limit maneuvering load factor may not be exceeded.

(2) There may be no excessive control forces during the spin or recovery.

(3) It must be impossible to obtain uncontrollable spins with any use of the controls.

(4) For the flaps-extended condition, the flaps may be retracted during recovery.

4.5.9.4 For those airplanes of which the design is inherently spin resistant, such resistance must be proven by test and documented. If proven spin resistant, the airplane must be placarded “no intentional spins” but need not comply with 4.5.9.1-4.5.9.3.

4.6 *Vibrations*—Flight testing shall not reveal, by pilot observation, heavy buffeting (except as associated with a stall), excessive airframe or control vibrations, flutter (with proper attempts to induce it), or control divergence, at any speed from  $V_{SO}$  to  $V_{DF}$ .

4.7 *Ground Control and Stability:*

4.7.1 It must be possible to taxi, takeoff, and land while maintaining control of the airplane, up to the maximum crosswind component specified within the POH.

4.7.2 Wheel brakes must operate so as not to cause unpredictable airplane response or control difficulties.

5. Structure

5.1 *General:*

5.1.1 *Loads:*

5.1.1.1 Strength requirements are specified in terms of limit loads (the maximum loads to be expected in service) and ultimate loads (limit loads multiplied by prescribed factors of safety). Unless otherwise provided, prescribed loads are limit loads.

5.1.1.2 Unless otherwise provided, the air, ground, and water loads must be placed in equilibrium with inertia forces, considering each item of mass in the airplane. These loads must be distributed to conservatively approximate or closely represent actual conditions.

5.1.1.3 If deflections under load would significantly change the distribution of external or internal loads, this redistribution must be taken into account.

5.1.1.4 The simplified structural design criteria given in Appendix X1 may be used for airplanes with conventional configurations. If Appendix X1 is used, the entire appendix must be substituted for the corresponding paragraphs of this subpart, that is, 5.2.1 to 5.7.3. Appendix X2 contains acceptable methods of analysis that may be used for compliance with the loading requirements for the wings and fuselage.

5.1.2 *Factor of Safety:*

5.1.2.1 Unless otherwise provided in 5.1.2.2, an ultimate load factor of safety of 1.5 must be used.

5.1.2.2 Special ultimate load factors of safety shall be applied to the following:

$2.0 \times 1.5 = 3.0$	on castings
$1.2 \times 1.5 = 1.8$	on fittings
$2.0 \times 1.5 = 3.0$	on bearings at bolted or pinned joints subject to rotation
$4.45 \times 1.5 = 6.67$	on control surface hinge-bearing loads except ball and roller bearing hinges

$2.2 \times 1.5 = 3.3$
$1.33 \times 1.5 = 2$

on push-pull control system joints  
on cable control system joints, seat belt/harness fittings  
(including the seat if belt/harness is attached to it)

5.1.3 *Strength and Deformation:*

5.1.3.1 The structure must be able to support limit loads without permanent deformation. At any load up to limit loads, the deformation may not interfere with safe operation.

5.1.3.2 The structure must be able to support ultimate loads without failure for at least 3 s. However, when proof of strength is shown by dynamic tests simulating actual load conditions, the 3-s limit does not apply.

5.1.4 *Proof of Structure*—Each design requirement must be verified by means of conservative analysis or test (static, component, or flight), or both.

5.1.4.1 Compliance with the strength and deformation requirements of 5.1.3 must be shown for each critical load condition. Structural analysis may be used only if the structure conforms to those for which experience has shown this method to be reliable. In other cases, substantiating load tests must be made. Dynamic tests, including structural flight tests, are acceptable if the design load conditions have been simulated. Substantiating load tests should normally be taken to ultimate design load.

5.1.4.2 Certain parts of the structure must be tested as specified in 6.9.

5.2 *Flight Loads:*

5.2.1 *General:*

5.2.1.1 Flight load factors,  $n$ , represent the ratio of the aerodynamic force component (acting normal to the assumed longitudinal axis of the airplane) to the weight of the airplane. A positive flight load factor is one in which the aerodynamic force acts upward, with respect to the airplane.

5.2.1.2 Compliance with the flight load requirements of this section must be shown at each practicable combination of weight and disposable load within the operating limitations specified in the POH.

5.2.2 *Symmetrical Flight Conditions:*

5.2.2.1 The appropriate balancing horizontal tail loads must be accounted for in a rational or conservative manner when determining the wing loads and linear inertia loads corresponding to any of the symmetrical flight conditions specified in 5.2.2 to 5.2.6.

5.2.2.2 The incremental horizontal tail loads due to maneuvering and gusts must be reacted by the angular inertia of the airplane in a rational or conservative manner.

5.2.2.3 In computing the loads arising in the conditions prescribed above, the angle of attack is assumed to be changed suddenly without loss of air speed until the prescribed load factor is attained. Angular accelerations may be disregarded.

5.2.2.4 The aerodynamic data required for establishing the loading conditions must be verified by tests, calculations, or by conservative estimation. In the absence of better information, the maximum negative lift coefficient for rigid lifting surfaces may be assumed to be equal to  $-0.80$ . If the pitching moment coefficient,  $C_{mo}$ , is less than  $\pm 0.025$ , a coefficient of at least  $\pm 0.025$  must be used.

5.2.3 *Flight Envelope*—Compliance shall be shown at any combination of airspeed and load factor on the boundaries of

the flight envelope. The flight envelope represents the envelope of the flight loading conditions specified by the criteria of 5.2.4 and 5.2.5 (see Fig. 1).

5.2.3.1 *General*—Compliance with the strength requirements of this subpart must be shown at any combination of airspeed and load factor on and within the boundaries of a flight envelope similar to the one in Fig. 1 that represents the envelope of the flight loading conditions specified by the maneuvering and gust criteria of 5.2.5 and 5.2.6 respectively.

5.2.3.2 *Maneuvering Envelope*—Except where limited by maximum (static) lift coefficients, the airplane is assumed to be subjected to symmetrical maneuvers resulting in the following limit load factors: (1) the positive maneuvering load factor specified in 5.2.5.1 at speeds up to  $V_D$ ; and (2) the negative maneuvering load factor specified in 5.2.5.2 at speeds up to  $V_D$ .

5.2.3.3 *Gust Envelope*—The airplane is assumed to be subjected to symmetrical vertical gusts in level flight. The resulting limit load factors must correspond to the conditions determined as follows: (1) positive (up) and negative (down) gusts of 15 m/s (49.2 ft/s) at  $V_C$ ; and (2) positive and negative gusts of 7.5 m/s (24.6 ft/s) at  $V_D$  (see Fig. 1).

5.2.4 *Design Airspeeds:*

5.2.4.1 *Design Maneuvering Speed,  $V_A$ :*

$$V_A = V_S \cdot \sqrt{n1}$$

$$V_S = \sqrt{\frac{W}{1.5 \rho C_{LMAX} S}}, (m/s) = 2.484 \sqrt{\frac{W}{C_{LMAX} S}} (kts)$$

where:

$V_S$  = computed stalling speed at the design maximum weight with the flaps retracted, and

$n1$  = positive limit maneuvering load factor used in design.

5.2.4.2 *Design Flap Speed,  $V_F$* —For each landing setting,  $V_F$  must not be less than the greater of: (1)  $1.4 V_S$ , where  $V_S$  is the computed stalling speed with the wing flaps retracted at the

maximum weight; and (2)  $2.0 V_{SO}$ , where  $V_{SO}$  is the computed stalling speed with wing flaps fully extended at the maximum weight.

5.2.4.3 *Design Cruising Speed,  $V_C$* —(1)  $V_C$  in knots may not be less than  $4.77\sqrt{W/S}$ ; and (2)  $V_C$  need not be greater than  $0.9 V_H$  at sea level.

5.2.4.4 *Design Dive Speed,  $V_D$ :*

$$V_D = 1.4 \times V_{Cmin}$$

where:

$V_{Cmin}$  = required minimum cruising speed.

5.2.5 *Limit Maneuvering Load Factors:*

5.2.5.1 The positive limit maneuvering load factor  $n_1$  may not be less than 4.0.

5.2.5.2 The negative limit maneuvering load factor  $n_2$  may not be greater than  $-2.0$ .

5.2.5.3 *Loads with wing flaps extended:* (1) if flaps or other similar high lift devices are used, the airplane must be designed for  $n_1 = 2.0$  with the flaps in any position up to  $V_F$ ; and (2)  $n_2 = 0$ .

5.2.5.4 *Loads with speed control devices:* (1) if speed control devices such as speed brakes or spoilers are used, the airplane must be designed for a positive limit load factor of 3.0 with the devices extended in any position up to the placard device extended speed; and (2) maneuvering load factors lower than those specified in 5.2.5 may be used if the airplane has design features that make it impossible to exceed these in flight.

5.2.6 *Gust Load Factors*—The airplane must be designed for the loads resulting from:

5.2.6.1 The gust velocities specified in 5.2.3.3 with flaps retracted, and

5.2.6.2 Positive and negative gusts of 7.5 m/s (24.6 ft/s) nominal intensity at  $V_F$  with the flaps fully extended.

NOTE 3—In the absence of a more rational analysis, the gust load

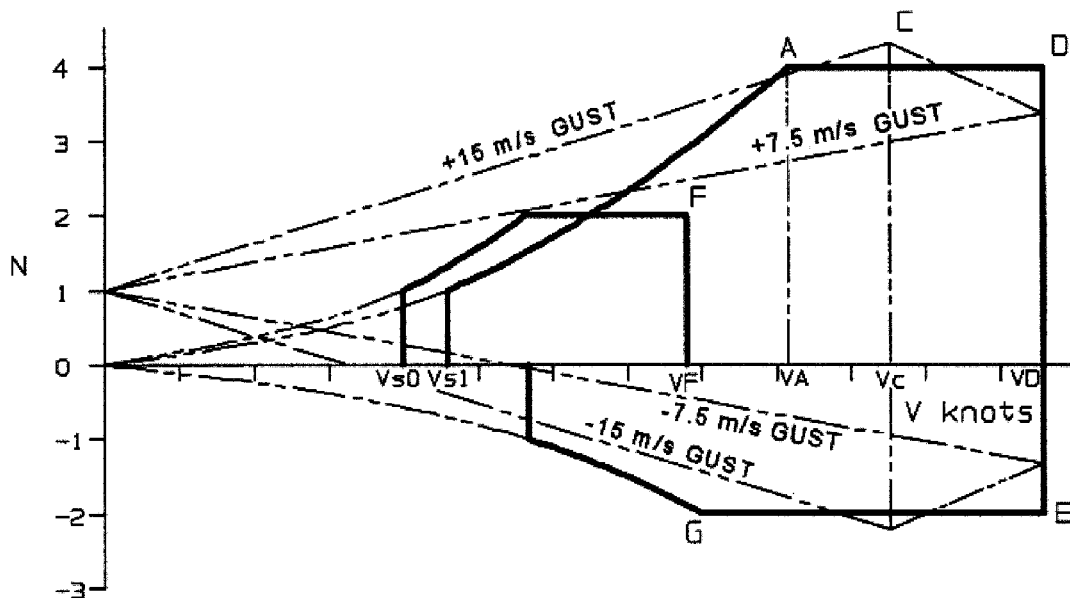


FIG. 1 Flight Envelope

factors may be computed by the method of [Appendix X3](#).

**5.2.7 Unsymmetrical Flight Conditions**—The airplane is assumed to be subjected to the unsymmetrical flight conditions of [5.2.7.1](#) and [5.2.7.2](#). Unbalanced aerodynamic moments about the center of gravity must be reacted in a rational or conservative manner considering the principal masses furnishing the reacting inertia forces.

**5.2.7.1 Rolling Conditions**—The airplane shall be designed for the loads resulting from the roll control deflections and speeds specified in [5.7.1](#) in combination with a load factor of at least two thirds of the positive maneuvering load factor prescribed in [5.2.5.1](#). The rolling accelerations may be obtained by the methods given in [X2.3](#). The effect of the roll control displacement on the wing torsion may be accounted for by the method of [X2.3.2](#) and [X2.3.3](#).

**5.2.7.2 Yawing Conditions**—The airplane must be designed for the yawing loads resulting from the vertical surface loads specified in [5.5](#).

**5.2.8 Special Conditions for Rear Lift Truss:**

**5.2.8.1** If a rear lift truss is used, it must be designed for conditions of reversed air flow at a design speed of:

$$V = 1.26 \sqrt{\frac{W}{S}} + 8.7, \text{ (kts)}$$

where:

$W/S$  = wing loading, N/m<sup>2</sup>.

**5.2.8.2** Either aerodynamic data for the particular wing section used, or a value of  $C_L$  equaling  $-0.8$  with a chord-wise distribution that is triangular between a peak at the trailing edge and zero at the leading edge, must be used.

**5.2.9 Engine Torque**—The engine mount and its supporting structure must be designed for the effects of:

**5.2.9.1** The limit torque corresponding to takeoff power and propeller speed acting simultaneously with 75 % of the limit loads from flight condition of [5.2.5.1](#).

**5.2.9.2** The limit torque corresponding to maximum continuous power and propeller speed acting simultaneously with the limit loads from flight condition of [5.2.5.1](#).

**5.2.9.3** For conventional reciprocating engines with positive drive to the propeller, the limit torque to be accounted for in [5.2.9.1](#) and [5.2.9.2](#) is obtained by multiplying the mean torque by one of the following factors:

For four-stroke engines:

- (1) 1.33 for engines with five or more cylinders; or
- (2) 2, 3, 4, or 8 for engines with four, three, two, or one cylinders, respectively.

For two-stroke engines:

- (1) 2 for engines with three or more cylinders; or
- (2) 3 or 6, for engines with two or one cylinders, respectively.

**5.2.10 Side Load on Engine Mount:**

**5.2.10.1** The engine mount and its supporting structure must be designed for a limit load factor in a lateral direction, for the side load on the engine mount, of not less than 1.5.

**5.2.10.2** The side load prescribed in [5.2.10.1](#) may be assumed to be independent other flight conditions.

**5.2.10.3** If applicable, the nose wheel loads of [5.8.1.7](#) must also be considered.

**5.3 Control Surface and System Loads:**

**5.3.1 Control Surface Loads**—The control surface loads specified in [5.3.3](#) through [5.7.3](#) are assumed to occur in the conditions described in [5.2.2](#) through [5.2.6](#).

**5.3.2 Control System Loads**—Each part of the primary control system situated between the stops and the control surfaces must be designed for the loads corresponding to at least 125 % of the computed hinge moments of the movable control surfaces resulting from the loads in the conditions prescribed in [5.3.1](#) through [5.7.3](#). In computing the hinge moments, reliable aerodynamic data must be used. In no case may the load in any part of the system be less than those resulting from the application of 60 % of the pilot forces described in [5.3.3](#). In addition, the system limit loads need not exceed the loads that can be produced by the pilot. Pilot forces used for design need not exceed the maximum pilot forces prescribed in [5.3.3](#).

**5.3.3 Loads Resulting from Limit Pilot Forces**—The main control systems for the direct control of the airplane about its longitudinal, lateral, or yaw axis, including the supporting points and stops, must be designed for the limit loads resulting from the limit pilot forces as follows:

**5.3.3.1 Pitch**—445 N (100 lb) at the grips of the stick or wheel.

**5.3.3.2 Roll**—180 N (40.5 lb) at the grip(s) of the stick or wheel.

**5.3.3.3 Yaw**—580 N (130 lb) acting forward on one rudder pedal.

**5.3.3.4** The rudder control system must be designed to a load of 580 N (130 lb) per pedal acting simultaneously on both pedals in the forward direction.

**5.3.4 Dual-Control Systems**—Dual-control systems must be designed for the loads resulting from each pilot applying 0.75 times the load specified in [5.3.3](#) with the pilots acting in opposition.

**5.3.5 Secondary Control Systems**—Secondary control systems, such as those for flaps and trim control must be designed for the maximum forces that a pilot is likely to apply.

**5.3.6 Control System Stiffness and Stretch**—The amount of control surface or tab movement available to the pilot shall not be dangerously reduced by elastic stretch or shortening of the system in any condition.

**5.3.7 Ground Gust Conditions**—The control system from the control surfaces to the stops or control locks, when installed, must be designed for limit loads due to gusts corresponding to the following hinge moments:

$$M_S = k \cdot C_S \cdot S_S \cdot q \quad (1)$$

where:

$M_S$  = limit hinge moment,

$C_S$  = mean chord of the control surface aft of the hinge line,

$S_S$  = area of the control surface aft of the hinge line,

$q$  = dynamic pressure corresponding to an airspeed of 38 kts, and

$k$  = limit hinge moment coefficient due to ground gust = 0.75.

**5.3.8 Control Surface Mass Balance Weights**—If applicable shall be designed for:

5.3.8.1 The  $n = 16$  limit load normal to the surface, and  
 5.3.8.2 The  $n = 8$  limit load fore and aft and parallel to the hinge line.

5.3.9 The motion of wing flaps on opposite sides of the plane of symmetry must be synchronized by a mechanical interconnection unless the airplane has safe flight characteristics with the wing flaps retracted on one side and extended on the other.

5.3.10 All primary controls shall have stops within the system to withstand the greater of pilot force, 125 % of surface loads, or ground gust loads (see 5.3.7).

#### 5.4 *Horizontal Stabilizing and Balancing Surfaces:*

##### 5.4.1 *Balancing Loads:*

5.4.1.1 A horizontal stabilizing surface balancing load is the load necessary to maintain equilibrium in any specified flight condition with no pitching acceleration.

5.4.1.2 Horizontal stabilizing surfaces must be designed for the balancing loads occurring at any point on the limit maneuvering envelope and in the air-brake and wing-flap positions specified in 5.2.5.3.

5.4.2 *Maneuvering Loads*—Horizontal stabilizing surfaces must be designed for pilot-induced pitching maneuvers imposed by the following conditions:

5.4.2.1 At speed  $V_A$ , maximum upward deflection of pitch control surface,

5.4.2.2 At speed  $V_A$ , maximum downward deflection of pitch control surface,

5.4.2.3 At speed  $V_D$ , one-third maximum upward deflection of pitch control surface, and

5.4.2.4 At speed  $V_D$ , one-third maximum downward deflection of pitch control surface.

NOTE 4—In 5.4.2, the following assumptions should be made: the airplane is initially in level flight, and its altitude and airspeed do not change. The loads are balanced by inertia forces.

5.4.3 *Gust Loads*—The horizontal stabilizing surfaces must be designed for the loads resulting from:

5.4.3.1 The gust velocities specified in 5.2.3.3 with flaps retracted, and

5.4.3.2 Positive and negative gusts of 7.5 m/s (24.6 ft/s) nominal intensity at  $V_F$  with the flaps fully extended.

NOTE 5—In the absence of a more rational analysis, the horizontal surfaces gust loads may be computed by the method of Appendix X4.

#### 5.5 *Vertical Stabilizing Surfaces:*

5.5.1 *Maneuvering Loads*—The vertical stabilizing surfaces must be designed for maneuvering loads imposed by the following conditions:

5.5.1.1 At speed  $V_A$ , full deflection of the yaw control in both directions.

5.5.1.2 At speed  $V_D$ , one-third full deflection of the yaw control in both directions.

##### 5.5.2 *Gust Loads:*

5.5.2.1 The vertical stabilizing surfaces must be designed to withstand lateral gusts of the values prescribed in 5.2.3.3.

NOTE 6—In the absence of a more rational analysis, the vertical surfaces gust loads may be computed by the method in Appendix X4.2.

##### 5.5.3 *Outboard Fins or Winglets:*

5.5.3.1 If outboard fins or winglets are on the horizontal surfaces or wings, the horizontal surfaces or wings must be designed for their maximum load in combination with loads induced by the fins or winglets and moments or forces exerted on the horizontal surfaces or wings by the fins or winglets.

5.5.3.2 If outboard fins or winglets extend above and below the horizontal surface, the critical vertical surface loading (the load per unit area determined in accordance with 5.5.1 and 5.5.2) must be applied to:

(1) The part of the vertical surface above the horizontal surface with 80 % of that loading applied to the part below the horizontal surface or wing, and

(2) The part of the vertical surface below the horizontal surface or wing with 80 % of that loading applied to the part above the horizontal surface or wing.

5.5.3.3 The end plate effects of outboard fins or winglets must be taken into account in applying the yawing conditions of 5.5.1 and 5.5.2 to the vertical surfaces in 5.5.3.2.

5.5.3.4 When rational methods are used for computing loads, the maneuvering loads of 5.5.1 on the vertical surfaces and the  $n = 1$  horizontal surface or wing load, including induced loads on the horizontal surface or wing and moments or forces exerted on the horizontal surfaces or wing, must be applied simultaneously for the structural loading condition.

#### 5.6 *Supplementary Conditions for Stabilizing Surfaces:*

##### 5.6.1 *Combined Loads on Stabilizing Surfaces:*

5.6.1.1 With the airplane in a loading condition corresponding to A or D in Fig. 1 (whichever condition leads to the higher balance load) the loads on the horizontal surface must be combined with those on the vertical surface as specified in 5.5.1. It must be assumed that 75 % of the loads according to 5.4.2 for the horizontal stabilizing surface and 5.5.1 for the vertical stabilizing surface are acting simultaneously.

5.6.1.2 The stabilizing surfaces and fuselage must be designed for asymmetric loads on the stabilizing surfaces which would result from application of the highest symmetric maneuver loads of 5.4.2 so that 100 % of the horizontal stabilizer surface loading is applied to one side of the plane symmetry and 70 % on the opposite side.

5.6.2 *Additional Loads Applying to V-Tails*—An airplane with a V-tail must be designed for a gust acting perpendicular to one of the surfaces at speed  $V_C$ . This condition is supplemental to the equivalent horizontal and vertical cases previously specified.

##### 5.7 *Ailerons, Wing Flaps, and Special Devices:*

5.7.1 *Ailerons*—The ailerons must be designed for control loads corresponding to the following conditions:

5.7.1.1 At speed  $V_A$ , the full deflection of the roll control.

5.7.1.2 At speed  $V_D$ , one-third of the full deflection of the roll control.

5.7.2 *Flaps*—Wing flaps, their operating mechanisms, and supporting structure must be designed for the critical loads occurring in the flaps-extended operating range with the flaps in any position. The effects of propeller slipstream, corresponding to takeoff power, must be taken into account at an airspeed of not less than  $1.4 V_S$ , where  $V_S$  is the computed stalling speed

with flaps fully retracted at the design weight. For investigating the slipstream effects, the load factor may be assumed to be 1.0.

5.7.3 *Special Devices*—The loadings for special devices using aerodynamic surfaces, such as slots and spoilers, must be determined from test data or reliable aerodynamic data that allows close estimates.

5.8 *Ground Load Conditions:*

5.8.1 *Basic Landing Conditions*—The requirements for the basic landing conditions are given in 5.8.1.1 to 5.8.1.3, Table 2, and Fig. 2.

5.8.1.1 The load factor on the wheels,  $n_j$ , may be computed as follows:

$$n_j = \frac{h + \frac{d}{3}}{ef \times d}$$

where:

- $h$  = drop height, (cm) =  $1.32 \sqrt{W/S}$  with  $W/S$  in  $N/m^2$ , but  $h$  larger than 23 cm (9.1 in.),
- $d$  = total shock absorber travel,  $cm = d_{tire} + d_{shock}$ ,
- $ef$  = shock efficiency, and
- $ef \times d$  =  $0.5 \times d$  for tire and rubber or spring shocks, or  $= 0.5 \times d_{tire} + 0.65 \times d_{shock}$  for hydraulic shock absorbers.

5.8.1.2 If  $n_j$  is larger than 3.33, all concentrated masses (engine, fuel tanks, occupant seats, ballast, etc.) must be substantiated for a limit landing load factor of  $n_j + 0.67 = n$  which is greater than 4.

5.8.1.3 The usual ultimate factor of safety of 1.5 applies to these conditions, unless a drop test from the reserve energy height,  $hr = 1.44h$ , shows that a lower factor may be used. If the shock absorber is of a fast energy absorbing type, the ultimate loads are the limit load multiplied by the conservative reserve energy factor of 1.2.

5.8.1.4 *Side Load Conditions*—The requirements for the side load conditions on the main wheels in a level attitude are given in Fig. 3.

5.8.1.5 *Braked Roll Conditions*—The requirements for the braked roll conditions on the main wheels in a level attitude are given in Fig. 4.

5.8.1.6 *Supplementary Conditions for Tail Wheel*—The requirements for the tail wheel conditions in a tail down attitude are given in Fig. 5.

5.8.1.7 *Supplementary Conditions for Nose Wheel*—The requirements for supplementary conditions for nose wheels are given in Fig. 6 (the static load is at the combination of weight and CG that gives the maximum loads).

5.8.1.8 For the conditions in 5.8.1.4 to 5.8.1.7, the shock absorbers and tires are assumed to be in their static position.

5.9 *Water Load Conditions:*

5.9.1 The structure of seaplanes and amphibians must be designed for water loads developed during takeoff and landing with the airplane in any attitude likely to occur in normal operations at appropriate forward and sinking velocities under the most severe sea conditions likely to be encountered. Unless sufficient satisfactory service experience is available, a rational analysis of the water loads, or the methods specified in Appendix X5 may be used.

5.10 *Emergency Landing Conditions:*

5.10.1 The structure must be designed to protect each occupant during emergency landing conditions when occupants (through seat belts or harnesses, or both) as well as any concentrated weight located behind or above the occupant (such as engine, baggage, fuel, ballast, and so forth), experience the static inertia loads corresponding to the following ultimate load factors (these are three independent conditions):

- 5.10.1.1  $n = 3$  up,
- 5.10.1.2  $n = 9$  ( $n = 10$  for engines) forward, and
- 5.10.1.3  $n = 1.5$  lateral.

5.11 *Other Loads:*

5.11.1 *(Tie-Down Points)*—Tie-down points shall be designed for the maximum wind at which the airplane may be tied down in the open.  $V_R = 38$  kts minimum as in accordance with 5.3.7 may be used.

TABLE 2 Basic Landing Conditions

NOTE 1— $K = 0.25$

$L = \frac{2}{3}$  = ratio of the assumed wing lift to the airplane weight

$n = n_j + \frac{2}{3}$  = load factor

$n_j$  = load factor on wheels in accordance with 5.8.1

NOTE 2—See Fig. 2 for the airplane landing conditions.

Condition	Tail Wheel Type			Nose Wheel Type	
	Level Landing	Tail-down Landing	Level Landing with Inclined Reactions	Level Landing with Nose Wheel Just Clear of Ground	Tail-Down Landing
Vertical component at CG	nW	nW	nW	nW	nW
Fore and aft component at CG	KnW	0	KnW	KnW	0
Lateral component in either direction at CG	0	0	0	0	0
Shock absorber deflection (rubber or spring shock absorber), %	100 %	100 %	100 %	100 %	100 %
Tire deflection	Static	Static	Static	Static	Static
Main wheel loads ( $V_j$ )	(n-L)W	(n-L)Wb/d	(n-L)Wa/d'	(n-L)W	(n-L)W
(both wheels) ( $D_j$ )	KnW	0	KnWa'/d'	KnW	0
Tail (nose) wheels ( $V_j$ )	0	(n-L)Wa/d	(n-L)Wb'/d'	0	0
Loads ( $D_j$ )	0	0	KnWb'/d'	0	0



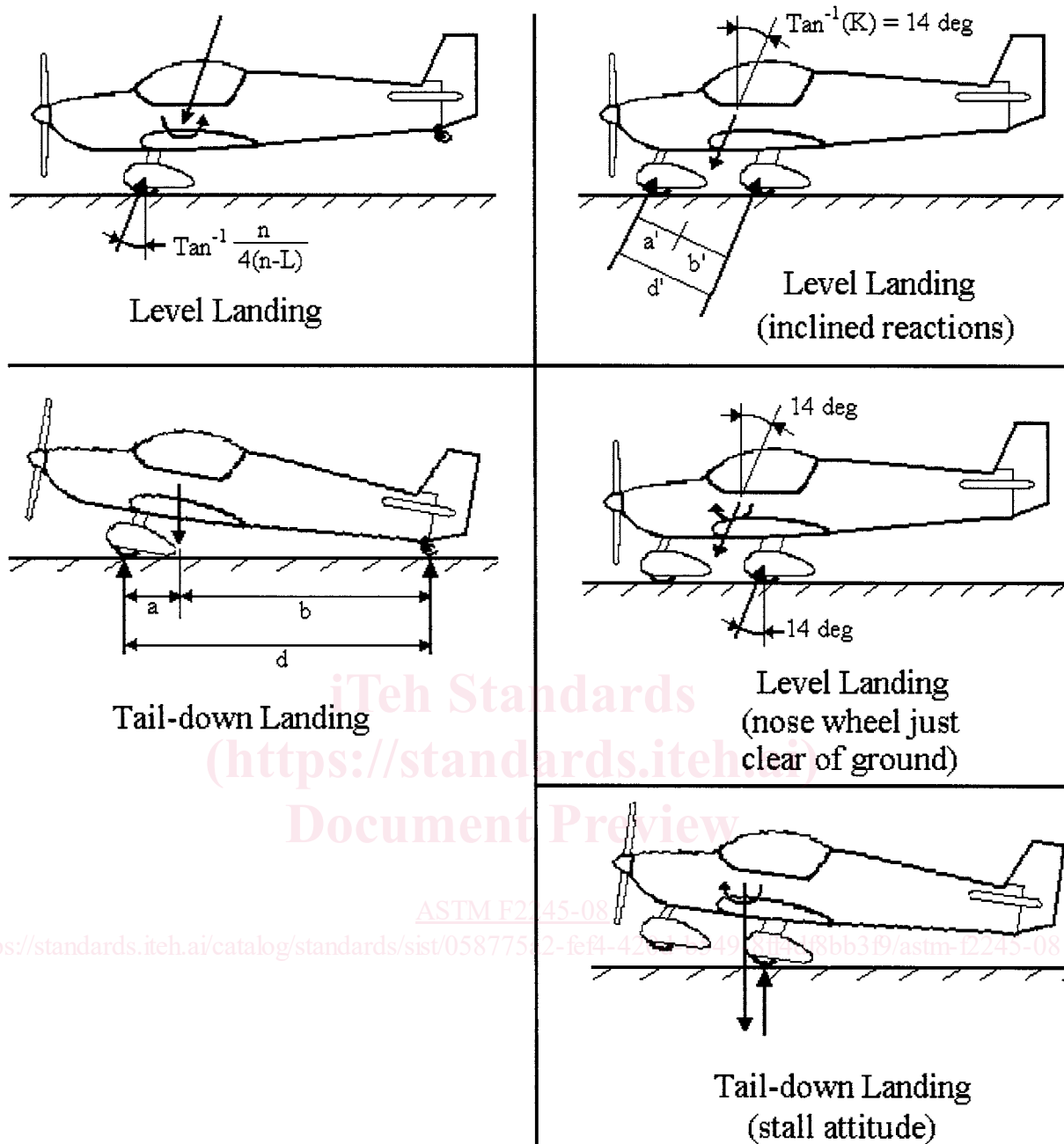


FIG. 2 Basic Landing Conditions

5.11.2 *Parachute System Loads*—If the aircraft is to be equipped with an emergency parachute system (Ballistic Recovery System), the attachment point(s) to the airframe must be designed in accordance with Specification F 2316.

5.11.3 *Loads from Single Masses*—The attachment means for all single masses which are part of the equipment for the airplane must be designed to withstand loads corresponding to the maximum design load factors to be expected from the established flight and ground loads.

## 6. Design and Construction

6.1 *General*—The integrity of any novel or unusual design feature having an important bearing on safety shall be established by test.

6.2 *Materials*—Materials shall be suitable and durable for the intended use. Design values (strength) must be chosen so that no structural part is under strength as a result of material variations or load concentration, or both.

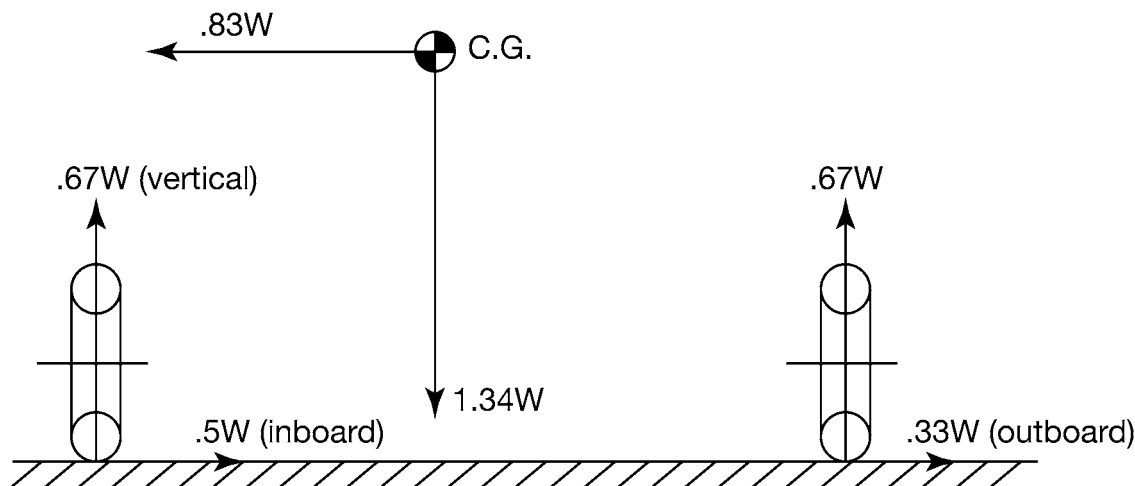


FIG. 3 Side Load Conditions

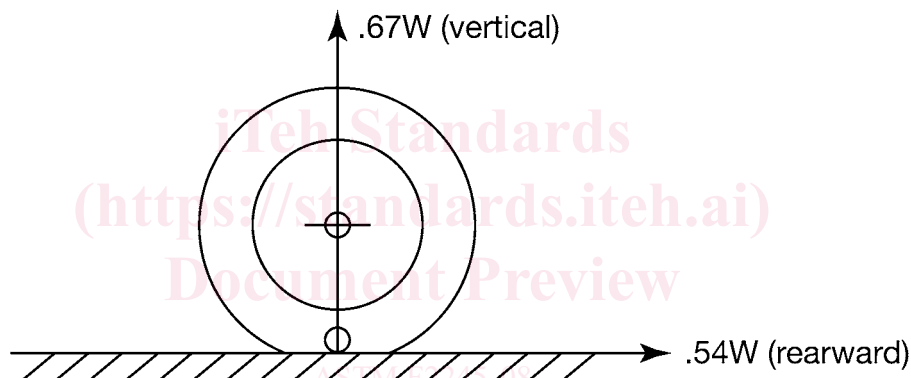


FIG. 4 Braked Roll Conditions

6.3 *Fabrication Methods*—Manufactured parts, assemblies, and completed airplanes shall be produced in accordance with the manufacturer’s quality assurance and production acceptance test procedures.

6.4 *Self-Locking Nuts*—No self-locking nut shall be used on any bolt subject to rotation in operation unless a nonfriction locking device is used in addition to the self-locking device.

6.5 *Protection of Structure*—Protection of the structure against weathering, corrosion, and wear, as well as suitable ventilation and drainage, shall be provided as required.

6.6 *Accessibility*—Accessibility for critical structural elements and control system inspection, adjustment, maintenance, and repair shall be provided.

6.7 *Rigging*—Unless specified otherwise, rigging and de-rigging must be able to be performed by persons having no more than average skill. It must be possible to inspect the airplane easily for correct rigging and safe-tying.

6.8 *Proof of Design*—Fulfillment of the design requirements for the airplane shall be determined by conservative analysis, or tests, or a combination of both. Structural analysis alone may be used for validation of the structural requirements only

if the structure conforms to those for which experience has shown this method to be reliable. Flight tests to limit load factors at maximum takeoff weight and at speeds from  $V_A$  to the maximum allowable speed for the configuration being investigated are an acceptable proof (see 5.1.3 and 5.1.4).

6.9 *Control System-Operation Test*—It must be shown by functional tests that the control system installed on the airplane is free from interference, jamming, excessive friction, and excessive deflection when the control system design loads (see 5.3) are applied to the controls and the surfaces. The control system stops must withstand those loads.

6.10 *Pilot Compartment*:

6.10.1 Pilot comfort, appropriate visibility (instruments, placards, and outside), accessibility, ability to conduct an emergency escape, and ability to reach all controls for smooth and positive operation shall be provided.

6.10.2 Occupant seat belts, harnesses, and baggage restraints, and their attachments to the structure shall be designed for the maximum load factors corresponding to the specified ground and flight conditions including the emergency landing conditions prescribed in 5.10.