
**Technical product documentation
(TPD) — Presentation of dimensions
and tolerances —**

**Part 1:
General principles**

iTeh STANDARD PREVIEW
*Documentation technique de produits — Représentation des
dimensions et tolérances —
(standards.iteh.ai)
Partie 1: Principes généraux*

[ISO 129-1:2018](https://standards.iteh.ai/catalog/standards/sist/064b1072-265a-4281-ad72-4cc0b8f9e3ce/iso-129-1-2018)

<https://standards.iteh.ai/catalog/standards/sist/064b1072-265a-4281-ad72-4cc0b8f9e3ce/iso-129-1-2018>



iTeh STANDARD PREVIEW
(standards.iteh.ai)

ISO 129-1:2018

<https://standards.iteh.ai/catalog/standards/sist/064b1072-265a-4281-ad72-4cc0b8f9e3ce/iso-129-1-2018>



COPYRIGHT PROTECTED DOCUMENT

© ISO 2018

All rights reserved. Unless otherwise specified, or required in the context of its implementation, no part of this publication may be reproduced or utilized otherwise in any form or by any means, electronic or mechanical, including photocopying, or posting on the internet or an intranet, without prior written permission. Permission can be requested from either ISO at the address below or ISO's member body in the country of the requester.

ISO copyright office
CP 401 • Ch. de Blandonnet 8
CH-1214 Vernier, Geneva
Phone: +41 22 749 01 11
Fax: +41 22 749 09 47
Email: copyright@iso.org
Website: www.iso.org

Published in Switzerland

Contents

	Page
Foreword	v
Introduction	vi
1 Scope	1
2 Normative references	1
3 Terms and definitions	2
4 Presentation of dimensions	3
4.1 Presentation rules.....	3
4.1.1 Dimensions.....	3
4.1.2 Repeated dimensions.....	3
4.1.3 Out of scale dimensions.....	3
4.1.4 Auxiliary dimensions.....	3
4.1.5 Theoretically exact dimensions.....	3
4.1.6 Symmetrical dimensions.....	4
4.1.7 Characters and presentation.....	4
4.2 Positioning of dimensions.....	4
4.3 Units of dimensions.....	6
5 Elements of dimensioning — Usage	6
5.1 General.....	6
5.2 Property indicators.....	7
5.3 Dimension line.....	8
5.4 Terminators and origin presentation.....	11
5.4.1 Terminators.....	11
5.4.2 Origin presentation.....	12
5.5 Extension line.....	13
5.6 Leader line.....	17
5.7 Dimensional values.....	17
5.7.1 Presentation.....	17
5.7.2 Placement of dimensional values and symbols.....	17
5.7.3 Special placement of dimensional values and symbols.....	19
5.8 Alpha numerical characters and symbols representing dimensional values.....	20
5.8.1 Alpha numerical characters representing dimensional values.....	20
5.8.2 Symbols added to dimensional values.....	21
5.9 Tabular dimensioning.....	21
5.10 Complementary indication.....	22
6 Presentation of dimensional tolerances	22
6.1 General.....	22
6.2 Limit deviations.....	22
6.3 Limit dimensioning.....	24
7 Presentation of special dimensions	24
7.1 Arrangement of graphical and letter symbols with dimensional values.....	24
7.2 Diameters.....	26
7.3 Radii.....	26
7.3.1 General.....	26
7.3.2 Dimension location of radius centre.....	27
7.3.3 Semicircle features.....	28
7.3.4 Combined radii presentation.....	28
7.4 Spheres.....	29
7.5 Between.....	29
7.6 Arcs, chords and angles.....	30
7.7 Squares.....	32
7.8 Equally spaced and repeated features.....	33
7.8.1 Equally spaced features.....	33

7.8.2	Repeated features	35
7.8.3	Tabulated repeated features	36
7.9	Symmetrical workpieces and views	37
7.10	Presentation of levels	39
7.11	Dimensions of out-of-scale represented features	40
7.12	Auxiliary dimensions	40
7.13	Theoretical exact dimensions	40
7.14	Dimensioning of curved features	40
7.14.1	Curved features defined by radii	40
7.14.2	Curved features defined by coordinate dimensions	41
7.15	Dimensioning of developed views	43
7.16	Dimensioning of thin parts	43
7.16.1	Thickness indication	43
7.16.2	Surface indication	44
7.17	Dimensioning of restricted areas	45
7.17.1	General Rules	45
7.17.2	Dimensioning of restricted areas on surfaces of revolution	45
7.17.3	Dimensioning of restricted areas on other than surfaces of revolution	46
8	Arrangements of dimensions	47
8.1	General	47
8.2	Chain dimensioning	47
8.3	Parallel dimensioning	47
8.4	Running dimensioning	48
8.4.1	General	48
8.4.2	Unidirectional and bidirectional running dimensions	48
8.5	Coordinate dimensioning	52
8.5.1	Cartesian coordinate dimensioning	52
8.5.2	Polar coordinate dimensioning	54
8.6	Combined dimensioning	55
9	Notes and special notations	56
9.1	Flag notes	56
9.2	Indication of textual instructions	58
	Annex A (normative) Relations and dimensions of graphical symbols	60
	Annex B (informative) Chamfers, countersinks, wedges, cones and screw threads	64
	Annex C (informative) Former practice	67
	Bibliography	68

Foreword

ISO (the International Organization for Standardization) is a worldwide federation of national standards bodies (ISO member bodies). The work of preparing International Standards is normally carried out through ISO technical committees. Each member body interested in a subject for which a technical committee has been established has the right to be represented on that committee. International organizations, governmental and non-governmental, in liaison with ISO, also take part in the work. ISO collaborates closely with the International Electrotechnical Commission (IEC) on all matters of electrotechnical standardization.

The procedures used to develop this document and those intended for its further maintenance are described in the ISO/IEC Directives, Part 1. In particular, the different approval criteria needed for the different types of ISO documents should be noted. This document was drafted in accordance with the editorial rules of the ISO/IEC Directives, Part 2 (see www.iso.org/directives).

Attention is drawn to the possibility that some of the elements of this document may be the subject of patent rights. ISO shall not be held responsible for identifying any or all such patent rights. Details of any patent rights identified during the development of the document will be in the Introduction and/or on the ISO list of patent declarations received (see www.iso.org/patents).

Any trade name used in this document is information given for the convenience of users and does not constitute an endorsement.

For an explanation on the voluntary nature of standards, the meaning of ISO specific terms and expressions related to conformity assessment, as well as information about ISO's adherence to the World Trade Organization (WTO) principles in the Technical Barriers to Trade (TBT), see the following URL: www.iso.org/iso/foreword.html.

This document was prepared by Technical Committee ISO/TC 10, *Technical product documentation*.

This second edition ~~is a technical revision of the first edition (ISO 129-1:2004)~~ and replaces the first edition (ISO 129-1:2004), which has been technically revised.

The main changes compared to the previous edition are as follows:

- that this document does not cover the application of dimensioning tolerances has been clarified;
- property indicator, surface indicator, developed length and between symbols have been discussed;
- flag notes and textual instructions have been discussed;
- dimensioning repeated features and restricted areas have been clarified.

A list of all parts in the ISO 129 series can be found on the ISO website.

Introduction

This document is intended for all fields of application. See other parts of ISO 129 for information pertaining to specific application areas.

The principles of tolerancing and the interpretation of tolerance presentations are given in the ISO 14405 series.

Figures in this document illustrate the rules and are not intended to show complete representations. It should be understood that third-angle projection could equally well have been used without prejudice to the principles established.

iTeh STANDARD PREVIEW (standards.iteh.ai)

ISO 129-1:2018

<https://standards.iteh.ai/catalog/standards/sist/064b1072-265a-4281-ad72-4cc0b8f9e3ce/iso-129-1-2018>

Technical product documentation (TPD) — Presentation of dimensions and tolerances —

Part 1: General principles

1 Scope

This document establishes the general principles for presentation of dimensions and associated tolerances that apply to 2D technical drawings in all disciplines and trades but which can also be applied to 3D applications.

This document does not cover the application of dimensional tolerances and their meaning. See ISO 14405-1 for tolerancing principles. This document can only be used to describe the nominal model of a drawing, not the non-ideal surface model (skin model) used for tolerancing purposes (for more information on tolerancing specifications, see the list of GPS standards listed as normative reference or as bibliography)

Considering the ISO 14405 series, the presentation of tolerance indication is unambiguous when it is applied to a dimension which is a size and ambiguous when the dimension is not a size.

All rules presented in this document are available for any type of drawing (see ISO 29845).

In addition, this document introduces the concept of property indicators, developed length, between, surface indicators, flag notes and textual instructions.

NOTE 1 All figures are shown in 2D views only.

NOTE 2 Additional information and details for construction engineering are given in ISO 6284.

2 Normative references

The following documents are referred to in the text in such a way that some or all of their content constitutes requirements of this document. For dated references, only the edition cited applies. For undated references, the latest edition of the referenced document (including any amendments) applies.

ISO 128-20, *Technical drawings — General principles of presentation — Part 20: Basic conventions for lines*

ISO 128-22, *Technical drawings — General principles of presentation — Part 22: Basic conventions and applications for leader lines and reference lines*

ISO 128-24:2014, *Technical drawings — General principles of presentation — Part 24: Lines on mechanical engineering drawings*

ISO 3098 (all parts), *Technical product documentation — Lettering*

ISO 10209, *Technical product documentation — Vocabulary — Terms relating to technical drawings, product definition and related documentation*

ISO 14405 (all parts), *Geometrical product specifications (GPS) — Dimensional tolerancing*

ISO 81714-1, *Design of graphical symbols for use in the technical documentation of products — Part 1: Basic rules*

3 Terms and definitions

For the purposes of this document, the terms and definitions given in ISO 10209 and the following apply.

ISO and IEC maintain terminological databases for use in standardization at the following addresses:

- ISO Online browsing platform: available at <https://www.iso.org/obp>
- IEC Electropedia: available at <http://www.electropedia.org/>

3.1 Elements of dimensioning

3.1.1

centre line

line or set of two perpendicular lines used to represent a median feature, e.g. an axis or a centre plane

3.1.2

dimension line

straight or curved line with terminators at each end or origin and terminator at each end, indicating the size of a feature or the extent of a feature or between two features, or between a feature and an *extension line* (3.1.3), or between two extension lines

3.1.3

extension line

line which is an extension of a feature outline or of a *centre line* (3.1.1)

3.1.4

origin symbol

circle indicating the start of running dimensioning or coordinate dimensioning

iTeh STANDARD PREVIEW
(standards.iteh.ai)

3.2 Dimensions

ISO 129-1:2018
<https://standards.iteh.ai/catalog/standards/sist/064b1072-265a-4281-ad72-4cc0b8f9e3ce/iso-129-1-2018>

3.2.1

angular dimension

angle of an angular feature of size or angle between two features

Note 1 to entry: In mechanical engineering drawings, angular dimensions are classified as angular sizes or angular distances; see ISO 14405-2.

3.2.2

dimensional value

nominal numerical value expressed in a specific unit relevant to a *linear* or *angular dimension* (3.2.4, 3.2.1)

Note 1 to entry: The tolerance limits and/or permissible deviations are applied to the dimensional value.

3.2.3

developed length

initial length of material prior to forming, e.g. by bending

3.2.4

linear dimension

linear size of a feature of size or a linear distance between two features

Note 1 to entry: In mechanical engineering drawings, linear dimensions are classified as linear sizes or linear distances; see ISO 14405-2.

3.2.5

property indicator

symbol used to define the shape of a feature or property of an entity composed by several features

4 Presentation of dimensions

4.1 Presentation rules

4.1.1 Dimensions

Only the dimensions necessary to unambiguously define the nominal geometry (nominal model) shall be presented. Each dimension shall be presented only once by using a dimension line, a dimension value preceded, and if necessary, by a property indicator. When there is a need to repeat the presentation of a dimension, auxiliary dimensions may be used.

Dimensional values indicated in decimal notation, shall use a comma as the decimal marker.

Unless otherwise specified, dimensions shall be indicated for the finished state of the dimensioned feature.

The text of all dimensions, graphical symbols and annotations shall be indicated above the dimension line and read from the bottom. When the text of a dimension, symbol or annotation is presented vertically, it shall read from the right. The determination of orientation is based on the centre of the dimension, symbol or annotation.

Dimensions alone are not sufficient to define the requirements of a product. Dimensions shall be used with other specification techniques as applicable, e.g. general tolerances, geometrical tolerancing or surface texture requirements.

4.1.2 Repeated dimensions

When a feature is repeated on the drawing, it is possible to simplify the indication of its dimension on the drawing by indicating:

- on one instance of the feature, the nominal dimension (with a property indicator symbol if appropriate), preceded by the associated number of repetition, followed by a multiplication symbol (\times) and a space (e.g. $2 \times \varnothing 18$) (see [Figure 10](#)). To avoid confusion, it is possible to identify each member of the repetition using a reference identifier (e.g. letter or symbol) (see [Figure 64](#));
- a nominal dimension (with a property indicator symbol if appropriate) above a reference line, which is attached to each member of the repetition (see [Figures 49](#) and [50](#)).

4.1.3 Out of scale dimensions

By default, a dimension line is drawn to the scale of the drawing. In exceptional cases, in 2D drawing only, when the dimension value does not correspond to its dimension scale value (out-of-scale features), the dimension value shall be marked by underlining the dimensional value (see [7.11](#) and [Figure 70](#)).

4.1.4 Auxiliary dimensions

A dimension value can be defined as a dimension for information purposes only. In this case, the dimension value shall be placed into parenthesis, (). This kind of dimension is called an auxiliary dimension (see [7.12](#) and [Figures 65](#) and [66](#)).

4.1.5 Theoretically exact dimensions

When a dimension value shall be considered as a theoretical exact dimension and not associated with general \pm tolerancing or not an auxiliary dimension, it shall be placed in a rectangular frame (in accordance with ISO 1101, [7.13](#) and [Figure 71](#)).

4.1.6 Symmetrical dimensions

When the design of a part has one or more symmetries, it is possible to represent a portion of the part which can allow reconstructing the complete part by symmetry (see 7.9). In this case, the dimensions, shown only on the portion and the dimension line between two symmetrical features, are indicated from the feature shown on the portion with a termination and cross perpendicularly the axis of symmetry without termination (see Figures 65 and 66).

4.1.7 Characters and presentation

Characters on drawings shall be in accordance with the ISO 3098 series.

There shall be only one character height for dimension and tolerance presentation for a specific drawing.

A space shall separate the elements of the dimension indicator (see Figures A.3 and A.4).

The dimension value and the lower deviation shall be at the same distance from the dimension line (see Examples 1 and 2).

When upper and lower tolerance limits are presented in two separate lines (e.g. limit deviations, dimension limit values), the decimal marker of the upper and lower shall be aligned. When a tolerance limit is not shown with a decimal marker, the remaining digits shall be aligned as if the decimal marker had been displayed (see Examples 1 and 2).

Trailing zeros may or may not be presented:

ITIH STANDARD PREVIEW
(standards.iteh.ai)

Example 1

+0,20

2× 55 -0,15

Example 2

0

2× 55 -0,15

ISO 129-1:2018

<https://standards.iteh.ai/catalog/standards/sist/064b1072-265a-4281-ad72-4cc0b8f9e3ce/iso-129-1-2018>

Deviations shall always be presented with a “+” or “-” sign as appropriate, unless the value is zero, in which case, no sign shall be presented (see Example 2).

For tolerances attached to a dimension displayed in accordance with ISO 286-1, it is not necessary to express the values of the deviations unless they are needed (see Figure 1).

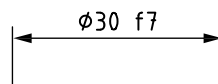


Figure 1

4.2 Positioning of dimensions

Dimensions shall be placed in a view or section which shows the relevant feature(s) most clearly (see Figure 2).

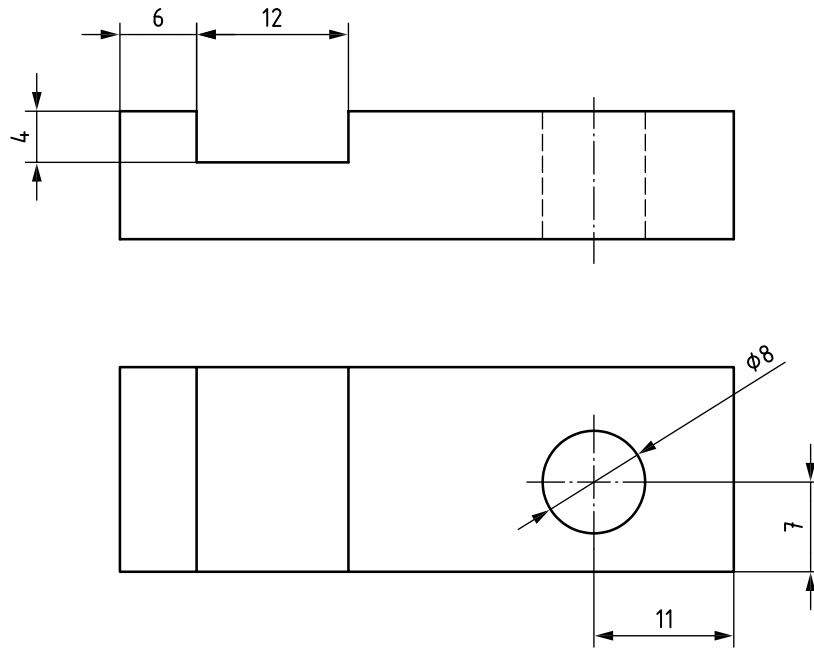


Figure 2

Dimension lines for internal features and dimension lines for external features shall, wherever possible, be arranged and indicated in separate groups of dimensions to improve readability (see Figure 3).

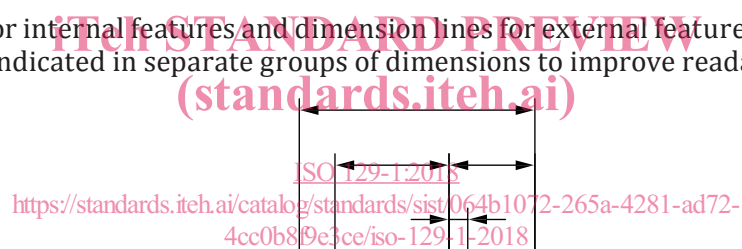
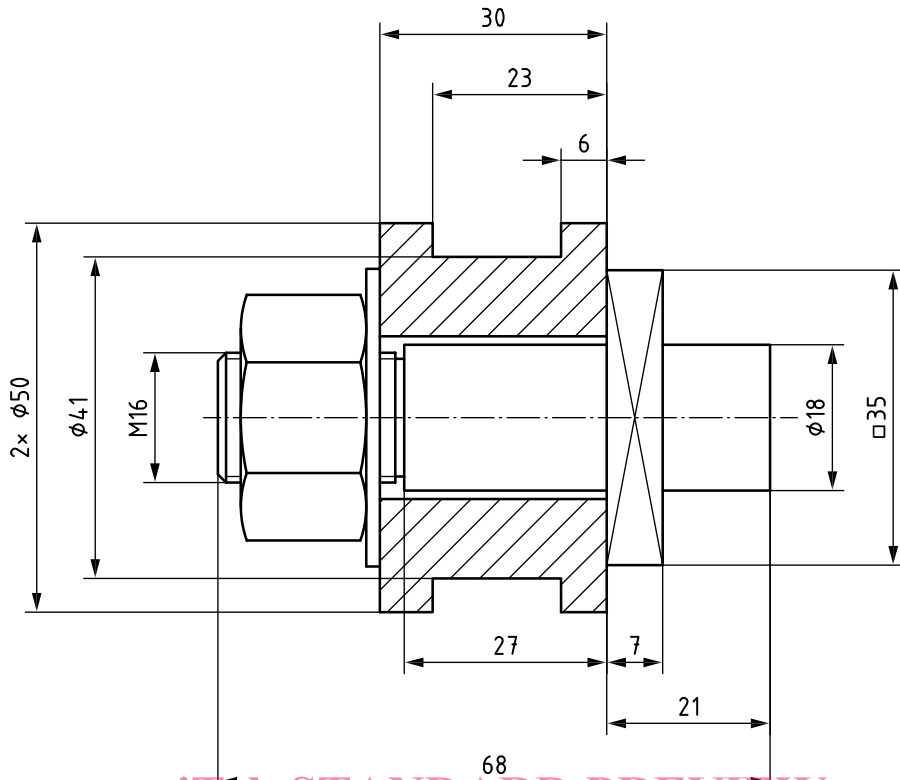


Figure 3

Where several features or objects are depicted in close proximity, their relative dimensions shall be grouped together, separately, for ease of reading (see Figure 4).

Whenever possible, dimensions should not be placed within the contour of the depicted item.

Dimensioning of hidden features is not recommended and should be avoided unless absolutely necessary and completely unambiguous.



iTeh STANDARD PREVIEW
(standards.iteh.ai)

Figure 4

ISO 129-1:2018

4.3 Units of dimensions

<https://standards.iteh.ai/catalog/standards/sist/064b1072-265a-4281-ad72-4cc0b8f9e3ce/iso-129-1-2018>

For linear units, the predominant unit on a drawing may be specified on the drawing or in an associated document and the unit omitted from the individual dimensions.

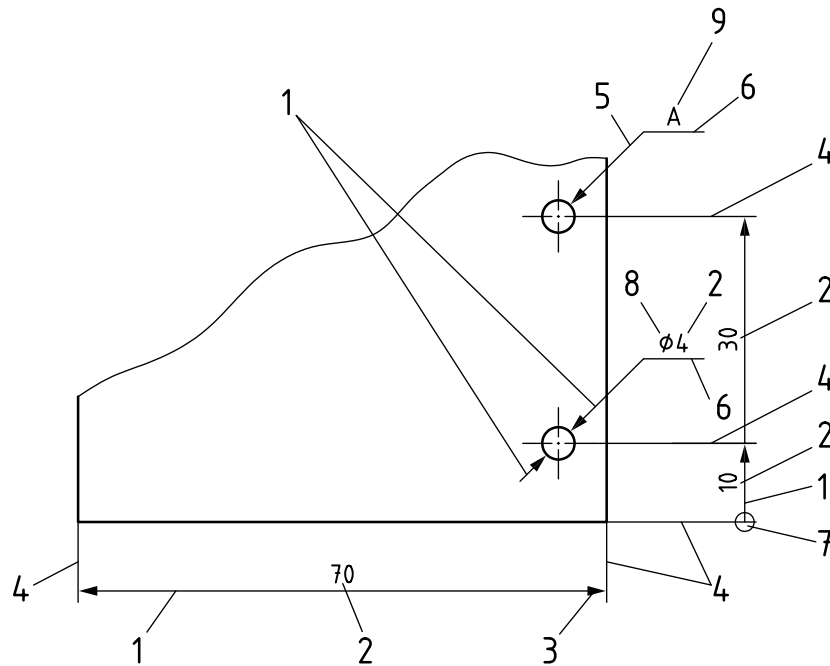
For angular dimensions, the units shall always be specified with the individual dimensions (see [Figure 7](#) and [Figures 34](#) to [37](#)).

Any dimensions expressed in a different unit of measure shall indicate that unit of measure.

5 Elements of dimensioning — Usage

5.1 General

Various elements of dimensioning are illustrated in [Figure 5](#).

**Key**

- 1 dimension line
- 2 nominal dimension value
- 3 terminator (in this case, an arrowhead)
- 4 extension line
- 5 leader line
- 6 reference line
- 7 origin symbol
- 8 property indicator
- 9 reference letter

STANDARD PREVIEW
(standards.iteh.ai)

ISO 129-1:2018
<https://standards.iteh.ai/catalog/standards/sist/064b1072-265a-4281-ad72-4cc0b8f9e3ce/iso-129-1-2018>

Figure 5**5.2 Property indicators**

Property indicator symbols (see [Table 1](#)) may be used to describe the shape of the feature and the type of associated dimension. The symbol shall precede the dimension without a space (see figures referenced in [Table 1](#)).

No property indicator is required for the presentation of

- linear dimensions between two parallel planes (see [Figure 9](#)), or two parallel straight lines (see [Figure 41](#)), or
- angular dimensions between two intersecting planes (see [Figures 7](#) and [59](#)) or two intersecting straight lines.

Table 1

Property indicator symbol	Description	Associated property	Example of presentation
ϕ	Diameter	Cylindrical feature or circular feature described by its diameter.	Figures 2, 6 and 10
R	Radius	Cylindrical feature or circular feature described by its radius.	Figures 8 and 44
◻	Square	Square feature with four equal angles and four equal sides described by its side dimension.	Figures 4, 55 to 57
S ϕ	Spherical diameter	Spherical feature described by its diameter.	Figure 51
SR	Spherical radius	Spherical feature described by its radius.	Figure 52
\frown	Arc length	Curvilinear dimension of non-flat feature (e.g. arc length).	Figures 8, 53 and 54
t=	Thickness (of thin objects)	Two offset features defined by its thickness.	Figure 78
∇	Depth	Depth of a hole or internal feature.	Figures 39 and 41
\perp	Cylindrical counterbore	Cylindrical hole with a flat bottom described by its diameter and depth.	Figure 39
\sphericalangle	Countersink	Circular chamfer described by a diameter and angle.	Figure 40
ρ	Developed length	Length of feature prior to bending or forming.	Figure 77
\longleftrightarrow	Between	Indication of the extent of a restricted area, used in conjunction with reference letters.	Figures 54 and 81

5.3 Dimension line

Dimension lines shall be indicated as continuous narrow lines according to ISO 128-20.

Dimension lines shall be indicated in the case of:

- linear dimension:
 - which is a size of a feature of size indicated by a single dimension line (see [Figures 6 and 27](#));
 - which is radius generated from the geometrical centre of the circle of which the arc is part and leading to the outline of the arc (see [Figure 8](#));
 - which is a distance between two features or an extent of restricted area parallel to the length to be dimensioned (see [Figures 10 and 83](#));
- angular dimensions or dimensions of an arc as a circular arc around the vertex of the angle or the centre of the arc (see [Figures 7 and 8](#)).

Where space is limited, dimension lines may be extended past the extension lines and the arrowheads placed outside of the extension lines and reversed (see [Figure 2](#)).

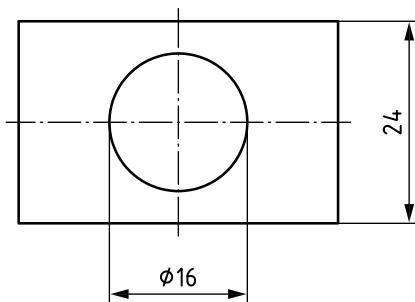
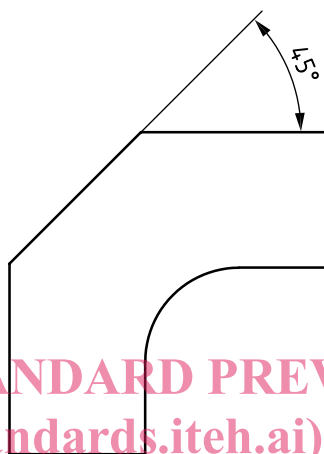


Figure 6



iTeh STANDARD PREVIEW
(standards.iteh.ai)

ISO 129-1:2018
Figure 7

<https://standards.iteh.ai/catalog/standards/sist/064b1072-265a-4281-ad72-4cc0b8f9e3ce/iso-129-1-2018>

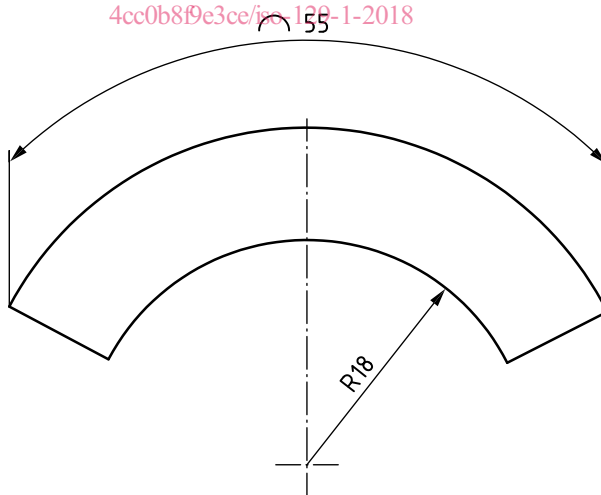


Figure 8

Where the feature is shown broken, the corresponding dimension line shall be shown unbroken (see [Figure 9](#)).