



Designation: D 5344 – 99

Standard Test Method for Extension Force of Partially Oriented Yarn¹

This standard is issued under the fixed designation D 5344; the number immediately following the designation indicates the year of original adoption or, in the case of revision, the year of last revision. A number in parentheses indicates the year of last reapproval. A superscript epsilon (ϵ) indicates an editorial change since the last revision or reapproval.

1. Scope

1.1 This test method covers the measurement of extension force developed while drawing a partially oriented filament yarn between pairs of draw rolls of different surface speeds.

1.2 Extension force provides an estimate of the yarn orientation.

1.3 This test method applies to partially oriented filament yarns less than 33.3 tex (300 denier), but it can be used for higher deniers by applying the test conditions as directed in Appendix X1.

1.4 The values stated in either SI or inch-pound units are to be regarded separately as standards. Within the text, the inch-pound units are shown in brackets. The values stated in each system are not exact equivalents; therefore, each system shall be used independently of the other. Combining values from the two systems may result in inaccuracy in the results.

1.5 *This standard does not purport to address all of the safety concerns, if any, associated with its use. It is the responsibility of the user of this standard to establish appropriate safety and health practices and determine the applicability of regulatory limitations prior to use.*

2. Referenced Documents

2.1 ASTM Standards:

- D 123 Terminology Related to Textiles²
- D 1776 Practice for Conditioning and Testing Textiles²
- D 2258 Practice for Sampling Yarn for Testing²
- D 2904 Practice for Interlaboratory Testing of a Textile Test Method that Produces Normally Distributed Data²
- D 2906 Practice for Statements on Number of Specimens for Textiles²

2.2 ASTM Adjuncts: TEX-PAC³

3. Terminology

3.1 Definitions:

¹ This test method is under the jurisdiction of ASTM Committee D13 on Textiles and is the direct responsibility of Subcommittee D13.58 on Yarn Test Methods, General.

Current edition approved Sept. 10, 1999. Published November 1999. Originally published as D 5344 – 93. Last previous edition D 5344 – 93¹.

² *Annual Book of ASTM Standards*, Vol 07.01.

³ PC programs on floppy disks are available through ASTM. For a 3½-in. or 5½-in. disk request ADJD2904.

3.1.1 *drawing, n*—in textile processing, the process of stretching or attenuating a material to increase the length per unit mass.

3.1.1.1 *Discussion*—This process orients the molecular chains in the length direction of partially oriented yarn.

3.1.2 *draw ratio (DR), n*—the relation of the final length per unit mass to original length per unit mass of a material resulting from drawing.

3.1.3 *draw texturing, n*—for processing thermoplastic fibers, the simultaneous or sequential process of drawing and imparting crimp, thus producing increased molecular orientation and increased bulk.

3.1.3.1 *Discussion*—The drawing and texturing stages may occur in separate, usually consecutive, zones of a machine (sequential draw texturing) or together in the same zone (simultaneous draw texturing).

3.1.4 *extension, n*—the change in length of a material due to stretching.

3.1.5 *extension force, n*—the force required to stretch a material to a given length.

3.1.6 *partially oriented yarn, n*—filament yarn in which polymer molecules are only partially aligned.

3.1.6.1 *Discussion*—Additional drawing of partially oriented yarn results in full orientation of the polymer molecules and optimizes the tensile properties of the yarn.

3.2 For definitions of other textile terms used in this test method refer to Terminology D 123.

4. Summary of Test Method

4.1 Partially oriented filament yarn withdrawn from a package is pretensioned, heated, and drawn on an instrument under conditions similar to those used in the draw-texturing process. A tension measuring head senses the force required to draw the running yarn a specified amount of its original length under given conditions.

5. Significance and Use

5.1 This test method is considered satisfactory for acceptance testing of commercial shipments because current estimates of between-laboratory precision are acceptable and the method is used extensively in the trade for acceptance testing.

5.1.1 If there are differences or practical significance between reported test results for two laboratories (or more), comparative tests should be performed to determine if there is

a statistical bias between them, using competent statistical assistance. As a minimum, the test samples to be used are as homogeneous as possible, are drawn from the material from which the disparate test results are obtained, and are assigned randomly in equal numbers to each laboratory for testing. Other materials with established test values may be used for this purpose. The test results from the two laboratories should be compared using a statistical test for unpaired data, at a probability level chosen prior to the testing series. If a bias is found, either its cause must be found and corrected, or future test results must be adjusted in consideration of the known bias.

5.2 Elapsed time between spinning and testing has a marked effect on the results of the draw tension test, especially during the first 24 h. Therefore, if tested within 24 h of spinning, specimens should be compared only if tested after the same elapsed time. No specimen should be tested within 4 h of spinning because the aging process is at its most rapid rate during this period, and the differences in rate due to fiber structure are most pronounced.

5.3 The extension force of manufactured filament yarns is related to the alignment of the molecules in the yarn filaments, which influences the yarn processing behavior. Knowledge of this property of partially oriented yarn is useful to determine processing conditions.

6. Apparatus

6.1 *Extension Force Measuring Instrument*,^{4,5} which will perform the test on a running threadline. This instrument should include the following: (1) an input section to withdraw the yarn from a package and position the yarn for delivery to the drawing section and establish constant tension, (2) a drawing section that should include a constant heat source to provide for the extension of the yarn, and (3) a means of recording the force required to draw the yarn.

7. Sampling and Test Specimens

7.1 *Primary Sampling Unit*—Consider shipping containers of yarns to be the primary sampling unit.

7.2 *Laboratory Sampling Unit*—From the combined number of primary sampling units in a designated lot, take ten randomly selected packages as directed in Practice D 2258 as laboratory sampling units.

7.3 *Test Specimens*—For acceptance testing, take one test specimen from each laboratory sampling unit. For nylon and polyester, use a 50-m test length. For polypropylene, use a 100-m test length.

8. Conditioning

8.1 Prior to conditioning, prepare the test packages by removing at least 100 m (10 yds) of yarn from the outside of

each test package to avoid testing nonrepresentative yarn. No preconditioning is required.

NOTE 1—Preconditioning is generally not advisable because it prolongs the time required for conditioning.

8.2 Bring the specimens in package form to moisture equilibrium for testing in the standard atmosphere for testing textiles $21 \pm 1^\circ\text{C}$ ($70 \pm 2^\circ\text{F}$) and $65 \pm 2\%$ relative humidity in accordance with Practice D 1776. A 24-h period is usually sufficient.

9. Procedure

9.1 Perform all tests in the standard atmosphere for testing textiles, which is $21 \pm 1^\circ\text{C}$ or $70 \pm 2^\circ\text{F}$ and $65 \pm 2\%$ relative humidity.

9.2 Calibrate the test instrument as specified by the manufacturer. Test certified control packages and evaluate them using statistical procedures to verify calibration.

9.3 Test Conditions:

9.3.1 Use the test conditions as specified in Table 1 for to the instrument being used. The use of these conditions will allow for the direct comparison of test results from the two instruments.

NOTE 2—Due to the difference in heater length on the two test instruments, the draw roll speed is different to maintain the same dwell time of the yarn in the heater. It is important to maintain the same dwell time in the heater at a given heat to assure reproducible data for extension force test.

NOTE 3—For conditions other than those given in 9.3.1, see Appendix X1 for test condition optimization, which provides for direct comparison between users.

9.4 Procedure for Testing Specimens:

9.4.1 Remove surface yarn from the outside of each package immediately before the test is run to remove damaged or disturbed yarn.

9.4.2 Mount the test package on a suitable holder.

9.4.3 Turn the instrument on.

9.4.4 Feed the yarn through the instrument as specified by the instrument operator's manual (see Fig. 1 and Fig. 2).

9.4.5 Set the yarn test speed.

9.4.6 Check the yarn pretension, if applicable.

9.4.7 Run the test for a minimum of 1 min.

10. Calculation

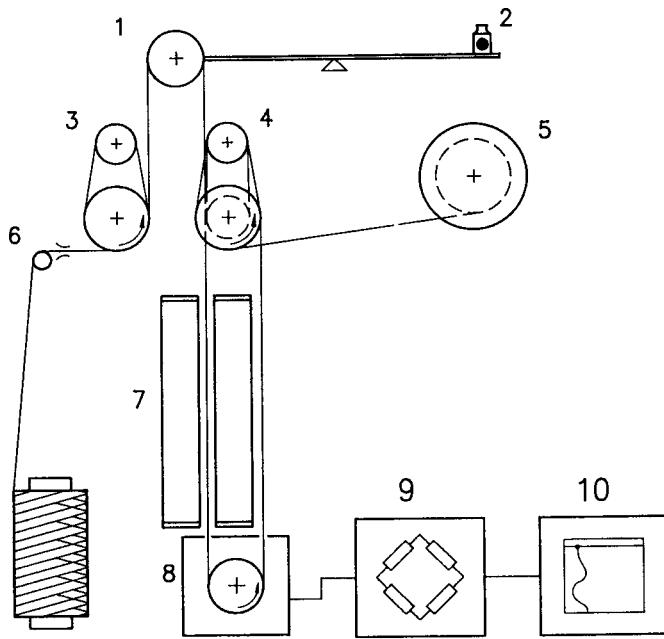
10.1 Calculate the average extension force of each package in the laboratory sample from the chart recorder or input signal to the microprocessor.

TABLE 1 Test Conditions

Polymer Type	DYNAFIL, 7.62-cm Heater		Draw Roll Speed, m/min	Heat, °C	Draw Ratio
	Pretension cN/tex	g/den			
Polyester	0.90	0.10	50	150	1.60
Nylon	0.90	0.10	50	150	1.40
Polypropylene	0.90	0.10	100	140	1.60
DTI, 104-cm Heater					
Polymer Type	Draw Roll Speed		Heat	Draw	
	m/min		°C	Ratio	
Polyester	68.2		150	1.60	
Nylon	68.2		150	1.40	
Polypropylene	136.5		140	1.60	

⁴ DYNAFIL, available from Lawson-Himphill Sales, Inc., P.O. Drawer 6388, Spartanburg, SC 29304, has been found suitable. Texttechno, Dohrweg 65, D-41066, Mönchengladbach, Germany.

⁵ DTI, available from W. Fritz Mezger, Inc., 155 Hall Street, Spartanburg, SC, 29302, has been found suitable. Lenzing AG, Lenzing Instruments, Pichlwangerstrasse, 4860 Lenzing, Austria.



1. Compensating Roll
2. Pretension Weight
3. Supply Godet with Laying Roll
4. Stepped Godet (Draw Roll)
5. Treaded Take-up (Aspirator)
6. Treaded Tensioner
7. Non-Contact Heater Tube
8. Load Cell with Measuring Roll
9. Measuring Bridge
10. Chart Recorder (Microprocessor)

FIG. 1 Layout of Extension Force Measuring Unit—DYNAFIL

10.2 Calculate the average extension force and coefficient of variation for the lot.

11. Report

11.1 State that the test was performed as directed in this test method.

11.2 Report the following information for the laboratory sampling unit and for the lot as applicable to a material specification or contract order.

11.2.1 Lot number, individual package identification, denier, and number of filaments of feed yarn.

11.2.2 Sampling protocol (number of packages tested and number of tests per package).

11.2.3 Test conditions (see Table 1).

11.2.4 Average extension force for each package tested.

11.2.5 Average extension force and coefficient of variation for the lot.

11.2.6 Any modifications to the test.

12. Precision and Bias

12.1 *Summary*—In comparing two single observations, the difference should not exceed 1.5 percentage points of the average of the two observations in 95 out of 100 cases when both observations are taken by the same well-trained operator using the same piece of test equipment and specimens randomly drawn from the same sample of material. Larger differences likely are to occur under all other circumstances. See 12.2-12.4 for an explanation of the basis for this summary and for evaluations made under other conditions.

12.2 *Interlaboratory Test Data*⁶—An interlaboratory test was run in 1995 in which the DYNAFIL and DTI were both used and randomly drawn samples of three materials (see Table 2) were tested in each of six laboratories (five DYNAFILS and one DTI). Two operators in each laboratory tested five specimens of each material on two different days. Analysis of the data was conducted using Practice D 2904, Practice D 2906, and the adjunct TEX-PAC. The components of variance for extension force results expressed as standard deviations are shown in Table 2.

12.3 *Critical Differences*—For the components of variance reported in Table 2, two averages of observed values should be considered significantly different at the 95 % probability level if the difference equals or exceeds those shown in Table 3.

12.4 *Bias*—The procedure of this test method produces a test value that can be defined only in terms of a test method. There is no independent, reference method by which bias may be determined. This test method has no known bias.

13. Keywords

13.1 force, extension; yarn; partially-oriented

⁶ Supporting data is available from ASTM Headquarters, Request RR: D13-1103.