
Resilient, textile and laminate floor coverings — Castor chair test

Revêtements de sol textiles, résilients ou stratifiés — Essai à l'appareil à roulettes

iTeh STANDARD PREVIEW
(standards.iteh.ai)

[ISO 4918:2016](https://standards.iteh.ai/catalog/standards/sist/a93571ac-7c2c-4b2d-9dc4-f6d43255113b/iso-4918-2016)

<https://standards.iteh.ai/catalog/standards/sist/a93571ac-7c2c-4b2d-9dc4-f6d43255113b/iso-4918-2016>



iTeh STANDARD PREVIEW
(standards.iteh.ai)

ISO 4918:2016

<https://standards.iteh.ai/catalog/standards/sist/a93571ac-7c2c-4b2d-9dc4-f6d43255113b/iso-4918-2016>



COPYRIGHT PROTECTED DOCUMENT

© ISO 2016, Published in Switzerland

All rights reserved. Unless otherwise specified, no part of this publication may be reproduced or utilized otherwise in any form or by any means, electronic or mechanical, including photocopying, or posting on the internet or an intranet, without prior written permission. Permission can be requested from either ISO at the address below or ISO's member body in the country of the requester.

ISO copyright office
Ch. de Blandonnet 8 • CP 401
CH-1214 Vernier, Geneva, Switzerland
Tel. +41 22 749 01 11
Fax +41 22 749 09 47
copyright@iso.org
www.iso.org

Contents

	Page
Foreword	iv
1 Scope	1
2 Normative references	1
3 Terms and definitions	1
4 Principle	1
5 Apparatus	2
6 Materials	5
7 Sampling	5
7.1 Textile floor coverings.....	5
7.2 Resilient floor covering.....	6
7.3 Laminate floor coverings.....	6
8 Conditioning	7
8.1 Textile floor coverings.....	7
8.2 Resilient and laminate floor coverings.....	7
9 Procedure	7
9.1 Textile floor coverings.....	7
9.1.1 General.....	7
9.1.2 Mounting of the specimens.....	7
9.1.3 Verifications of the castors.....	7
9.1.4 Preparing of the apparatus.....	8
9.1.5 Test procedures for textile floor coverings.....	8
9.2 Resilient and laminate floor coverings.....	9
9.2.1 General.....	9
9.2.2 Mounting of the specimen.....	9
9.2.3 Verification of the castors.....	10
9.2.4 Preparing the apparatus.....	10
9.2.5 Test procedure for resilient and laminate floor coverings.....	10
10 Assessment	10
10.1 Textile floor coverings.....	10
10.1.1 General.....	10
10.1.2 Test A — Structural integrity assessment.....	11
10.1.3 Test A — Appearance retention assessment.....	11
10.1.4 Test B — Colour change assessment.....	11
10.1.5 Test C — Structural integrity assessment.....	11
10.2 Resilient floor coverings.....	11
10.2.1 Resilient floor covering with click joints for floating installation.....	11
10.3 Laminate floor coverings.....	11
11 Calculations and expression of results	12
11.1 Textile floor coverings.....	12
11.1.1 Optional results for textile floor coverings.....	12
11.2 Resilient floor coverings.....	12
11.3 Laminate floor coverings.....	12
12 Test report	12

Foreword

ISO (the International Organization for Standardization) is a worldwide federation of national standards bodies (ISO member bodies). The work of preparing International Standards is normally carried out through ISO technical committees. Each member body interested in a subject for which a technical committee has been established has the right to be represented on that committee. International organizations, governmental and non-governmental, in liaison with ISO, also take part in the work. ISO collaborates closely with the International Electrotechnical Commission (IEC) on all matters of electrotechnical standardization.

The procedures used to develop this document and those intended for its further maintenance are described in the ISO/IEC Directives, Part 1. In particular the different approval criteria needed for the different types of ISO documents should be noted. This document was drafted in accordance with the editorial rules of the ISO/IEC Directives, Part 2 (see www.iso.org/directives).

Attention is drawn to the possibility that some of the elements of this document may be the subject of patent rights. ISO shall not be held responsible for identifying any or all such patent rights. Details of any patent rights identified during the development of the document will be in the Introduction and/or on the ISO list of patent declarations received (see www.iso.org/patents).

Any trade name used in this document is information given for the convenience of users and does not constitute an endorsement.

For an explanation on the meaning of ISO specific terms and expressions related to conformity assessment, as well as information about ISO's adherence to the WTO principles in the Technical Barriers to Trade (TBT) see the following URL: [Foreword - Supplementary information](#)

The committee responsible for this document is ISO/TC 219, *Floor coverings*.

This second edition cancels and replaces the first edition (ISO 4918:2009), which has been technically revised.

<https://standards.iteh.ai/catalog/standards/sist/a93571ac-7c2c-4b2d-9dc4-f6d43255113b/iso-4918-2016>

Resilient, textile and laminate floor coverings — Castor chair test

1 Scope

This International Standard specifies methods for determining the change of appearance and stability of a textile floor covering or any damage caused by detachment of layers, opening of joints, or crazing of a resilient or laminate floor covering under the movement of a castor chair.

2 Normative references

The following documents, in whole or in part, are normatively referenced in this document and are indispensable for its application. For dated references, only the edition cited applies. For undated references, the latest edition of the referenced document (including any amendments) applies.

ISO 139, *Textiles — Standard atmospheres for conditioning and testing*

ISO 1957, *Machine-made textile floor coverings — Selection and cutting of specimens for physical tests*

ISO 2424, *Textile floor coverings — Vocabulary*

ISO 9405, *Textile floor coverings — Assessment of changes in appearance*

CEN/TS 16354, *Laminate floor coverings — Underlays — Specification, requirements and test methods*

EN 12466, *Resilient floor coverings — Vocabulary*
<https://standards.iteh.ai/catalog/standards/sist/a93571ac-7c2c-4b2d-9dc4-f6d43255113b/iso-4918-2016>

3 Terms and definitions

For the purposes of this document, the terms and definitions given in ISO 2424 and EN 12466 apply.

4 Principle

A floor covering, including one or more joints, treated or welded where necessary, is submitted for a prescribed number of cycles to the action of three castors. The castors move in epicyclical paths with multiple changes of direction, stops and starts, and the frequency of passage varies from area to area.

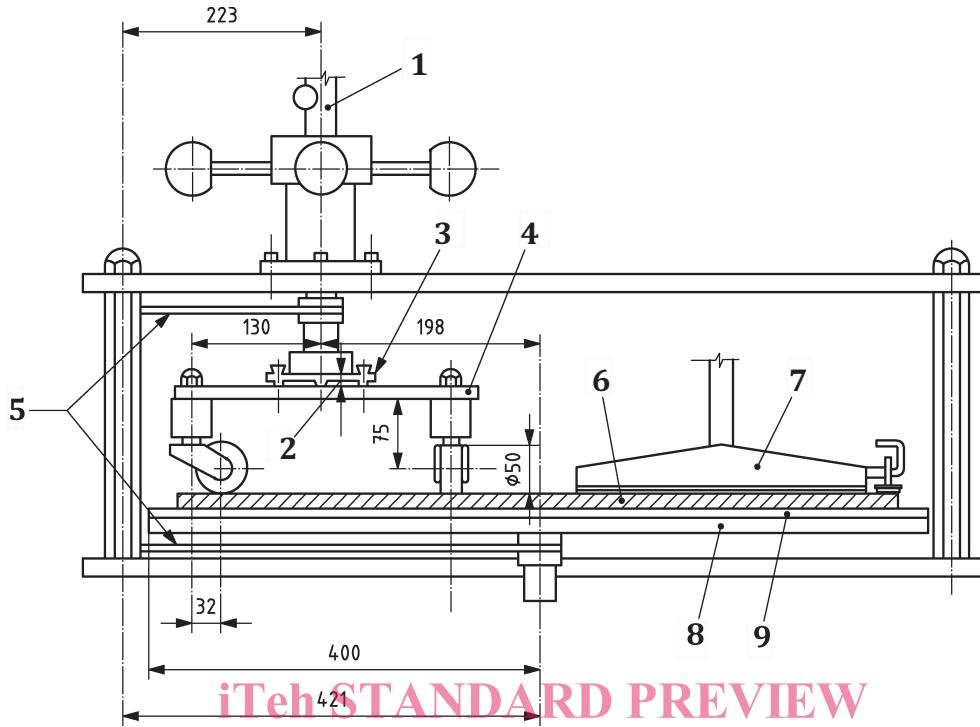
For textile floor coverings, three different assessment methods are specified:

- a) the change in appearance of a textile floor covering is assessed after 5 000 cycles and 25 000 cycles, in accordance with ISO 9405 (Test A),
- b) the change in colour is assessed by means of grey scales after 750 cycles (Test B),
- c) the extent of deterioration of the specimen is assessed after 10 000 cycles or 25 000 cycles (Test C).

For resilient and laminate floor coverings, any damage caused by detachment of layers, opening of joints, or crazing of the specimen is assessed.

5 Apparatus

Dimensions in millimetres



Key

- 1 total mass 90 kg
- 2 distance >3 mm
- 3 load/drive plate
- 4 castor mounting plate
- 5 chain
- 6 specimen
- 7 suction device with height regulation
- 8 test platform
- 9 specimen support

Figure 1 — Typical castor chair apparatus

5.1 Rotating circular test platform.

The rotating circular test platform on which the specimen is placed shall have a diameter of minimum 800 mm.

5.2 Castor assembly.

This assembly comprises a vertical shaft, set in a bearing, and a plate on which the castors are mounted (Figure 2, item 1). This castor assembly is offset at a distance of (198 ± 1) mm from the centre of the rotating test platform.

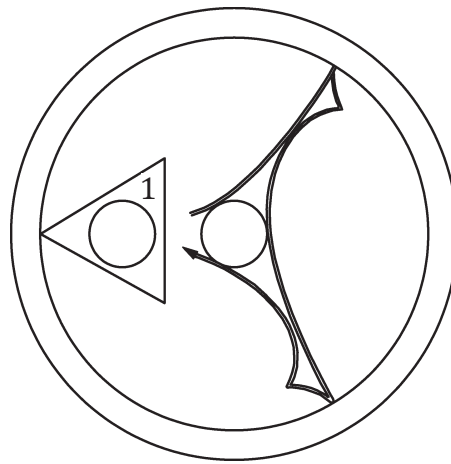
The three castors are each arranged concentrically at 120° intervals around the centre of the plate at a distance of (130 ± 1) mm from the centre of the plate, and are free to rotate, so that they follow the rotation of the castor assembly.

The tested area of the specimen is determined by the distance between the axes of revolution of the castor chair assembly and the specimen table and by the distance of the castors from the centre of the plate. This area is approximately $0,3 \text{ m}^2$.

The apparatus is provided with a lifting device to raise the castor assembly above the testing platform when the apparatus is stopped.

The castor assembly is loaded with a mass of (90 ± 1) kg equally divided over the three castors.

The distance (under load) between the castor mounting plate and the load/drive plate shall be >3 mm.



Key

1 castor assembly

Figure 2 — Path of castors

5.3 Drive mechanism.

The drive to the specimen plate and to the castor assembly is interlocked and fitted with a reversing mechanism. The number of cycles is set by means of a pre-set counter. The rotational speed of the rotating platform shall be (19 ± 2) r/min and that of the castor assembly (50 ± 5) r/min.

After (180 ± 10) s of rotation, the platform shall stop and remain in the stop position for (5 ± 2) s, after which time the direction of rotation of the rotating platform shall reverse.

The relationship between the rotational speed of the specimen plate and that of the castor assembly causes a sharp reverse movement of the castors within the stressed area (see [Figure 2](#)).

5.4 Suction device.

A suction device ([Figure 1](#), item 7) is mounted over the entire width of the stressed area, the height of this device above the specimen being adjustable. The suction capacity shall be at least 25 l/s to 30 l/s.

5.5 Castors.

5.5.1 General

Single-wheel swivel castors shall be used having the following dimensions (see [Figure 3](#)):

- a) diameter: (50 ± 2) mm;
- b) width: (20 ± 2) mm;
- c) radius of curvature, R , of castor tread: (130 ± 5) mm;
- d) crank distance: (32 ± 2) mm.

The distance between any two castor mountings shall be (225 ± 5) mm.

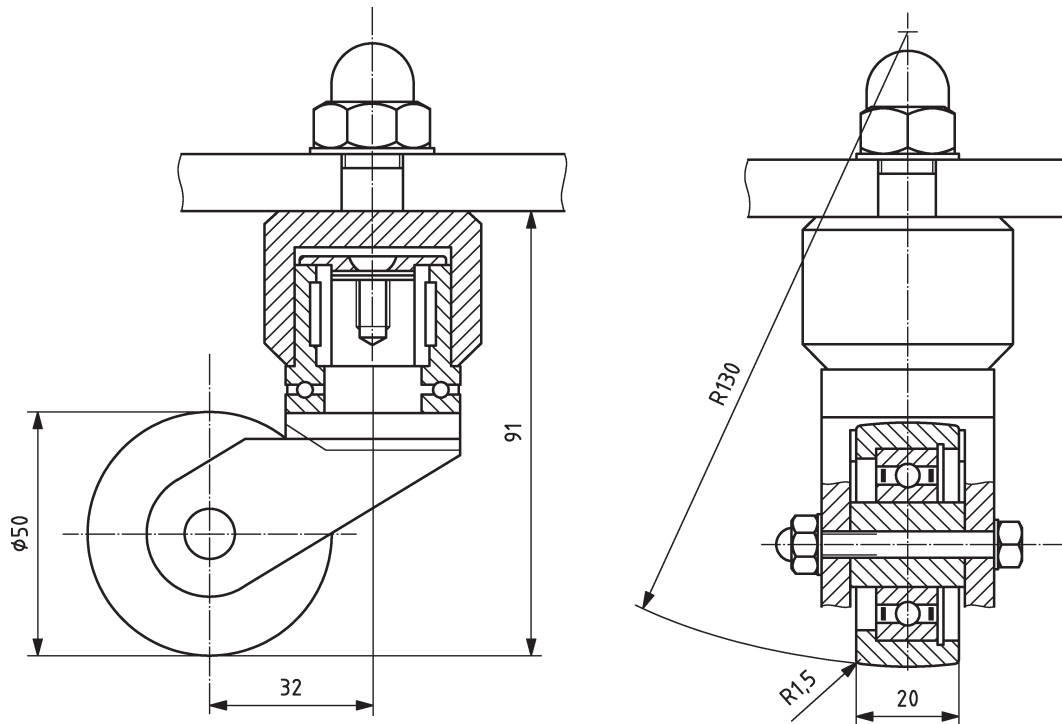


Figure 3 — Single-wheel swivel castors (nominal dimensions in mm)

ITEM STANDARD REVIEW
(standards.iteh.ai)

5.5.2 Type H castors, suitable for textile, resilient, and laminate floor coverings.

Type H, polyamide castors have plain wheels and a hard tread, shore hardness 90 ± 5 . The wheels shall be one colour over their entire surface. The castor treads are made from polyamide and shall be replaced after maximum 2 000 000 cycles of the test platform.

The castor treads shall be examined after each test to verify that they are still smooth, without any deep scoring or encrusted hard particles. The tread shall be replaced if the dimensions of the wheel fall outside the tolerances given in 5.5.1.

5.5.3 Type W castors, suitable for resilient and laminate floor covering.

Type W, polyurethane covered castor wheels, shore hardness 85 ± 5 . The surface of the castor wheels shall be replaced after maximum 1 000 000 cycles of the test platform.

The castor treads shall be examined after each test to verify that they are still smooth, without any deep scoring or encrusted hard particles. The tread shall be replaced if the dimensions of the wheel fall outside the tolerances given in 5.5.1.

5.6 Lifting device, to raise the castor assembly above the testing platform when the apparatus is stationary.

5.7 Cycle counter, for setting the number of cycles of the testing platform.

5.8 Fastening system.

Flooring samples shall be securely held in place using glue, tape, or other suitable means. For loose-laid installations, panel shall be secured at the outer perimeter to prevent samples, which may include a flooring product and an underlayment, from shifting during the test using tape, a hold down ring, or other suitable means. Take care not to use mechanical horizontal fastening force.

5.9 Specimen support.

The specimen shall be placed on a circular sheet of rigid plastic [e.g. poly(methyl methacrylate)] or suitable substrate with a thickness of (7 ± 2) mm and a diameter of (800 ± 5) mm.

The support itself shall be laid on the test platform and holes made in the support in order to engage the platform studs, to prevent slippage.

5.10 Vacuum cleaner, upright, with rotating brush driven by an independent motor for textile floor coverings, and without rotating brush for resilient and laminate floor coverings.

5.11 Illumination device (not to be used for textile floor coverings).

Illumination shall be provided by sufficient fluorescent tubes mounted at a height above the viewing table to give an intensity of light across the viewing platform of $(1\ 500 \pm 300)$ lx and in such a way as to illuminate the specimen vertically from above and allow uninterrupted viewing of the table (minimum height 1 600 mm above table). The surroundings shall be neutral and darkened.

The intensity of the light shall be checked prior to each assessment series by the use of a lux meter. The lifetime of the fluorescent tubes, as given by the manufacturer, shall not be exceeded.

5.12 Rotary viewing table (not to be used for textile floor coverings).

A rotary viewing table enabling the specimens to be rotated so that they may be viewed from all directions under the standard illumination.

The diameter of the viewing table shall be at least 1 000 mm to enable the test specimens and the reference scales to be laid side-by-side. The table colour shall be matt dark grey or matt black. The table shall be constructed in such a way that its surface is as close as possible to the floor, in order to achieve a 45° angle to the eyes of the assessor.

5.13 Set of thickness gauges, ranging from 0,05 mm to 0,10 mm in steps of 0,01 mm and from 0,10 mm to 0,50 mm in steps of 0,05 mm.

5.14 Calliper gauge or a depth gauge, with a scale interval of 0,05 mm.

6 Materials

6.1 White cotton, in pad, cloth, or paper form.

6.2 Adhesive scrim, double-sided adhesive tape or adhesive.

6.3 Denatured ethanol.

7 Sampling

7.1 Textile floor coverings

Take specimens from the sample in accordance with ISO 1957.

Prepare the specimens as follows.

a) For Test A