



Designation: D1051 – 08

Standard Specification for Rubber Insulating Sleeves¹

This standard is issued under the fixed designation D1051; the number immediately following the designation indicates the year of original adoption or, in the case of revision, the year of last revision. A number in parentheses indicates the year of last reappraisal. A superscript epsilon (ϵ) indicates an editorial change since the last revision or reappraisal.

1. Scope

1.1 This specification covers manufacturing and testing of rubber insulating sleeves for protection of workers from electrical shock.

1.2 Two types of sleeves are provided and are designated as Type I, nonresistant to ozone, and Type II, resistant to ozone.

1.3 Five classes of sleeves, differing in electrical characteristics, are provided and are designated as Class 0, Class 1, Class 2, Class 3, and Class 4.

1.4 Two styles of sleeves, differing in configuration, are provided and are designated as Style A, straight taper, and Style B, curved elbow.

1.5 The values stated in SI units are to be regarded as the standard. See [IEEE/ASTM SI 10](#).

1.6 The following safety hazards caveat pertains only to the test methods portion, Sections 16-19, of this specification: *This standard does not purport to address all of the safety concerns, if any, associated with its use. It is the responsibility of the user of this standard to establish appropriate safety and health practices and determine the applicability of regulatory limitations prior to use.* Specific safety hazards statements are given in 18.2.

2. Referenced Documents

2.1 *ASTM Standards:*²

[D149 Test Method for Dielectric Breakdown Voltage and Dielectric Strength of Solid Electrical Insulating Materials at Commercial Power Frequencies](#)

[D297 Test Methods for Rubber Products—Chemical Analysis](#)

[D412 Test Methods for Vulcanized Rubber and Thermoplastic Elastomers—Tension](#)

¹ This specification is under the jurisdiction of ASTM Committee F18 on Electrical Protective Equipment for Workers and is the direct responsibility of Subcommittee F18.15 on Worker Personal Equipment. This standard replaces ANSI Standard J6.5, which is no longer available.

Current edition approved Oct. 1, 2008. Published November 2008. Originally approved in 1949. Last previous edition approved in 2007 as D1051 – 07. DOI: 10.1520/D1051-08.

² For referenced ASTM standards, visit the ASTM website, www.astm.org, or contact ASTM Customer Service at service@astm.org. For *Annual Book of ASTM Standards* volume information, refer to the standard's Document Summary page on the ASTM website.

[D570 Test Method for Water Absorption of Plastics](#)
[D573 Test Method for Rubber—Deterioration in an Air Oven](#)
[D624 Test Method for Tear Strength of Conventional Vulcanized Rubber and Thermoplastic Elastomers](#)
[D1415 Test Method for Rubber Property—International Hardness](#)
[D2240 Test Method for Rubber Property—Durometer Hardness](#)
[D2865 Practice for Calibration of Standards and Equipment for Electrical Insulating Materials Testing](#)
[F819 Terminology Relating to Electrical Protective Equipment for Workers](#)
[IEEE/ASTM SI 10 American National Standard for Metric Practice](#)

3. Terminology

3.1 *Definitions:*

3.1.1 *color splash*—a splash, smear, or streak of contrasting color evident on the inside or outside of the sleeves that was deposited during the dripping operation and is vulcanized into the sleeve as part of the homogeneous compound.

3.1.2 *halogenation treatment*—exposure of the entire sleeve surface area to a halogen for the purpose of reducing surface friction.

3.1.3 *user*—the employer or entity purchasing the equipment to be utilized by workers for their protection; in the absence of such an employer or entity, the individual purchasing and utilizing the protective equipment.

3.1.4 For definitions of other terms, refer to Terminology [F819](#).

4. Significance and Use

4.1 This specification covers the minimum electrical, chemical, and physical properties guaranteed by the manufacturer and the detailed procedures by which such properties are to be determined. The purchaser at his option may perform or have performed any of these tests in order to verify the guarantee. Claims for failure to meet the specification are subject to verification by the manufacturer.

4.2 Sleeves are used for personal protection; therefore, when authorizing their use, a margin of safety shall be allowed between the maximum voltage on which they are used and the

proof-test voltage at which they are tested. The relationship between proof-test voltage and the maximum voltage at which the sleeves shall be used is shown in **Table 1**.

4.3 Work practices vary from user to user, dependent upon many factors. These may include but are not limited to, operating system voltages, construction design, work procedure techniques, weather conditions, and so forth. Therefore, except for the restrictions set forth in this specification because of design limitations, the use and maintenance of this equipment is beyond the scope of this specification.

4.4 It is common practice and the responsibility of the user of this type of protective equipment to prepare complete instructions and regulations to govern the correct and safe use of such equipment.

5. Classification

5.1 Sleeves covered under this specification shall be designated as Type I or Type II; Class 0, Class 1, Class 2, Class 3, and Class 4; and Style A or Style B.

5.1.1 *Type I*, nonresistant to ozone, made from a high-grade *cis*-1,4-polyisoprene rubber compound of natural or synthetic origin, properly vulcanized.

5.1.2 *Type II*, resistant to ozone, made of any elastomer or combination of elastomeric compounds.

5.1.3 The class designation shall be based on the electrical properties as shown in **Table 1**.

5.1.4 *Style A*, straight taper design.

5.1.5 *Style B*, curved elbow design.

6. Ordering Information

6.1 Orders for sleeves under this specification should include the following information:

6.1.1 Type,

6.1.2 Class,

6.1.3 Style,

6.1.4 Size,

6.1.5 Color, and

6.1.6 With or without halogenation treatment.

6.2 The listing of types, classes, styles, sizes, and colors is not intended to mean that all shall necessarily be available from manufacturers; it signifies only that, if made, they shall conform to the details of this specification.

7. Manufacture and Marking

7.1 The sleeves shall be produced by a seamless process.

7.2 Sleeves shall have a smooth finish and self-reinforced edges.

7.3 The holes provided in sleeves for the purposes of strap or harness attachments shall have non-metallic reinforced edges and shall be nominally 8 mm ($\frac{5}{16}$ in.) in diameter.

7.4 Each sleeve shall be marked clearly and permanently with the name of the manufacturer or supplier, ASTM D1051, type, class, size, and right or left. All such marking shall be confined to the shoulder flap area and shall be nonconducting and applied in such a manner as to not impair the required properties of the sleeves.

7.4.1 A label shall be used to identify the voltage class: Class 0—red, Class 1—white, Class 2—yellow, Class 3—green, and Class 4—orange. The other required information in **7.4** may be placed on the label or molded directly into the sleeve.

7.4.2 To minimize problems of marking and identification, the following standard abbreviations may be used: Small (Sm), Regular (Rg), Large (Lg), Extra Large (XLg), and Class 1 (1), Class 2 (2), and so forth. Right or left shall not be abbreviated.

7.4.3 At the request of the user, the sleeves may be given a halogenation treatment to reduce surface friction. This treatment shall have no detrimental effect upon the electrical, chemical or physical properties of the sleeves.

8. Chemical and Physical Requirements

8.1 Sleeve test material taken from sample sleeves selected in accordance with **13.2** shall conform to the physical requirements in **Table 2** and the accelerated aging in **19.2.5**.

8.2 In the event of a dispute, the identification of the rubber polymer in Type I sleeves shall be performed in accordance with **19.1.1**.

8.3 The Type II sleeve material shall show no visible effects from ozone when tested in accordance with **18.7**. Any visible signs of ozone deterioration of the sleeve material such as checking, cracking, breaks, pitting, and so forth, shall be considered as evidence of failure to meet the requirements of Type II sleeves.

9. Electrical Requirements

9.1 Each sleeve shall be given a proof test and shall withstand the 60-Hz ac proof-test voltage (rms value) or the dc proof-test voltage (average value) specified in **Table 1**. The proof test shall be performed in accordance with Section 18. The voltage shall be applied continuously for 3 min.

9.2 Sample sleeve material selected in accordance with **13.2**, when tested between 50-mm (2-in.) disk electrodes with edges rounded to a radius of 6 mm (0.25 in.), shall show a

TABLE 1 Proof Test/Use Voltage Relationship

Class of Sleeve	AC Proof-Test Voltage rms V	DC Proof-Test Voltage avg, V	Maximum Use Voltage ac (rms), V	Maximum Use Voltage, DC, avg, V
0	5 000	20 000	1 000	1 500
1	10 000	40 000	7 500	11 250
2	20 000	50 000	17 000	25 500
3	30 000	60 000	26 500	39 750
4	40 000	70 000	36 000	54 000

TABLE 2 Physical Requirements

Property	Type I	Type II
Tensile strength, min, Die C, MPa (psi)	17.2 (2500)	10.3 (1500)
Tensile stress at 200 %, max, MPa (psi)	2.1 (300)	2.1 (300)
Ultimate elongation, min, %	600	500
Tension set, max at 400 %, %	25	25
Tear resistance, min, kN/m (lbf/in.)	21 (120)	14 (80)
Puncture resistance, min, kN/m (lbf/in.)	18 (100)	18 (100)
Hardness, Shore A, max	47	47
Moisture absorption, max, %	1.5	1.5

60-Hz dielectric strength of not less than 14.8 MV/m (375 V rms/mil) of specimen thickness for each individual test.

10. Dimensions and Permissible Variations

10.1 Sample sleeves selected in accordance with 13.2 shall fall within the thickness limits specified in Table 3 when measured in accordance with 17.1.

10.2 Sample sleeves selected in accordance with 13.2 shall fall within the dimension limits specified in Table 4 for each size and style when measured in accordance with 17.2 in conjunction with Fig. 1 and Fig. 2. Variations in sleeve length and wrist dimensions are acceptable when required to meet special physical requirements.

10.2.1 The taper of sleeves should be uniform as this is significant because of the advent of dry-form electrical testing.

11. Workmanship and Finish

11.1 Sleeves shall be free on both inner and outer surfaces of harmful physical irregularities that can be detected by thorough test and inspection.

11.1.1 Harmful physical irregularities may be defined as any feature that disrupts the uniform, smooth surface contour and represents a potential hazard to the user, such as pinholes, cracks, blisters, cuts, conductive embedded foreign matter, creases, pinch marks, voids (entrapped air), prominent ripples, and prominent mold marks.

11.2 Nonharmful physical irregularities may be defined as surface irregularities present on the inner and outer surfaces of the rubber sleeve due to imperfections on forms or molds and inherent difficulties in the manufacturing process. These irregularities may appear as mold marks that look like cuts even though they are actually a raised ridge of rubber, indentations, protuberances, embedded foreign material, or color splashes that are acceptable provided that:

11.2.1 The indentations, protuberance or mold marks tend to blend into a smooth slope upon stretching of the material.

11.2.2 The rubber thickness at any irregularity conforms to the thickness requirements.

TABLE 3 Thickness

Class of Sleeve	Minimum		Maximum	
	mm	in.	mm	in.
0	0.51	0.020	1.02	0.040
1	0.76	0.030	1.52	0.060
2	1.27	0.050	2.54	0.100
3	1.90	0.075	2.92	0.115
4	2.54	0.100	3.56	0.140

11.2.3 Foreign material remains in place when the sleeve is folded and stretched with the material surrounding it.

11.2.4 Color splashes are no longer than 3 mm in any direction on a surface of the sleeve.

12. Guarantee

12.1 The manufacturer or supplier shall replace, without charge to the purchaser, unused sleeves which, at any time within a period of 9 months from date of initial delivery of shipment to the purchaser or designee, fail to pass the tests in this specification. This guarantee will be binding on the manufacturer or supplier only if the sleeves have been properly stored and have not been subjected to more than an original acceptance test and one retest.

12.2 Any acceptance test made by the purchaser or the purchaser's designee, shall be performed within the first two months of the guarantee period unless otherwise specified.

NOTE 1—Proper storage means that sleeves are stored right side out, not distorted and not stored directly above or in proximity to steam pipes, radiators, or other sources of artificial heat, or exposed to direct sunlight or other sources of ozone. It is desirable that the ambient storage temperature shall not exceed 35°C (95°F).

13. Sampling

13.1 Each sleeve in a lot or shipment shall be subject to inspection and test to meet the requirements of Sections 7, 11, and 15, and 9.1.

13.2 An original sample of 1 % of the lot or shipment or not less than two sleeves, whichever is greater, shall be selected at random from the lot or shipment for the test requirements of Sections 10 and 9.2. Where a failure occurs in the first sample, a second sample of the same quantity shall be selected and tested.

13.3 An original sample of 0.1 % of the lot or shipment or not less than two sleeves, whichever is greater, shall be selected at random from the lot or shipment for the test requirements of Section 8.

14. Rejection

14.1 Individual sleeves shall be rejected if they fail to meet requirements of Sections 7 and 11, 9.1 and the minimum thickness requirement of 10.1.

14.2 Individual sleeves may be rejected at the option of the purchaser if they fail to meet the requirements of Sections 15 and 10.2.

14.3 The entire lot or shipment of sleeves shall be rejected under any of the following conditions:

14.3.1 If 5 % or more, but not less than two sleeves, in a lot or shipment fail to meet the requirements of 9.1.

14.3.2 If two dielectric breakdowns that do not meet the requirements of 9.2 occur in the sample.

14.3.3 If one dielectric breakdown in the original sample and one or more dielectric breakdowns in the second sample fail to meet the requirements of 9.2.

14.3.4 If the sample of Type II sleeves using the sampling methods of 13.3 fails to meet the requirements of 8.3.

TABLE 4 Dimensions and Tolerances

Style	Size	Dimensions ^A							
		A		B		C		D	
		mm	in.	mm	in.	mm	in.	mm	in.
Straight taper (Fig. 1)	small	616	24 ¹ / ₄	384	15 ¹ / ₈	317	12 ¹ / ₂	146	5 ³ / ₄
	regular	667	26 ¹ / ₄	394	15 ¹ / ₂	286	11 ¹ / ₄	140	5 ¹ / ₂
	large	724	28 ¹ / ₂	432	17	327	12 ⁷ / ₈	175	6 ⁷ / ₈
	extra large	762	30	483	19	337	13 ¹ / ₄	175	6 ⁷ / ₈
Curved elbow (Fig. 2)	small	616	24 ¹ / ₄	384	15 ¹ / ₈	317	12 ¹ / ₂	146	5 ³ / ₄
	regular	673	26 ¹ / ₂	394	15 ¹ / ₂	311	12 ¹ / ₄	146	5 ¹ / ₄
	large	705	27 ³ / ₄	406	16	327	12 ⁷ / ₈	175	6 ⁷ / ₈
	extra large	749	29 ¹ / ₂	445	17 ¹ / ₂	327	12 ⁷ / ₈	178	7

^ATolerances shall be as follows:
 A—±13 mm (±½ in.)
 B—Minimum allowable length
 C—±13 mm (±½ in.)
 D—±6 mm (±¼ in.)

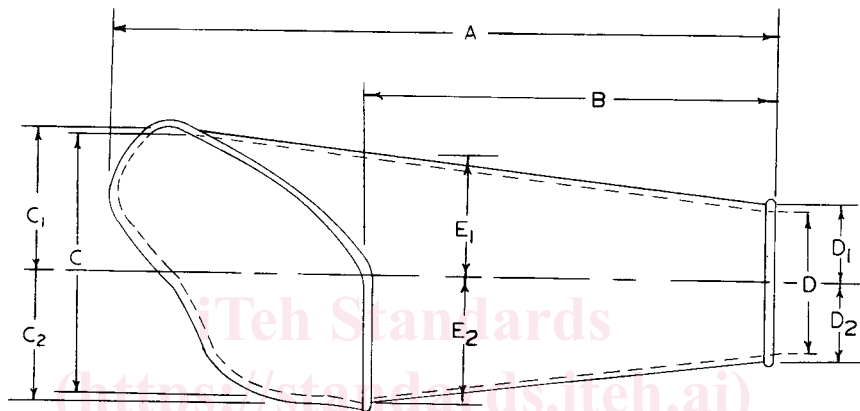


FIG. 1 Style A, Straight Taper Sleeve

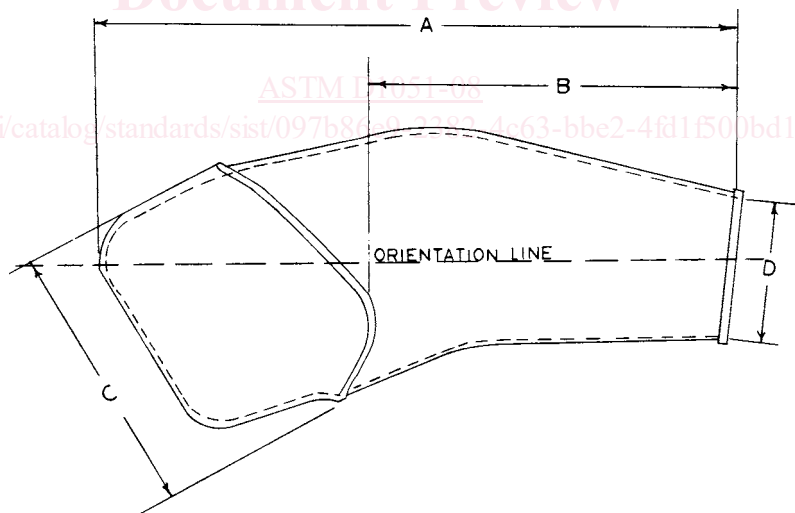


FIG. 2 Style B, Curved Elbow Sleeve

14.4 The testing shall be terminated and the manufacturer or supplier notified if, during the course of testing, the sleeves in a lot or shipment fail to meet the requirements of 8.3, 9.1, or 9.2, as determined by the rejection criteria of 14.3.1, 14.3.2, 14.3.3, or 14.3.4. The manufacturer or supplier may in such a

case require the purchaser to submit proof that the test procedure and equipment conform to the appropriate paragraphs of Section 18. When such proof has been furnished, the manufacturer or supplier may request that his representative witness the testing of additional sleeves from the shipment.

14.5 The entire lot or shipment may be rejected at the option of the purchaser, if two specimens of the first sample and one of the second sample, selected in accordance with 13.3, fail any of the separate requirements outlined in Section 8.

14.6 The entire lot or shipment of sleeves may be rejected at the option of the purchaser if 25 % of the sleeves in the lot or shipment fail to meet the requirements of Section 10 or 11.

14.7 All rejected material shall be returned as directed by the manufacturer, at his or the supplier's request, without being defaced by rubber stamp or other permanent marking. However, those sleeves punctured when tested under 9.1 and 9.2 shall be stamped, punched, or cut prior to being returned to the supplier to indicate that they are unfit for electrical use.

15. Packaging and Package Marking

15.1 Each pair of sleeves shall be packed in an individual container of sufficient strength to properly protect the sleeves from damage in transit. The end of the container shall be marked with the name of the manufacturer or supplier, type, class, style, size, and color.

TEST METHODS

16. Sequence of Testing

16.1 The following order of procedure is suggested for testing rubber insulating sleeves:

- 16.1.1 Inspection of the surfaces in accordance with Section 11.
- 16.1.2 The dimensions in accordance with Section 17.
- 16.1.3 Electrical proof tests in accordance with 18.5.2 or 18.6.2.
- 16.1.4 Breakdown voltage tests in accordance with 18.5.3.
- 16.1.5 Ozone resistance tests in accordance with 18.7.
- 16.1.6 Chemical and physical property tests in accordance with Section 19.

17. Dimension Measurements

17.1 *Thickness:*

17.1.1 Thickness measurements shall be made at eight or more points uniformly distributed over the total area of the sleeve.

17.1.2 Thickness measurements shall be made on complete sleeves with a micrometer graduated to within 0.025 mm (0.001 in.), having an anvil about 6 mm (0.25 in.) in diameter and a presser foot 3.17 ± 0.25 mm (0.125 ± 0.001 in.) in diameter. The presser foot shall exert a total force of 0.83 ± 0.03 N (3.0 ± 0.1 ozf). Sufficient support shall be given to the sleeve so that it will present an unstressed, flat surface between the anvil faces of the micrometer.

NOTE 2—A dial-type micrometer graduated in millimetres or inches and mounted in a manner similar to that shown in Fig. 3 is particularly convenient for making these measurements.

17.2 *Other Dimensions:*

17.2.1 *Straight Taper Sleeves*—Dimensions of straight taper sleeves, as illustrated in Fig. 1 and specified in Table 4, shall be determined with the sleeve in a flattened condition (that is, with one side firmly and uniformly pressed against the other). A convenient device for measuring is a board with a center line upon which the sleeve is placed so that D_1 equals D_2 and E_1 equals E_2 , in which case C_1 will be greater than C_2 .

17.2.1.1 *Dimension A*—The overall length shall be measured from the outside edge of the wrist opening to the outside edge of the shoulder opening, parallel to the center line.

17.2.1.2 *Dimension B*—The underarm length shall be measured from the outside edge of the cuff opening to the lowest point of the underarm opening along the center line.

17.2.1.3 *Dimension C*—The shoulder opening width shall be the sum of C_1 and C_2 minus twice the thickness of the sleeve, measured perpendicular to the center line as shown in Fig. 1.

17.2.1.4 *Dimension D*—The wrist opening width shall be the sum of D_1 and D_2 minus twice the thickness of the sleeve, measured perpendicular to the center line as shown in Fig. 1.

17.2.2 *Curved Elbow Sleeves*—Dimensions of curved elbow sleeves, as illustrated in Fig. 2 and specified in Table 4, shall be determined with the sleeve in a flattened condition (that is, with

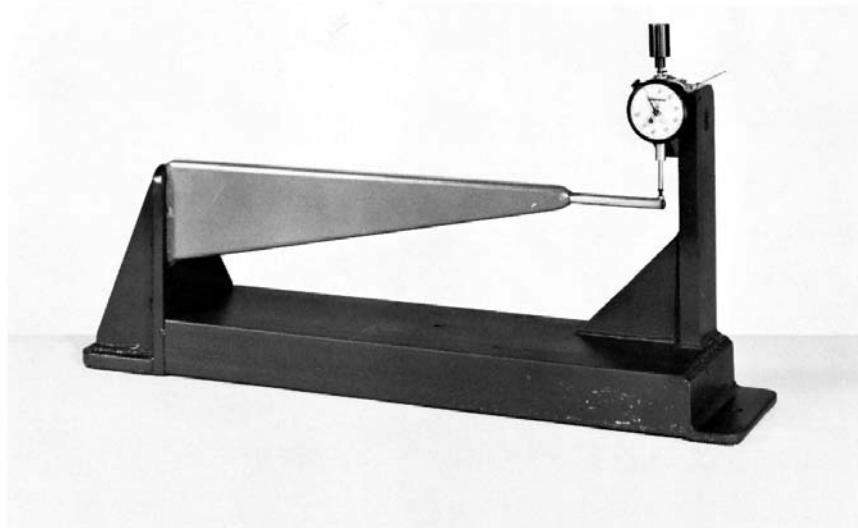


FIG. 3 Dial-Micrometer for Measuring Sleeve Thickness

one side firmly and uniformly pressed against the other). The sleeve shall be oriented along a line from the midpoint of the wrist opening through the center of the uppermost button hole.

17.2.2.1 *Dimension A*—The overall length shall be measured from the outside edge at the midpoint of the wrist opening to the outside edge of the shoulder opening, parallel to the orientation line.

17.2.2.2 *Dimension B*—The underarm length shall be measured from the outside edge at the midpoint of the wrist opening to the lowest point of the shoulder, parallel to the orientation line.

17.2.2.3 *Dimension C*—The shoulder opening width shall be measured as the maximum width at the shoulder opening minus twice the sleeve thickness.

17.2.2.4 *Dimension D*—The wrist opening width shall be measured as the outside width above the reinforcing edge at the wrist opening minus twice the sleeve thickness.

18. Electrical Tests

18.1 All electrical tests shall be performed on sleeves right side out and at room temperature. Four methods of mounting sleeves are provided, with test limitations on some of the methods. Electrode to electrode clearances shall be as specified in [Table 5](#).

NOTE 3—Both ac and dc proof-test procedures are included in this section. It is intended that one mounting method and one testing procedure be selected for the electrical tests. The method and procedure selected shall be at the option of the purchaser, and the supplier should be so notified of the selection.

18.2 **Warning**—It is recommended that the test apparatus be designed to afford the operator full protection in the performance of his duties. Reliable means of de-energizing and grounding the high-voltage circuit shall be provided. It is particularly important to incorporate a positive means of grounding the high-voltage section dc test apparatus due to the likely presence of high-voltage capacitance charges at the conclusion of the test.

18.3 *Electrodes*—Water electrodes shall be free of air bubbles and air pockets, particularly in contact with the sleeves. Other electrodes shall fit sleeves as snugly as possible and without distortion. Areas not in contact with the electrodes shall be dry to prevent flashovers.

18.3.1 Water Electrodes, Inverted Mounting:

18.3.1.1 The small end of the sleeve shall be inverted and pulled through to the large end to form an annular trough as shown in cross section in [Fig. 4](#). The sleeve shall be immersed

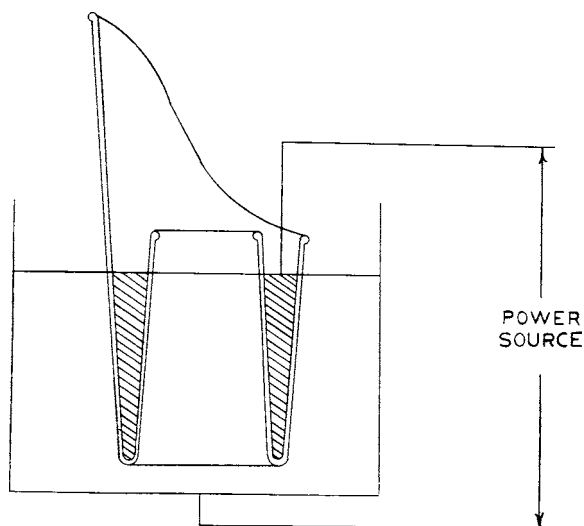


FIG. 4 Water Electrodes, Inverted Mounting

in water and the trough filled with water until the levels both inside and outside the trough are the same. Particular care should be taken to avoid any sharp folds in the sleeve, which may cause premature dielectric breakdown at these points. (See [Note 4](#).)

NOTE 4—Use of this method may result in excessive breakdown failures when tested above 10 000 V ac or 50 000 V dc if the test apparatus does not conform with [18.4.2](#).

18.3.2 *Water Electrodes, Sling Mounting*—A pipe or rod of noninsulating material at least 51 mm (2.0 in.) shall be placed across the sleeve at about the midpoint between the cuff and underarm edge. The pipe or rod should be of sufficient weight to hold the sleeve down to prevent creasing and its length should be no less than the width of the sleeve. The sleeve shall be immersed in water with the roll in place and filled with water until the water levels are the same both inside and outside the sleeve and the cuff and underarm edges are equidistant above the water line as shown in cross section in [Fig. 5](#). Particular care should be taken to avoid any sharp folds

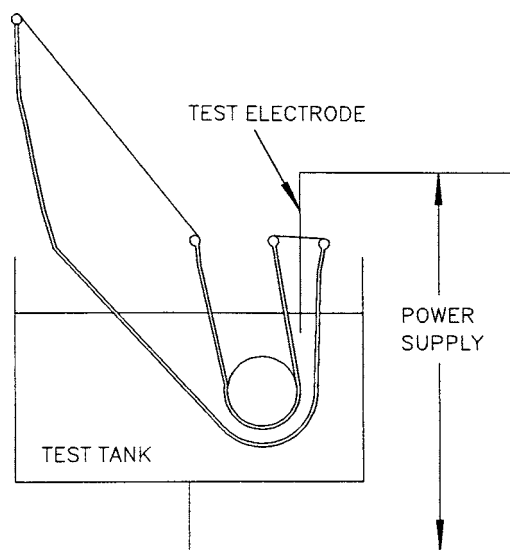


FIG. 5 Water Electrodes, Sling Mounting

TABLE 5 Clearances Between Electrodes ^{A,B}

Class	AC Proof Test		DC Proof Test	
	mm	in.	mm	in.
0	76	3	76	3
1	76	3	102	4
2	127	5	152	6
3	178	7	203	8
4	254	10	254	10

^AClearance is the shortest electrical path from electrode to electrode around the open edge of the sleeve. Permissible tolerance equals ± 25 mm (± 1.0 in.).

^BIn those cases where atmospheric conditions make the specified clearances impractical, the clearances may be increased by a maximum of 50 mm (2.0 in.).