



Standard Specification for Poly(Vinyl Chloride) (PVC) Plastic Drain, Waste, and Vent Pipe and Fittings¹

This standard is issued under the fixed designation D 2665; the number immediately following the designation indicates the year of original adoption or, in the case of revision, the year of last revision. A number in parentheses indicates the year of last reapproval. A superscript epsilon (ϵ) indicates an editorial change since the last revision or reapproval.

This standard has been approved for use by agencies of the Department of Defense.

1. Scope*

1.1 This specification covers requirements and test methods for materials, dimensions and tolerances, pipe stiffness, crush resistance, impact resistance, and solvent cement for poly(vinyl chloride) plastic drain, waste, and vent pipe and fittings. A form of marking is also included. Plastic which does not meet the material requirements specified in Section 5 is excluded. Installation procedures are given in the Appendix.

1.2 The values stated in inch-pound units are to be regarded as standard. The values given in parentheses are mathematical conversions to SI units that are provided for information only and are not considered standard.

1.3 The text of this specification references notes, footnotes, and appendixes which provide explanatory material. These notes and footnotes (excluding those in tables and figures) shall not be considered as requirements of the specification.

1.4 The following safety hazards caveat pertains only to the test methods portion, Section 7, of this specification: *This standard does not purport to address all of the safety concerns, if any, associated with its use. It is the responsibility of the user of this standard to establish appropriate safety and health practices and determine the applicability of regulatory limitations prior to use.*

2. Referenced Documents

2.1 ASTM Standards:²

- D 618 Practice for Conditioning Plastics for Testing
- D 1600 Terminology for Abbreviated Terms Relating to Plastics

¹ This specification is under the jurisdiction of ASTM Committee F17 on Plastic Piping Systems and is the direct responsibility of Subcommittee F17.63 on DWV. Current edition approved Nov. 1, 2008. Published November 2008. Originally approved in 1968. Last previous edition approved in 2008 as D 2665 – 08a.

² For referenced ASTM standards, visit the ASTM website, www.astm.org, or contact ASTM Customer Service at service@astm.org. For *Annual Book of ASTM Standards* volume information, refer to the standard's Document Summary page on the ASTM website.

- D 1784 Specification for Rigid Poly(Vinyl Chloride) (PVC) Compounds and Chlorinated Poly(Vinyl Chloride) (CPVC) Compounds
- D 2122 Test Method for Determining Dimensions of Thermoplastic Pipe and Fittings
- D 2412 Test Method for Determination of External Loading Characteristics of Plastic Pipe by Parallel-Plate Loading
- D 2444 Test Method for Determination of the Impact Resistance of Thermoplastic Pipe and Fittings by Means of a Tup (Falling Weight)
- D 2564 Specification for Solvent Cements for Poly(Vinyl Chloride) (PVC) Plastic Piping Systems
- D 3311 Specification for Drain, Waste, and Vent (DWV) Plastic Fittings Patterns
- D 4396 Specification for Rigid Poly(Vinyl Chloride) (PVC) and Chlorinated Poly(Vinyl Chloride) (CPVC) Compounds for Plastic Pipe and Fittings Used in Nonpressure Applications
- F 402 Practice for Safe Handling of Solvent Cements, Primers, and Cleaners Used for Joining Thermoplastic Pipe and Fittings
- F 412 Terminology Relating to Plastic Piping Systems
- F 1498 Specification for Taper Pipe Threads 60° for Thermoplastic Pipe and Fittings
- F 1866 Specification for Poly (Vinyl Chloride) (PVC) Plastic Schedule 40 Drainage and DWV Fabricated Fittings
- F 2135 Specification for Molded Drain, Waste, and Vent (DWV) Short-Pattern Plastic Fittings

3. Terminology

3.1 *Definitions*—Definitions are in accordance with Terminology F 412, and abbreviations are in accordance with Terminology D 1600, unless otherwise specified.

4. Significance and Use

4.1 The requirements of this specification are intended to provide pipe and fittings suitable for the drainage and venting of sewage and certain other liquid wastes.

*A Summary of Changes section appears at the end of this standard.

NOTE 1—Industrial waste disposal lines should be installed only with the specific approval of the cognizant building code authority since chemicals not commonly found in drains and sewers and temperatures in excess of 180°F (82.2°C) may be encountered.

NOTE 2—This specification does not include requirements for pipe and fittings intended to be used to vent combustion gases.

5. Materials

5.1 *Basic Materials*—The pipe shall be made of virgin PVC compounds meeting or exceeding the requirements of Class 12454 as defined in Specification D 1784. The fittings shall be made of virgin PVC compounds meeting or exceeding the requirements of Class 12454 as defined in Specification D 1784 or Class 11432 as defined in Specification D 4396. These plastics contain stabilizers, lubricants, and pigments.

5.2 *Rework Material*—The manufacturer shall use only his own clean pipe or fitting rework material, and the pipe or fittings produced shall meet all the requirements of this specification.

5.3 *Solvent Cement*—The solvent cement used to join pipe and fittings made to this specification shall meet the requirements of Specification D 2564.

6. Requirements

6.1 *General*—The pipe and fittings shall be homogeneous throughout and free of visible cracks, holes, foreign inclusions, or other injurious defects. The pipe shall be as uniform as commercially practicable in color, opacity, density, and other physical properties.

6.1.1 The requirements in this section are intended only for use as quality control tests, not as simulated service tests.

6.2 Dimensions and Tolerances:

6.2.1 *Method*—All dimensions shall be determined in accordance with Test Method D 2122.

6.2.2 Dimensions:

6.2.2.1 The outside diameter and wall thicknesses of pipe shall meet the requirements of Table 2. The pipe shall be in either 10 or 20-ft (3.05 or 6.1-m) lengths, unless otherwise specified, with an allowable tolerance of +½, -0 in. (+13, -0 mm).

6.2.2.2 The patterns, dimensions, and laying lengths of fittings, including adaptors, shall meet the requirements of Specification D 3311 and Table 1.

6.2.2.3 The patterns, dimensions, and laying lengths of Short-Pattern fittings shall meet the requirements of Specification F 2135.

6.2.2.4 The spigot dimensions of fittings shall meet the requirements of Table 2.

6.2.2.5 For all fittings having taper pipe threads, threads shall conform to Specification F 1498 and be gaged in accordance with 7.5. Fittings of nominal sizes not given in Specification F 1498 shall not have threads.

6.2.2.6 Fabricated DWV fittings shall comply with F 1866.

6.3 Pipe Stiffness, Deflection Load and Flattening:

6.3.1 *Pipe*—The minimum pipe stiffness at 5 % deflection shall be in accordance with Table 3. The pipe shall deflect by 60 % of the nominal outside diameter (flattening) without cracking, rupture, or other visible evidence of failure when tested in accordance with 7.4.

6.3.1.1 *Pipe Stiffness (PS)*—Three specimens shall be tested. If all three meet the PS requirement, the sample meets the PS requirement. If one or two fail, additional testing shall be conducted in accordance with 6.3.1.2. If all three fail, the sample does not meet the PS requirement.

6.3.1.2 *Pipe Stiffness and Lower Confidence Limit*—In the event that one or two of the specimens tested in 6.3.1 fail to meet the minimum PS requirement, the average pipe stiffness of eleven specimens shall meet or exceed the minimum requirement given in Table 3. The 99 % lower confidence limit (LCL) shall be within 15 % of the average value. The LCL shall be calculated using the Student's "t" distribution, with $N-1$ degrees of freedom, where N is the number of specimens. The critical t value shall be used to at least three significant digits. Alternatively, if the LCL exceeds the minimum PS requirement in Table 3, but is not within 15 % of the average, the sample meets the requirements of the pipe stiffness testing. The eleven specimens include the three tested under 6.3.1, and an additional eight with rotation by 35°, as specified in Test Method D 2412, continuing throughout the remaining specimens.

6.3.1.3 The LCL based on testing eleven specimens is calculated as follows:

$$\text{LCL} = (\text{avg PS}) - \{2.76(\text{std. dev.})/\sqrt{(N)}\} \quad (1)$$

where:

$$(\text{avg PS}) = [\sum(\text{PS}_i)]/N \quad (2)$$

$$(\text{std. dev.}) = \left[\frac{\sum \text{PS}^2 - (\sum \text{PS})^2 / N}{N - 1} \right]^{1/2}$$

$N = 11$

6.3.1.4 The 15 % requirement is calculated as follows:

$$(\text{Avg} - \text{LCL})/(\text{Avg}) \times 100 \leq 15 \% \quad (3)$$

NOTE 3—The 5 % deflection criterion, which was arbitrarily selected for testing convenience, should not be considered as a limitation with respect to in-use deflection. The engineer is responsible for establishing the acceptable deflection.

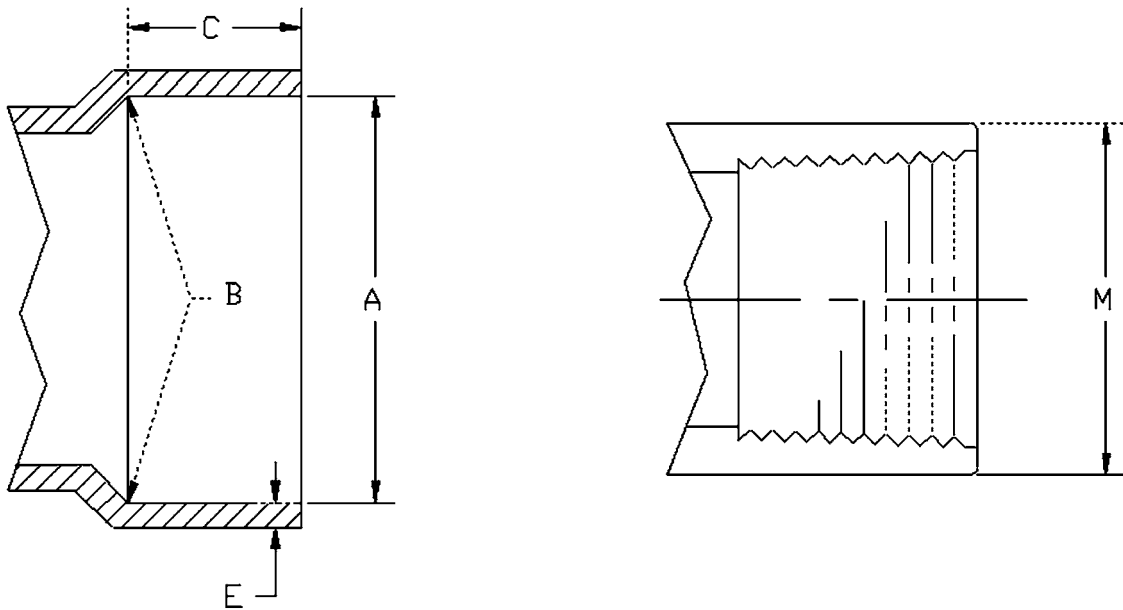
6.3.2 *Fittings*—Individual fittings unassembled shall withstand a minimum load of 750 lbf/ft (11 kN/m) of centerline length without cracking or other visible evidence of failure when tested in accordance with 7.4.

6.4 *Impact Resistance*—The minimum impact resistance of pipe and fittings, when tested at the time of manufacture, shall comply with Table 4. Test in accordance with Test Method D 2444 using Tup C and Holder A for pipe and Tup A and Holder B for fittings. Use a 12-lb (5-kg) tup for testing pipe sizes 4 in. and smaller and a 20-lb (10-kg) tup for pipe larger than 4 in. Test fittings with a 12-lb (5-kg) Tup. Test couplings cemented to short pieces of pipe and allowed to dry for 24 h. For fittings larger than 4-in, a symmetric section cut from the hub or body with a minimum centerline length of 2 in. shall be permitted to be used rather than the entire fitting.

6.4.1 Test 10 specimens. When 9 or 10 specimens pass, accept the lot. When 2 or more specimens fail, test 10 additional specimens. When 17 of 20 specimens tested pass, accept the lot. When 4 or more of 20 specimens tested fail, test

TABLE 1 Dimensions and Tolerances for Fitting Sockets for PVC Plastic Drain, Waste and Vent Pipe Fittings

Table 1 Dimensions and Tolerances for PVC Schedule 40 Drain, Waste, and Vent Fittings



| Nominal Pipe Size | A | | | B | | | C | E | Internal Threads | |
|-------------------|--------------------------|--------------------------------|------------------|------------------------|-------------------|------------------|-------------------|----------------------------------|----------------------------------|--------------------|
| | Socket Entrance Diameter | | | Socket Bottom Diameter | | | Socket Depth, min | Wall thickness min. ^A | Outside Diameter of Hub, M, min. | Thread length min. |
| | Average | Tolerance on Avg. | Out-of-Roundness | Average | Tolerance on Avg. | Out-of-Roundness | | | | |
| | in. (mm) | | | | | | | | | |
| 1¼ | 1.675 (42.54) | +0.010/-0.005 (+0.25/-0.13) | 0.024 (0.61) | 1.655 (42.04) | ±0.005 (±0.13) | 0.024 (0.61) | 0.687 (17.44) | 0.156 (3.96) | 1.871 (47.52) | 0.687 (17.44) |
| 1½ | 1.915 (48.64) | +0.010/-0.005 (+0.25/-0.13) | 0.024 (0.61) | 1.894 (48.11) | ±0.006 (±0.15) | 0.024 (0.61) | 0.687 (17.44) | 0.156 (3.96) | 2.127 (54.03) | 0.687 (17.44) |
| 2 | 2.390 (60.71) | +0.010/-0.005 (+0.25/-0.13) | 0.024 (0.61) | 2.369 (60.17) | ±0.006 (±0.15) | 0.024 (0.61) | 0.750 (19.05) | 0.156 (3.96) | 2.634 (66.90) | 0.750 (19.05) |
| 3 | 3.520 (89.41) | +0.010/-0.005 (+0.25/-0.13) | 0.030 (0.76) | 3.492 (88.70) | ±0.008 (±0.20) | 0.030 (0.76) | 1.500 (38.10) | 0.219 (5.56) | 3.841 (97.56) | 1.187 (30.15) |
| 4 | 4.520 (114.8) | +0.010/-0.005 (+0.25/-0.13) | 0.030 (0.76) | 4.491 (114.1) | ±0.009 (±0.23) | 0.030 (0.76) | 1.750 (44.45) | 0.250 (6.35) | 4.907 (124.6) | 1.28 (32.54) |
| 6 | 6.647 (168.8) | +0.015/-0.010 (+0.38/-0.25) | 0.060 (1.52) | 6.614 (168.0) | ±0.011 (±0.28) | 0.060 (1.52) | 3.000 (76.20) | 0.281 (7.14) | 7.203 (183.0) | 1.500 (38.10) |
| 8 | 8.655 (219.8) | +0.030/-0.000 (+0.76/-0.00) | 0.090 (2.29) | 8.610 (218.7) | ±0.015 (±0.38) | 0.090 (2.29) | 4.000 (101.6) | 0.328 (8.33) | <i>B</i> | <i>B</i> |
| 10 | 10.780 (273.8) | +0.025/-0.020 (+0.64/-0.51) | 0.120 (3.05) | 10.737 (272.7) | ±0.015 (±0.38) | 0.120 (3.04) | 5.000 (127.0) | 0.365 (9.28) | <i>B</i> | <i>B</i> |
| 12 | 12.780 (324.6) | +0.030/-0.025 (+0.76/-0.64) | 0.150 (3.81) | 12.736 (323.5) | ±0.015 (±0.38) | 0.150 (3.81) | 6.000 (152.4) | 0.406 (10.3) | <i>B</i> | <i>B</i> |

^A The wall thickness is a minimum value except that a ±10% variation resulting from core shift is allowable. In such case, the average of the two opposite wall thicknesses shall equal or exceed the value shown in the table.

^B Not applicable for these nominal sizes.

20 additional specimens. When 32 of 40 specimens pass, accept the lot. When 9 or more of 40 specimens fail, the lot does not meet the requirements of this specification.

6.4.2 Failure in the test specimens shall be shattering or any crack or break extending entirely through the pipe wall and visible to the unaided eye.