

---

---

**Stereomicroscopes — Information  
provided to the user**

*Stéréo-microscopes — Informations délivrées à l'utilisateur*

iTeh Standards  
(<https://standards.iteh.ai>)  
Document Preview

[ISO 15362:2014](https://standards.iteh.ai/catalog/standards/iso/5c23df67-abba-40f0-9107-ff030d542936/iso-15362-2014)

<https://standards.iteh.ai/catalog/standards/iso/5c23df67-abba-40f0-9107-ff030d542936/iso-15362-2014>



iTeh Standards  
(<https://standards.iteh.ai>)  
Document Preview

[ISO 15362:2014](#)

<https://standards.iteh.ai/catalog/standards/iso/5c23df67-abba-40f0-9107-ff030d542936/iso-15362-2014>



**COPYRIGHT PROTECTED DOCUMENT**

© ISO 2014

All rights reserved. Unless otherwise specified, no part of this publication may be reproduced or utilized otherwise in any form or by any means, electronic or mechanical, including photocopying, or posting on the internet or an intranet, without prior written permission. Permission can be requested from either ISO at the address below or ISO's member body in the country of the requester.

ISO copyright office  
Case postale 56 • CH-1211 Geneva 20  
Tel. + 41 22 749 01 11  
Fax + 41 22 749 09 47  
E-mail [copyright@iso.org](mailto:copyright@iso.org)  
Web [www.iso.org](http://www.iso.org)

Published in Switzerland

# Contents

	Page
Foreword .....	iv
<b>1 Scope</b> .....	<b>1</b>
<b>2 Normative references</b> .....	<b>1</b>
<b>3 Data provided by the manufacturer</b> .....	<b>1</b>
3.1 General .....	1
3.2 General data concerning the stereomicroscope .....	1
3.3 Main body including tube .....	3
3.4 Objective (if removable or switchable) .....	3
3.5 Eyepieces .....	3
3.6 Dimensions of the stand (see <a href="#">Figure 1</a> ) .....	3
3.7 Accessories .....	4

iTeh Standards  
(<https://standards.itih.ai>)  
Document Preview

[ISO 15362:2014](#)

<https://standards.itih.ai/catalog/standards/iso/5c23df67-abba-40f0-9107-ff030d542936/iso-15362-2014>

## Foreword

ISO (the International Organization for Standardization) is a worldwide federation of national standards bodies (ISO member bodies). The work of preparing International Standards is normally carried out through ISO technical committees. Each member body interested in a subject for which a technical committee has been established has the right to be represented on that committee. International organizations, governmental and non-governmental, in liaison with ISO, also take part in the work. ISO collaborates closely with the International Electrotechnical Commission (IEC) on all matters of electrotechnical standardization.

The procedures used to develop this document and those intended for its further maintenance are described in the ISO/IEC Directives, Part 1. In particular the different approval criteria needed for the different types of ISO documents should be noted. This document was drafted in accordance with the editorial rules of the ISO/IEC Directives, Part 2 (see [www.iso.org/directives](http://www.iso.org/directives)).

Attention is drawn to the possibility that some of the elements of this document may be the subject of patent rights. ISO shall not be held responsible for identifying any or all such patent rights. Details of any patent rights identified during the development of the document will be in the Introduction and/or on the ISO list of patent declarations received (see [www.iso.org/patents](http://www.iso.org/patents)).

Any trade name used in this document is information given for the convenience of users and does not constitute an endorsement.

For an explanation on the meaning of ISO specific terms and expressions related to conformity assessment, as well as information about ISO's adherence to the WTO principles in the Technical Barriers to Trade (TBT) see the following URL: Foreword - Supplementary information

The committee responsible for this document is ISO/TC 172, *Optics and photonics*, Subcommittee SC 5, *Microscopes and endoscopes*.

This second edition cancels and replaces the first edition (ISO 15362:1998), which has been technically revised.

[ISO 15362:2014](https://standards.iteh.ai/catalog/standards/iso/5c23df67-abba-40f0-9107-ff030d542936/iso-15362-2014)

<https://standards.iteh.ai/catalog/standards/iso/5c23df67-abba-40f0-9107-ff030d542936/iso-15362-2014>

# Stereomicroscopes — Information provided to the user

## 1 Scope

This International Standard specifies the minimum information to be provided by the manufacturer of stereomicroscopes to the user.

In addition to the mandatory information **(m)**, further data are recommended (r).

## 2 Normative references

The following documents, in whole or in part, are normatively referenced in this document and are indispensable for its application. For dated references, only the edition cited applies. For undated references, the latest edition of the referenced document (including any amendments) applies.

ISO 11883, *Optics and optical instruments — Microscopes — Marking of stereomicroscopes*

## 3 Data provided by the manufacturer

### 3.1 General

The following data shall be provided by the stereomicroscope manufacturer when the respective assemblies feature the properties described.

The format of the data shall be in accordance with ISO 11883.

- a) details of origin;
- b) **(m)** manufacturer;
- c) (r) country of origin, if required.

### 3.2 General data concerning the stereomicroscope

- a) **(m)** magnification;
- b) **(m)** zoom range or number of discrete steps;
- c) **(m)** object field diameter;
- d) **(m)** free working distance  $d_1$  (see [Figure 1](#));
- e) (r) numerical aperture.

NOTE This data can be compiled as shown in [Table 1](#). Where magnifications are changeable, all data is intended to be/can be given for the minimum and maximum values.

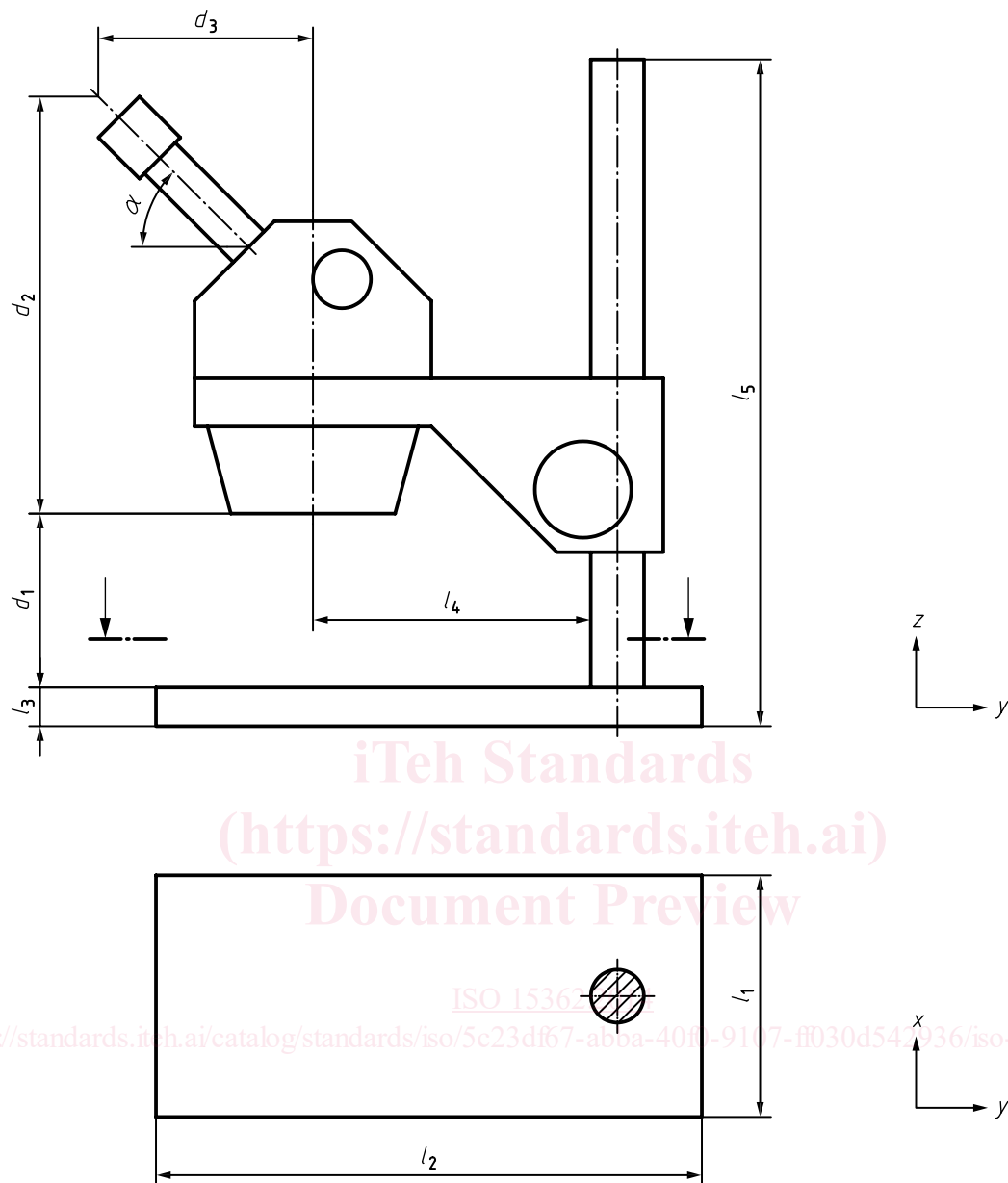


Figure 1 — Dimensions of the microscope and of the stand