

---

---

**Road vehicles — Sheath-type glow-plugs with conical seating and their cylinder head housing —**

**Part 4:  
M8 x 1 glow-plugs**

**iTeh STANDARD PREVIEW**  
*Véhicules routiers — Bougies de préchauffage à fourreau et à siège conique, et leur logement dans la culasse —*  
*Partie 4: Bougies M8 x 1*  
(standards.iteh.ai)

[ISO 6550-4:2014](https://standards.iteh.ai/catalog/standards/sist/2ef81892-7d93-4d41-a514-2302b34b4db5/iso-6550-4-2014)

<https://standards.iteh.ai/catalog/standards/sist/2ef81892-7d93-4d41-a514-2302b34b4db5/iso-6550-4-2014>



**iTeh STANDARD PREVIEW**  
**(standards.iteh.ai)**

[ISO 6550-4:2014](https://standards.iteh.ai/catalog/standards/sist/2ef81892-7d93-4d41-a514-2302b34b4db5/iso-6550-4-2014)

<https://standards.iteh.ai/catalog/standards/sist/2ef81892-7d93-4d41-a514-2302b34b4db5/iso-6550-4-2014>



**COPYRIGHT PROTECTED DOCUMENT**

© ISO 2014

All rights reserved. Unless otherwise specified, no part of this publication may be reproduced or utilized otherwise in any form or by any means, electronic or mechanical, including photocopying, or posting on the internet or an intranet, without prior written permission. Permission can be requested from either ISO at the address below or ISO's member body in the country of the requester.

ISO copyright office  
Case postale 56 • CH-1211 Geneva 20  
Tel. + 41 22 749 01 11  
Fax + 41 22 749 09 47  
E-mail [copyright@iso.org](mailto:copyright@iso.org)  
Web [www.iso.org](http://www.iso.org)

Published in Switzerland

# Contents

	Page
<b>Foreword</b> .....	<b>iv</b>
<b>1 Scope</b> .....	<b>1</b>
<b>2 Normative references</b> .....	<b>1</b>
<b>3 Dimensions and tolerances</b> .....	<b>1</b>
3.1 General.....	1
3.2 Glow-plugs.....	1
3.3 Cylinder head housing.....	5
3.4 Threads.....	6
3.5 Dimension limits of threads M8 × 1.....	6
<b>4 Installation tightening torque</b> .....	<b>7</b>
<b>Annex A (informative) M8 × 1 glow-plugs with 10 mm hexagon and their cylinder head housing</b> .....	<b>8</b>
<b>Bibliography</b> .....	<b>10</b>

## iTeh STANDARD PREVIEW (standards.iteh.ai)

[ISO 6550-4:2014](https://standards.iteh.ai/catalog/standards/sist/2ef81892-7d93-4d41-a514-2302b34b4db5/iso-6550-4-2014)

<https://standards.iteh.ai/catalog/standards/sist/2ef81892-7d93-4d41-a514-2302b34b4db5/iso-6550-4-2014>

## Foreword

ISO (the International Organization for Standardization) is a worldwide federation of national standards bodies (ISO member bodies). The work of preparing International Standards is normally carried out through ISO technical committees. Each member body interested in a subject for which a technical committee has been established has the right to be represented on that committee. International organizations, governmental and non-governmental, in liaison with ISO, also take part in the work. ISO collaborates closely with the International Electrotechnical Commission (IEC) on all matters of electrotechnical standardization.

The procedures used to develop this document and those intended for its further maintenance are described in the ISO/IEC Directives, Part 1. In particular the different approval criteria needed for the different types of ISO documents should be noted. This document was drafted in accordance with the editorial rules of the ISO/IEC Directives, Part 2 (see [www.iso.org/directives](http://www.iso.org/directives)).

Attention is drawn to the possibility that some of the elements of this document may be the subject of patent rights. ISO shall not be held responsible for identifying any or all such patent rights. Details of any patent rights identified during the development of the document will be in the Introduction and/or on the ISO list of patent declarations received (see [www.iso.org/patents](http://www.iso.org/patents)).

Any trade name used in this document is information given for the convenience of users and does not constitute an endorsement.

For an explanation on the meaning of ISO specific terms and expressions related to conformity assessment, as well as information about ISO's adherence to the WTO principles in the Technical Barriers to Trade (TBT) see the following URL: Foreword - Supplementary information

The committee responsible for this document is ISO/TC 22, *Road vehicles*, Subcommittee SC 1, *Ignition equipment*.

This third edition cancels and replaces the second edition (ISO 6550-4:2009) of which it constitutes a minor revision.

ISO 6550 consists of the following parts, under the general title *Road vehicles — Sheath-type glow-plugs with conical seating and their cylinder head housing*:

- Part 1: *M14 × 1,25 glow-plugs*
- Part 2: *M12 × 1,25 glow-plugs*
- Part 3: *M10 glow-plugs*
- Part 4: *M8 × 1 glow-plugs*

# Road vehicles — Sheath-type glow-plugs with conical seating and their cylinder head housing —

## Part 4: M8 x 1 glow-plugs

### 1 Scope

This part of ISO 6550 specifies the main characteristics of M8 × 1 sheath-type glow-plugs with conical seating and their cylinder head housing, for use with diesel (compression-ignition) engines.

### 2 Normative references

The following documents, in whole or in part, are normatively referenced in this document and are indispensable for its application. For dated references, only the edition cited applies. For undated references, the latest edition of the referenced document (including any amendments) applies.

ISO 68-1, *ISO general purpose screw threads — Basic profile — Part 1: Metric screw threads*

ISO 261, *ISO general purpose metric screw threads — General plan*

ISO 965-1, *ISO general purpose metric screw threads — Tolerances — Part 1: Principles and basic data*

ISO 965-3, *ISO general purpose metric screw threads — Tolerances — Part 3: Deviations for constructional screw threads*

ISO 2768-2:1989, *General tolerances — Part 2: Geometrical tolerances for features without individual tolerance indications*

ISO 8092-4:1997, *Road vehicles — Connections for on-board electrical wiring harnesses — Part 4: Pins for single- and multi-pole connections — Dimensions and specific requirements*

### 3 Dimensions and tolerances

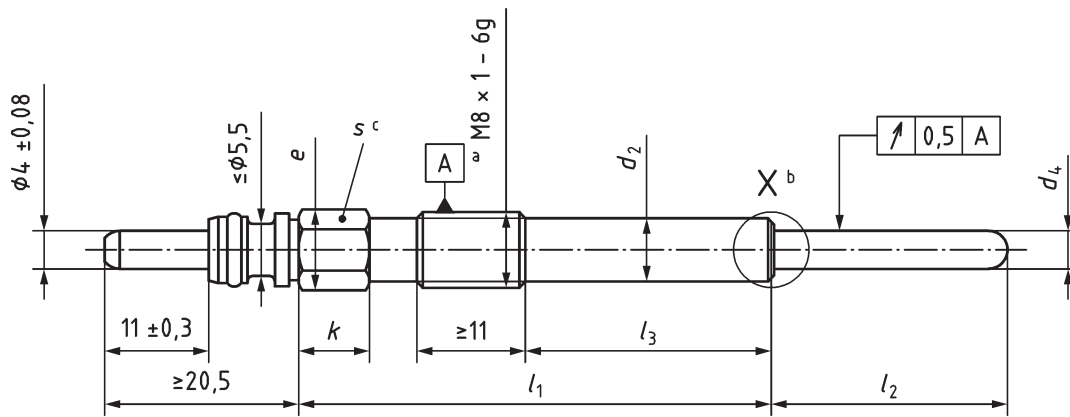
#### 3.1 General

Unless otherwise specified, the general geometric tolerances in accordance with ISO 2768-2:1989, tolerance class H, apply.

#### 3.2 Glow-plugs

Sheath-type glow-plug dimensions and tolerances shall be as shown in [Figures 1 to 6](#), and [Tables 1 and 2](#).

Dimensions in millimetres

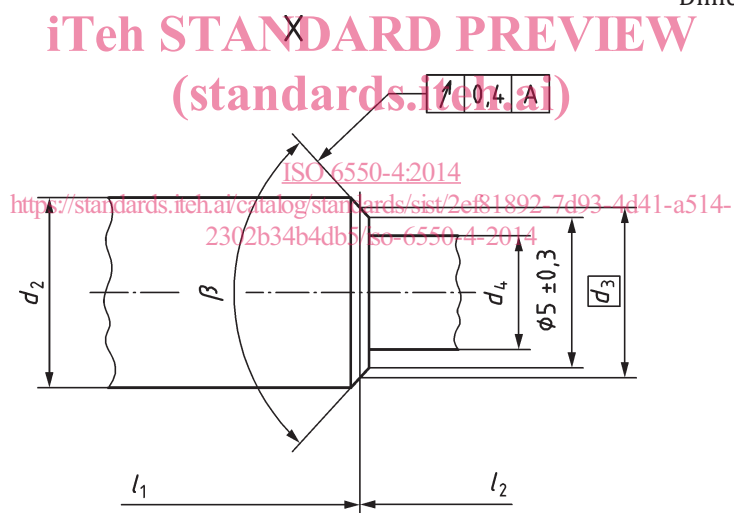


**Key**

- a Major diameter, in accordance with ISO 965-1 or 965-3.
- b See [Figure 2](#).
- c Hexagon.

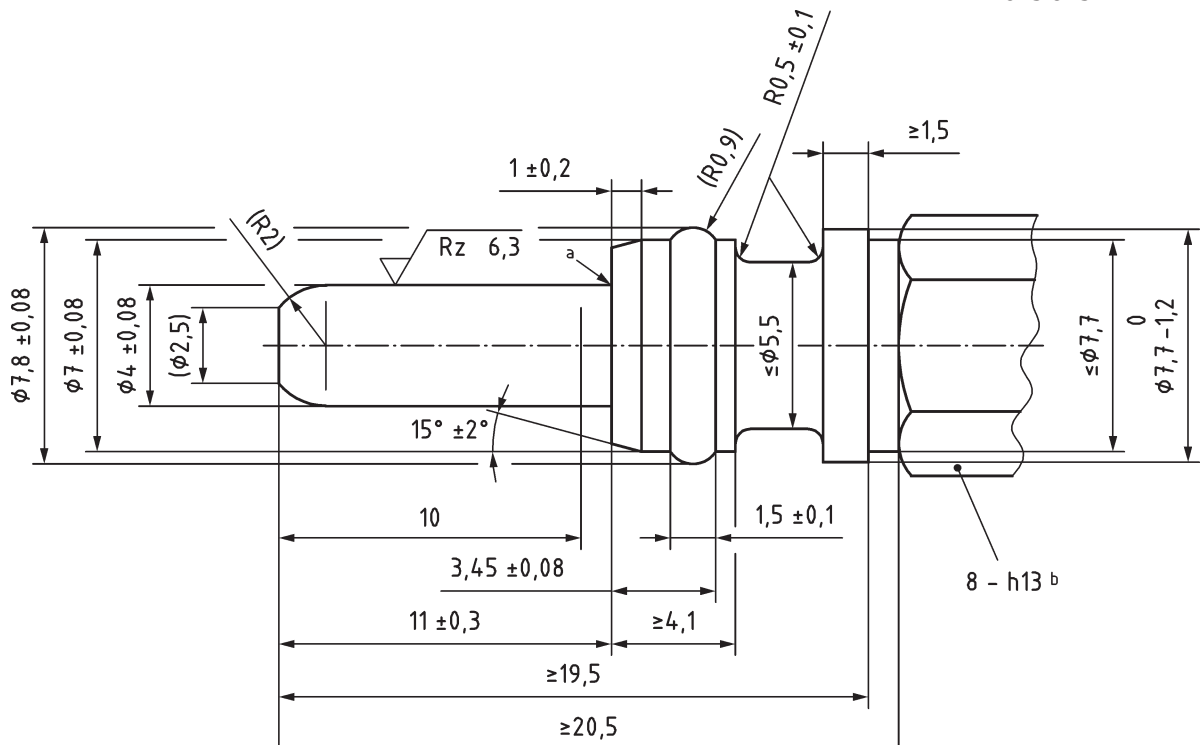
**Figure 1 — Glow-plug with pin terminal**

Dimensions in millimetres



**Figure 2 — Detail of X of [Figure 1](#)**

Dimensions in millimetres

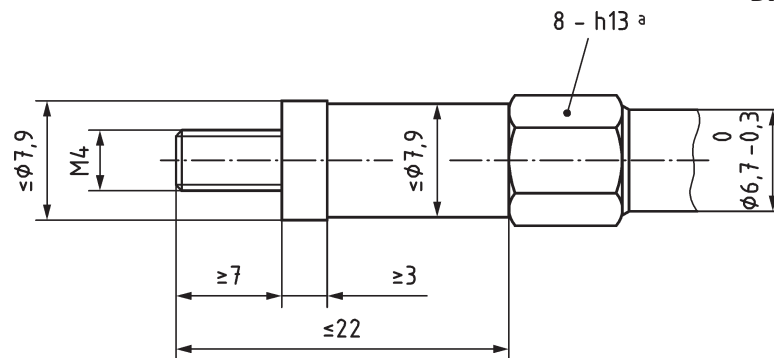


**Key**

- a Contour agreed between glow-plug and engine manufacturer.
- b Hexagon.

ISO 6550-4:2014  
<https://standards.iteh.ai/catalog/standards/sist/2ef81892-7d93-4d41-a514-202654b4d05/iso-6550-4-2014>  
**Figure 3 — Glow-plug pin terminal**

Dimensions in millimetres

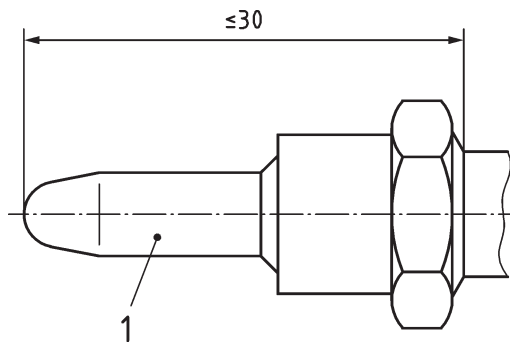


**Key**

- a Hexagon.

**Figure 4 — Glow-plug threaded terminal**

Dimensions in millimetres

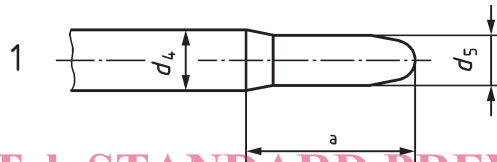


**Key**

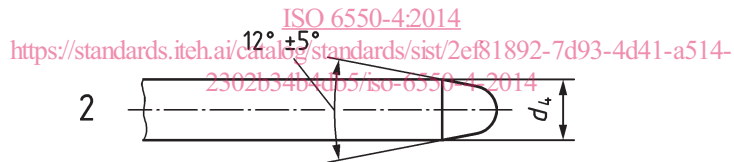
- 1 pin ISO 8092-4:1997 Table 1, pin size 4

**Figure 5 — Optional glow-plug pin terminal**

Dimensions in millimetres



**iTeh STANDARD PREVIEW**  
(standards.iteh.ai)



**Key**

- 1 glow-plug type A2, A4, A6, A8, B2, B4, B6 and B8
- 2 glow-plug type A1, A3, A5, A7, B1, B3, B5 and B7
- a Contour optional.

**Figure 6 — Reduced tip end and cone end**

**Table 1 — Glow-plug dimensions (dimension  $l_1$  and  $l_2$ )**

Dimensions in millimetres

$l_1^a \pm 0,5$	27	<b>42</b>	57	67	<b>72</b>	87	<b>102</b>
$l_2^a \pm 0,5$	20	<b>25</b>	28	<b>30</b>	35		
<sup>a</sup> Dimensions $l_1$ and $l_2$ to be combined as appropriate. Bold numbers are to be preferred.							



Table 2 — Glow-plug dimensions

Dimensions in millimetres

Type	Terminal	Hexagon			Body				Glow-plug tube								
		<i>s</i>	<i>e</i> min.	<i>k</i>	$\beta$ $\pm 2^\circ$	<i>d</i> <sub>2</sub>	<i>d</i> <sub>3</sub> ref.	<i>l</i> <sub>3</sub> min.	<i>d</i> <sub>4</sub> $\pm 0,2$	<i>d</i> <sub>5</sub> $\pm 0,1$	<i>a</i> min.						
A1	pin	8,0h13	8,6	7,5 <sup>1</sup> <sub>-0,3</sub>	93°	6,7 <sup>0</sup> <sub>-0,3</sub>	6,0	10	4,0	—	—						
A2									3,3	5							
A3									4,4	—	—						
A4										3,5	5						
A5	M4				8,0h13				8,6	7,5 <sup>1</sup> <sub>-0,3</sub>	93°	6,7 <sup>0</sup> <sub>-0,3</sub>	6,0	10	4,0	—	—
A6															3,3	5	
A7															4,4	—	—
A8																3,5	5
B1	pin	8,0h13	8,6	7,5 <sup>1</sup> <sub>-0,3</sub>		123°	6,7 <sup>0</sup> <sub>-0,3</sub>	6,0			10				4,0	—	—
B2															3,3	5	
B3															4,4	—	—
B4																3,5	5
B5	M4				8,0h13	8,6			7,5 <sup>1</sup> <sub>-0,3</sub>	123°		6,7 <sup>0</sup> <sub>-0,3</sub>	6,0	10	4,0	—	—
B6															3,3	5	
B7															4,4	—	—
B8																3,5	5

ISO 6550-4:2014

### 3.3 Cylinder head housing

<https://standards.iteh.ai/catalog/standards/sist/2ef81892-7d93-4d41-a514-2302b34b4db5/iso-6550-4-2014>

The dimensions and tolerances of the cylinder head housing for sheath-type glow-plugs shall be as given in [Figure 7](#) and [Table 3](#).