

TECHNICAL REPORT



Information technology – Generic cabling systems for customer premises –
Part 9903: Matrix modelling of channels and links
(standards.iteh.ai)

[ISO/IEC TR 11801-9903:2015](https://standards.iteh.ai/catalog/standards/sist/a630e1db-cf00-4e87-bda2-feac5f2f2203/iso-iec-tr-11801-9903-2015)

[https://standards.iteh.ai/catalog/standards/sist/a630e1db-cf00-4e87-bda2-
feac5f2f2203/iso-iec-tr-11801-9903-2015](https://standards.iteh.ai/catalog/standards/sist/a630e1db-cf00-4e87-bda2-feac5f2f2203/iso-iec-tr-11801-9903-2015)





THIS PUBLICATION IS COPYRIGHT PROTECTED
Copyright © 2015 ISO/IEC, Geneva, Switzerland

All rights reserved. Unless otherwise specified, no part of this publication may be reproduced or utilized in any form or by any means, electronic or mechanical, including photocopying and microfilm, without permission in writing from either IEC or IEC's member National Committee in the country of the requester. If you have any questions about ISO/IEC copyright or have an enquiry about obtaining additional rights to this publication, please contact the address below or your local IEC member National Committee for further information.

IEC Central Office
3, rue de Varembe
CH-1211 Geneva 20
Switzerland

Tel.: +41 22 919 02 11
Fax: +41 22 919 03 00
info@iec.ch
www.iec.ch

About the IEC

The International Electrotechnical Commission (IEC) is the leading global organization that prepares and publishes International Standards for all electrical, electronic and related technologies.

About IEC publications

The technical content of IEC publications is kept under constant review by the IEC. Please make sure that you have the latest edition, a corrigenda or an amendment might have been published.

IEC Catalogue - webstore.iec.ch/catalogue

The stand-alone application for consulting the entire bibliographical information on IEC International Standards, Technical Specifications, Technical Reports and other documents. Available for PC, Mac OS, Android Tablets and iPad.

IEC publications search - www.iec.ch/searchpub

The advanced search enables to find IEC publications by a variety of criteria (reference number, text, technical committee,...). It also gives information on projects, replaced and withdrawn publications.

IEC Just Published - webstore.iec.ch/justpublished

Stay up to date on all new IEC publications. Just Published details all new publications released. Available online and also once a month by email.

Electropedia - www.electropedia.org

The world's leading online dictionary of electronic and electrical terms containing more than 30 000 terms and definitions in English and French, with equivalent terms in 15 additional languages. Also known as the International Electrotechnical Vocabulary (IEV) online.

IEC Glossary - std.iec.ch/glossary

More than 60 000 electrotechnical terminology entries in English and French extracted from the Terms and Definitions clause of IEC publications issued since 2002. Some entries have been collected from earlier publications of IEC TC 37, 77, 86 and CISPR.

IEC Customer Service Centre - webstore.iec.ch/csc

If you wish to give us your feedback on this publication or need further assistance, please contact the Customer Service Centre: csc@iec.ch.

IEC'S STANDARD PREVIEW
(standards) (ch) (ch)
ISO/IEC TR 11801-9903:2015
https://standards.iteh.ai/catalog/standards/iec/11801-9903-2015
iec51212203/iso-iec-tr-11801-9903-2015

TECHNICAL REPORT



Information technology – Generic cabling systems for customer premises –
Part 9903: Matrix modelling of channels and links

<https://standards.iteh.ai/catalog/standards/sist/a630e1db-cf00-4e87-bda2-feac5f2f2203/iso-iec-tr-11801-9903-2015>

INTERNATIONAL
ELECTROTECHNICAL
COMMISSION

ICS 35.200

ISBN 978-2-8322-2923-1

Warning! Make sure that you obtained this publication from an authorized distributor.

CONTENTS

FOREWORD.....	4
INTRODUCTION.....	6
1 Scope.....	8
2 Normative references	8
3 Terms, definitions and abbreviations	8
3.1 Terms and definitions.....	8
3.2 Abbreviations	9
4 Matrix model.....	9
5 Matrix definition	10
5.1 Quadriports.....	10
5.2 Matrix port definition for a two pair system representative for modelling purposes.....	10
5.3 Operational scattering matrix	10
5.4 General naming convention.....	11
5.5 S-Matrix.....	11
5.6 Passivity	12
5.7 Operational reflexion loss matrix.....	12
5.8 Transmission matrix (T-matrix).....	13
5.9 S-matrix of cabling.....	13
6 Calculation with matrices using limit lines	13
7 Extracting limit lines	14
7.1 General.....	14
7.2 Equations to extract the cabling limit lines	14
7.2.1 Operational attenuation	14
7.2.2 Near end crosstalk.....	15
7.2.3 Attenuation to far end crosstalk ratio	15
7.2.4 Reflection	15
8 Component values to be used as input to the model	15
8.1 General.....	15
8.2 Cable.....	16
8.2.1 General	16
8.2.2 Wave attenuation.....	16
8.2.3 Near end crosstalk.....	16
8.2.4 Far end crosstalk.....	16
8.2.5 Reflection	16
8.3 Connections.....	17
8.3.1 General	17
8.3.2 As point source of disturbance.....	17
8.3.3 As a transmission line.....	18
Annex A (informative) S to T and T to S-matrix conversion formulas	19
A.1 Overview.....	19
A.2 Formulas.....	19
Annex B (informative) Calculation examples	20
B.1 Overview.....	20
B.2 Component assumptions for modelling purposes.....	20

B.2.1	Cables	20
B.2.2	Connections	21
B.3	Model results	21
B.3.1	General	21
B.3.2	Insertion loss	21
B.3.3	NEXT	22
B.3.4	ACR-F	22
B.3.5	Return loss	22
Annex C (informative)	Terms and definitions	23
C.1	Comparison of namings	23
C.2	General.....	24
C.3	Background of terms and definitions	24
C.3.1	Operational attenuation	24
C.3.2	Operational transfer function (T_B).....	26
C.3.3	Image or wave transfer function (T)	26
C.3.4	Insertion transfers function of a two-port (T_{BI})	26
C.3.5	Insertion transfer function (T_{BI}) measured with a NWA.....	26
C.3.6	Operational reflection loss transfer function ($T_{ref} = S_{ref}$) of a junction.....	26
Bibliography.....		28
Figure 1	– Link configurations of ISO/IEC 11801:2002	6
Figure 2	– Matrix definition of a 4 port 2 twisted pair system.....	10
Figure 3	– Operational scattering parameters example from port 2	11
Figure 4	– All 4 ports operational scattering parameter definition	11
Figure 5	– S -Matrix definition showing corresponding S parameters.....	11
Figure 6	– Equal S parameters for real components	12
Figure 7	– Final operational scattering matrix for real components.....	12
Figure 8	– Definition of the operational reflection loss matrix with unitarity included (see C.3.6).....	13
Figure 9	– Transmission matrix concatenation showing an example of a 2 connector permanent link.....	13
Figure 10	– Graphical example of a <i>NEXT-L</i> calculation showing statistical results (red) and final calculation (blue).....	14
Figure 11	– 100 m cable return loss without reflection at both ends	17
Figure 12	– 100 m cable return loss with a reflection of 0,03 at both ends (6 Ω mismatch, ~23 dB return loss at 1 MHz).....	17
Figure C.1	– Defining the operational attenuation and the operational transfer functions of a two-port	25
Figure C.2	– Defining the reflection transfer functions and the return loss of a junction.....	27
Table B.1	– Modelling assumptions for cable transmission parameters	20
Table B.2	– Modelling assumptions for connection transmission parameters.....	21
Table B.3	– Insertion loss	21
Table B.4	– NEXT	22
Table B.5	– ACR-F.....	22
Table B.6	– Return loss	22
Table C.1	– Comparison of naming in ISO/IEC 11081:2002 and this technical report	23

INFORMATION TECHNOLOGY – GENERIC CABLING SYSTEMS FOR CUSTOMER PREMISES –

Part 9903: Matrix modelling of channels and links

FOREWORD

- 1) ISO (the International Organization for Standardization) and IEC (the International Electrotechnical Commission) form the specialized system for worldwide standardization. National bodies that are members of ISO or IEC participate in the development of International Standards through technical committees established by the respective organization to deal with particular fields of technical activity. ISO and IEC technical committees collaborate in fields of mutual interest. Other international organizations, governmental and non-governmental, in liaison with ISO and IEC, also take part in the work. In the field of information technology, ISO and IEC have established a joint technical committee, ISO/IEC JTC 1.
- 2) The formal decisions or agreements of IEC and ISO on technical matters express, as nearly as possible, an international consensus of opinion on the relevant subjects since each technical committee has representation from all interested IEC National Committees and ISO member bodies.
- 3) IEC, ISO and ISO/IEC publications have the form of recommendations for international use and are accepted by IEC National Committees and ISO member bodies in that sense. While all reasonable efforts are made to ensure that the technical content of IEC, ISO and ISO/IEC publications is accurate, IEC or ISO cannot be held responsible for the way in which they are used or for any misinterpretation by any end user.
- 4) In order to promote international uniformity, IEC National Committees and ISO member bodies undertake to apply IEC, ISO and ISO/IEC publications transparently to the maximum extent possible in their national and regional publications. Any divergence between any ISO, IEC or ISO/IEC publication and the corresponding national or regional publication should be clearly indicated in the latter.
- 5) ISO and IEC do not provide any attestation of conformity. Independent certification bodies provide conformity assessment services and, in some areas, access to IEC marks of conformity. ISO or IEC are not responsible for any services carried out by independent certification bodies.
- 6) All users should ensure that they have the latest edition of this publication.
<https://standards.iec.int/catalog/standards/sis/a050e1db-c100-4e87-bda2-f052f203/iso-iec-tr-11801-9903-2015>
- 7) No liability shall attach to IEC or ISO or its directors, employees, servants or agents including individual experts and members of their technical committees and IEC National Committees or ISO member bodies for any personal injury, property damage or other damage of any nature whatsoever, whether direct or indirect, or for costs (including legal fees) and expenses arising out of the publication of, use of, or reliance upon, this ISO/IEC publication or any other IEC, ISO or ISO/IEC publications.
- 8) Attention is drawn to the normative references cited in this publication. Use of the referenced publications is indispensable for the correct application of this publication.
- 9) Attention is drawn to the possibility that some of the elements of this ISO/IEC publication may be the subject of patent rights. ISO and IEC shall not be held responsible for identifying any or all such patent rights.

The main task of IEC technical committees is to prepare International Standards. However, a technical committee may propose the publication of a technical report when it has collected data of a different kind from that which is normally published as an International Standard, for example "state of the art".

ISO/IEC TR 11801-9903, which is a technical report, has been prepared by subcommittee 25: Interconnection of information technology equipment, of ISO/IEC joint technical committee 1: Information technology.

The list of all currently available parts of the ISO/IEC 11801 series, under the general title *Information technology – Generic cabling for customer premises*, can be found on the IEC web site.

This Technical Report has been approved by vote of the member bodies, and the voting results may be obtained from the address given on the second title page.

This publication has been drafted in accordance with the ISO/IEC Directives, Part 2.

IMPORTANT – The 'colour inside' logo on the cover page of this publication indicates that it contains colours which are considered to be useful for the correct understanding of its contents. Users should therefore print this document using a colour printer.

iTeh STANDARD PREVIEW (standards.iteh.ai)

[ISO/IEC TR 11801-9903:2015](https://standards.iteh.ai/catalog/standards/sist/a630e1db-cf00-4e87-bda2-feac5f2f2203/iso-iec-tr-11801-9903-2015)

<https://standards.iteh.ai/catalog/standards/sist/a630e1db-cf00-4e87-bda2-feac5f2f2203/iso-iec-tr-11801-9903-2015>

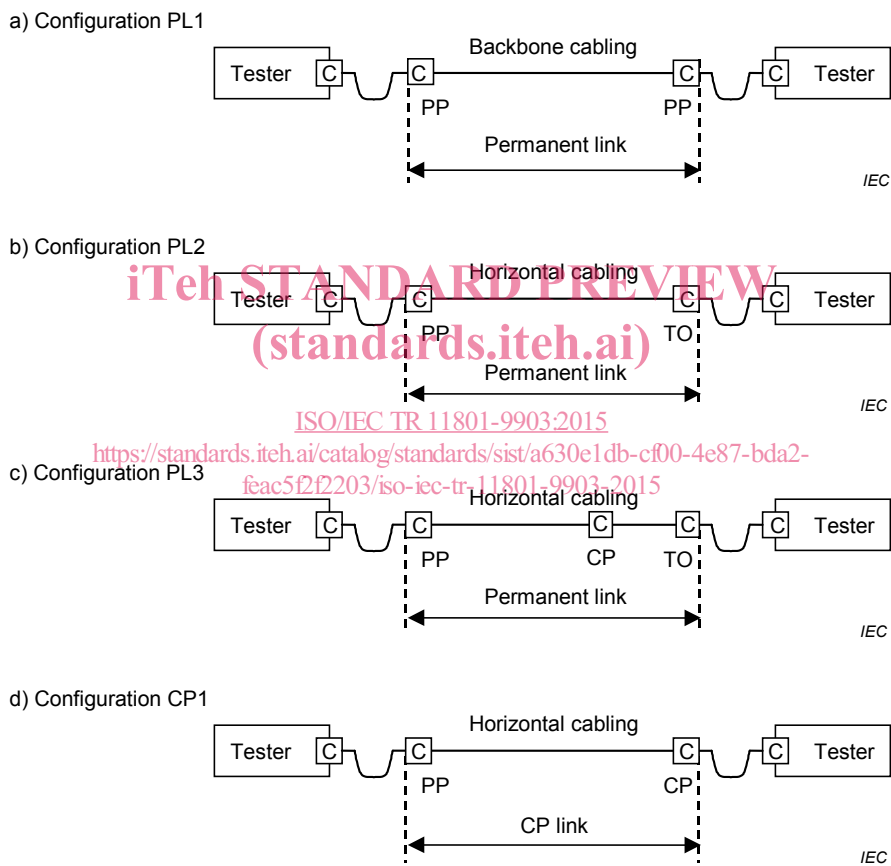
INTRODUCTION

The pass/fail limits for defined channel and permanent link cabling configurations have an implicit impact on the component limits for the cabling components used. The channel configurations are described in Clause 5, the link configurations in Clause 6 of ISO/IEC 11801:2002 with its amendments 1:2008 and 2:2010.

The permanent link configurations, which represent the fixed portion of the cabling, have two possible topologies:

A connection plus a segment of cable plus a connection (2 connector topology).

A connection plus a segment of cable plus a connection plus another segment of cable plus another connection (3 connector topology).



PP = patch panel; C = connection; CP = consolidation point;

TO = telecommunications outlet

Figure 1 – Link configurations of ISO/IEC 11801:2002

This Technical Report includes models and assumptions, which support pass/fail limits for the channel and permanent link test configurations in this standard. These are based on the performance requirements of cable and connecting hardware as specified in IEC standards.

This Technical Report provides reasonable assurance that a channel created by adding compliant patch cords to a previously certified permanent link will meet the applicable channel performance limits.

Over the years the frequencies of the classes increased, but the theory for calculating the limits stayed the same. Especially the higher order effects had to be considered and at the end only by doing a Monte Carlo calculation, assuming that not all components would be at the limit at the same time, allowed to prove compliance.

The model uses 2 pairs for all calculations. The limits are equal for pairs or pair combinations but in reality measured values could be different. If results are required that need more pairs to be considered, then this calculation can be done based on the results from multiple 2 pair calculations with appropriate inputs (worst case). An example of such a calculation is the power sum and average limit lines for 4 pairs.

Symmetry and additional contributions that result from unbalanced signals and differential-to-common and common-to-differential mode coupling are not included in this Technical Report but can be added easily in a next step by increasing the matrix size.

For details on the naming of transmission parameters, see definitions and Clause C.1.

iTeh STANDARD PREVIEW **(standards.iteh.ai)**

[ISO/IEC TR 11801-9903:2015](https://standards.iteh.ai/catalog/standards/sist/a630e1db-cf00-4e87-bda2-feac5f2f2203/iso-iec-tr-11801-9903-2015)

<https://standards.iteh.ai/catalog/standards/sist/a630e1db-cf00-4e87-bda2-feac5f2f2203/iso-iec-tr-11801-9903-2015>

INFORMATION TECHNOLOGY – GENERIC CABLING SYSTEMS FOR CUSTOMER PREMISES –

Part 9903: Matrix modelling of channels and links

1 Scope

This part of ISO/IEC 11801 establishes a matrix-model for formulating limits for differential mode parameters for return loss, insertion loss, and near and far end crosstalk, within and between two pairs of balanced cabling. This is for the purpose of supporting new, improved balanced cabling channel and link specifications, which are expected to be included in the next edition of ISO/IEC 11801¹.

2 Normative references

The following documents, in whole or in part, are normatively referenced in this document and are indispensable for its application. For dated references, only the edition cited applies. For undated references, the latest edition of the referenced document (including any amendments) applies.

ISO/IEC 11801:2002, *Information technology – Generic cabling for customer premises*
Amendment 1:2008
Amendment 2:2010²

3 Terms, definitions and abbreviations

<https://standards.iteh.ai/catalog/standards/sist/a630e1db-cf00-4e87-bda2-feac5f2f2203/iso-iec-tr-11801-9903-2015>

3.1 Terms and definitions

For the purposes of this document, the terms and definitions given in ISO/IEC 11801 and the following apply.

3.1.1

attenuation

general term to indicate diminishing of signal strength

Note 1 to entry: Details need to be added to indicate the exact usage.

3.1.2

connection

two mated connectors

EXAMPLE: Jack and plug.

3.1.3

image attenuation

wave attenuation

attenuation when a two-port is terminated by its input and output characteristic impedances with no reflections at input and output

Note 1 to entry: The wave attenuation of cables is length scalable.

¹ A new edition of ISO/IEC 11801 is under consideration and is planned as ISO/IEC 11801-1 (first edition).

² A consolidated version of this publication exists, comprising ISO/IEC 11801:2002, ISO/IEC 11801:2002/AMD 1:2008 and ISO/IEC 11801:2002/AMD 2:2010.

3.1.4

insertion loss

attenuation or loss caused by a two-port inserted into a system

3.1.5

insertion loss deviation

deviation of loss (attenuation) with regard to the wave attenuation due to mismatches (not only at the ends)

3.1.6

operational attenuation

ratio of the square root of the maximum available (complex) power wave from the generator and the square root of the (complex) power consumed (taken) by the load of the two-port

Note 1 to entry: The operational attenuation is not length scalable (see also C.3.1 and C.3.2).

Note 2 to entry: The operational attenuation is expressed in decibels (dB) and radians (rad).

3.1.7

passivity

property of a passive electrical system

Note 1 to entry: The output power at all ports that does not exceed the input power at all ports.

3.1.8

unitarity

mathematical concept for matrices to define passivity

iTeh STANDARD PREVIEW
(standards.iteh.ai)

3.1.9

operational reflection of a junction

loss due to the reflection at a junction

ISO/IEC TR 11801-9903:2015
<https://standards.iteh.ai/catalog/standards/sist/a630e1db-cf00-4e87-bda2-feac5f2f2203/iso-iec-tr-11801-9903-2015>

Note 1 to entry: See also C.3.6.

3.2 Abbreviations

For the purposes of this document, the abbreviations given in ISO/IEC 11801 and the following apply.

DRL	distributed return loss
NEXT-L	near end crosstalk loss
NEXT-T	near end crosstalk transfer function
FEXT-L	far end crosstalk loss
FEXT-T	far end crosstalk transfer function
ρ	Reflection transfer function
RI	Return loss
attenuation-L	attenuation loss
attenuation-T	attenuation transfer function

4 Matrix model

The model to be used is a concatenated matrix calculation as discussed in IEC TR 62152 for a 2 port system. For a 2 pair balanced cabling calculation a 4 port differential matrix as shown in Figure 1 shall to be used.

The model assumes that all components are specified with S-parameters and these parameters are used then to fill an S-matrix for every cabling component.

To concatenate components these S-matrices are transformed into transmission T-matrices which can then be multiplied in the appropriate order to simulate the transmission characteristics of the concatenated components (for details see IEC TR 62152:2009, Annex C).

To evaluate the transmission performance of the modelled channel or permanent link the calculated T-matrix of the cabling is transformed back into an S-matrix providing the expected transmission parameters of the cabling system.

The matrix calculation is done mathematically with S-parameters in amplitude and phase:

- a) Measured S parameters are usually known in amplitude and phase.
- b) Parameter limit lines for components and for cabling are specified in amplitude only, usually in decibel. For modelling purposes these amplitudes shall be transformed into a linear value. For the matrix calculation the phase is added as a random value to reflect power sum addition (see Clause 6).

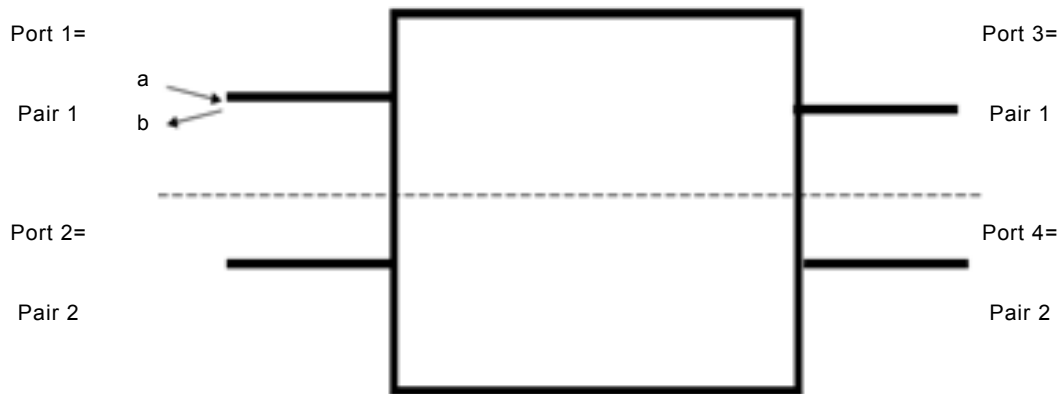
5 Matrix definition

5.1 Quadriports

In IEC TR 62152 [1] voltage and currents of the input and output waves are specified for two ports. In the following the cabling specific notation needed for quadriports (2 pairs) is detailed.

5.2 Matrix port definition for a two pair system representative for modelling purposes

In Figure 2 a 4 port matrix is presented. The definition is one line per port/twisted pair.



IEC

Key

- a designates a wave entering the quadriport
- b designates a wave leaving the quadriport

Figure 2 – Matrix definition of a 4 port 2 twisted pair system

5.3 Operational scattering matrix

Here, the S parameters for a source at port 2 are shown. For all definitions, see 5.4.