



SLOVENSKI STANDARD SIST EN 748:2013+A1:2018

01-marec-2018

Nadomešča:
SIST EN 748:2013

Oprema športnih igrišč - Nogometna vrata - Funkcionalne in varnostne zahteve ter preskusne metode

Playing field equipment - Football goals - Functional and safety requirements, test methods

Spielfeldgeräte - Fußballtore - Funktionelle und sicherheitstechnische Anforderungen, Prüfverfahren

Equipements de jeux - Buts de football - Exigences fonctionnelles et de sécurité, méthodes d'essai

<https://standards.iteh.ai/catalog/standards/sist/da4aeaff-8a37-4bcb-87b4-9c89ca5bcc4d/sist-en-748-2013a1-2018>

Ta slovenski standard je istoveten z: **EN 748:2013+A1:2018**

ICS:

97.220.30	Oprema za dvoranske športe	Indoor sports equipment
97.220.40	Oprema za športe na prostem in vodne športe	Outdoor and water sports equipment

SIST EN 748:2013+A1:2018

en,fr,de

iTeh STANDARD PREVIEW
(standards.iteh.ai)

[SIST EN 748:2013+A1:2018](#)

<https://standards.iteh.ai/catalog/standards/sist/da4aeaff-8a37-4bcb-87b4-9c89ca5bcc4d/sist-en-748-2013a1-2018>

EUROPEAN STANDARD

EN 748:2013+A1

NORME EUROPÉENNE

EUROPÄISCHE NORM

January 2018

ICS 97.220.30; 97.220.40

Supersedes EN 748:2013

English Version

Playing field equipment - Football goals - Functional and safety requirements, test methods

Equipements de jeux - Buts de football - Exigences fonctionnelles et de sécurité, méthodes d'essai

Spielfeldgeräte - Fußballtore - Funktionelle und sicherheitstechnische Anforderungen, Prüfverfahren

This European Standard was approved by CEN on 14 March 2013 and includes Amendment 1 approved by CEN on 10 June 2017.

CEN members are bound to comply with the CEN/CENELEC Internal Regulations which stipulate the conditions for giving this European Standard the status of a national standard without any alteration. Up-to-date lists and bibliographical references concerning such national standards may be obtained on application to the CEN-CENELEC Management Centre or to any CEN member.

This European Standard exists in three official versions (English, French, German). A version in any other language made by translation under the responsibility of a CEN member into its own language and notified to the CEN-CENELEC Management Centre has the same status as the official versions.

CEN members are the national standards bodies of Austria, Belgium, Bulgaria, Croatia, Cyprus, Czech Republic, Denmark, Estonia, Finland, Former Yugoslav Republic of Macedonia, France, Germany, Greece, Hungary, Iceland, Ireland, Italy, Latvia, Lithuania, Luxembourg, Malta, Netherlands, Norway, Poland, Portugal, Romania, Serbia, Slovakia, Slovenia, Spain, Sweden, Switzerland, Turkey and United Kingdom.

<https://standards.iteh.ai/catalog/standards/sist/da4aeaff-8a37-4bcb-87b4-9c89ca5bcc4d/sist-en-748-2013a1-2018>



EUROPEAN COMMITTEE FOR STANDARDIZATION
COMITÉ EUROPÉEN DE NORMALISATION
EUROPÄISCHES KOMITEE FÜR NORMUNG

CEN-CENELEC Management Centre: Rue de la Science 23, B-1040 Brussels

Contents	Page
Foreword	3
1 Scope	4
2 Normative references	4
3 Requirements for sizes 7,32 m × 2,44 m and 5,00 m × 2,00 m	4
3.1 Classification	4
3.2 Dimensions	5
3.3 Material	8
3.4 Design	9
3.4.1 Goal frame	9
3.4.2 Nets	9
3.4.3 Ground sockets	10
4 Safety requirements	10
4.1 General requirements	10
4.2 Goal frame	10
4.3 Strength	10
4.4 Stability	11
4.5 Net fixings	11
4.6 Frame entrapment	11
5 Test methods	11
5.1 General	11
5.2 Determination of strength	11
5.3 Determination of stability	11
5.3.1 Testing of Types 1 to 3	11
5.3.2 Stability test Type 4	12
5.4 Strength test for net fixings	13
6 Assembly, installation and maintenance instruction	13
7 Warning label	13
8 Marking	14
Annex A (informative) Example of foundations	15
Annex B (informative) A-Deviation	16
Bibliography	17

iTech STANDARD PREVIEW
(standards.itech.ai)

Foreword

This document (EN 748:2013+A1:2018) has been prepared by Technical Committee CEN/TC 136 “Sports, playground and other recreational facilities and equipment”, the secretariat of which is held by DIN.

This European Standard shall be given the status of a national standard, either by publication of an identical text or by endorsement, at the latest by July 2018, and conflicting national standards shall be withdrawn at the latest by July 2018.

Attention is drawn to the possibility that some of the elements of this document may be the subject of patent rights. CEN [and/or CENELEC] shall not be held responsible for identifying any or all such patent rights.

This document includes Amendment 1 approved by CEN on 10 June 2017.

This document supersedes $\boxed{A_1}$ EN 748:2013 $\boxed{A_1}$.

The start and finish of text introduced or altered by amendment is indicated in the text by tags $\boxed{A_1}$ $\boxed{A_1}$.

In relation to EN 748:2004, the following main amendments have been made:

— Normative references have been updated.

— Figure 3 and Figure 4 have been updated.

$\boxed{A_1}$ — Scope is harmonized with the new standard EN 16579:2018. $\boxed{A_1}$

According to the CEN-CENELEC Internal Regulations, the national standards organisations of the following countries are bound to implement this European Standard: Austria, Belgium, Bulgaria, Croatia, Cyprus, Czech Republic, Denmark, Estonia, Finland, Former Yugoslav Republic of Macedonia, France, Germany, Greece, Hungary, Iceland, Ireland, Italy, Latvia, Lithuania, Luxembourg, Malta, Netherlands, Norway, Poland, Portugal, Romania, Serbia, Slovakia, Slovenia, Spain, Sweden, Switzerland, Turkey and the United Kingdom.

EN 748:2013+A1:2018 (E)

1 Scope

This document specifies the functional requirements for 4 types and 2 sizes (see Clause 3) and the safety requirements (see Clause 4) for football goals.

It is applicable to football goals for training and competition in outdoor sports facilities and indoor arenas.

A1 The following football goals are excluded:

- a) EN 16579: goals with a size of 5,00 m × 2,00 m and 7,32 m × 2,44 m and with a total weight of ≥ 10 kg and ≤ 42 kg (total weight includes net, net fixing and any permanently attached anchoring or stabilizing system);
- b) EN 16664: (lightweight goals). **A1**

2 Normative references

The following documents, in whole or in part, are normatively referenced in this document and are indispensable for its application. For dated references, only the edition cited applies. For undated references, the latest edition of the referenced document (including any amendments) applies.

A1 EN 16579:2018, *Playing field equipment — Portable and permanent socketed goals — Functional and safety requirements and test methods*

EN 16664, *Playing field equipment — Lightweight goals — Functional, safety requirements and test methods* **A1**

EN ISO 1806, *Fishing nets — Determination of mesh breaking force of netting (ISO 1806)*

EN ISO 2307, *Fibre ropes — Determination of certain physical and mechanical properties (ISO 2307)*

3 Requirements for sizes 7,32 m × 2,44 m and 5,00 m × 2,00 m

3.1 Classification

Football goals shall be classified by the design (types and sizes) as shown in Table 1.

Table 1 — Types

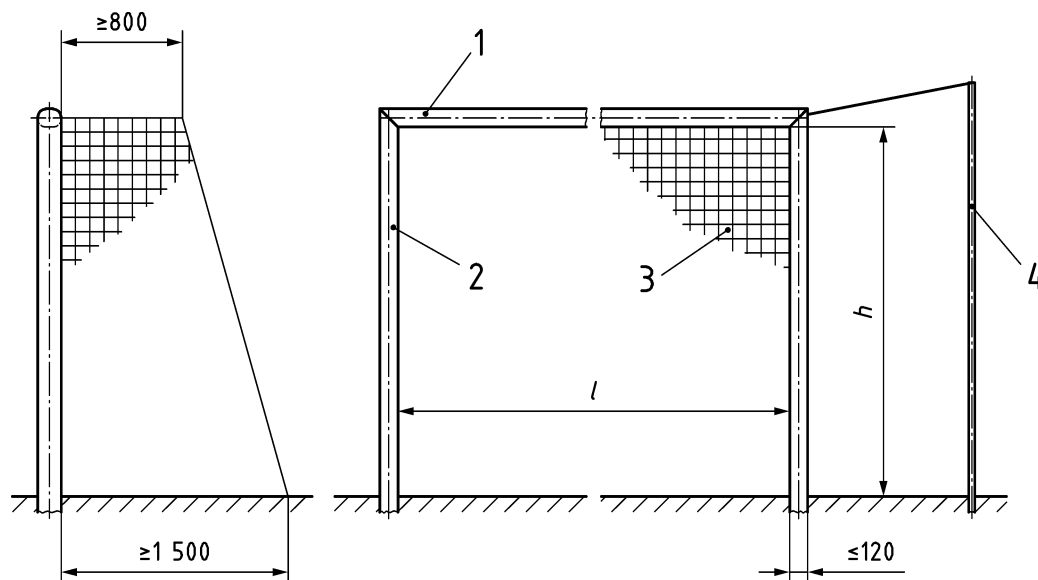
Dimensions in metres

Type	Size <i>l x h</i>	Description
1	7,32 × 2,44 5,00 × 2,00	Football goal with sockets, net supporting pole with sockets
2	7,32 × 2,44 5,00 × 2,00	Football goal with net supports and ground sockets
3	7,32 × 2,44 5,00 × 2,00	Freestanding football goal with ground fixings
4	7,32 × 2,44 5,00 × 2,00	Freestanding football goal with counterweight

3.2 Dimensions

Football goals shall comply with the dimensions shown in Table 2 and Figures 1 to 4.

Dimensions in millimetres



iTeh STANDARD PREVIEW
(standards.iteh.ai)

SIST EN 748:2013+A1:2018
<https://standards.iteh.ai/catalog/standards/sist/d449ca1f-8117-4102-b8764-9c89ca5bc4d/sist-en-748-2013a1-2018>



Key

- 1 crossbar
- 2 upright
- 3 net
- 4 net supporting pole for net head line (example)
- 5 net head line

NOTE Referring to key 4 "pole for net head line" requirements to the poles and its position depend on national regulation of free space for safety and to football federation.

Figure 1 — Football goal — Type 1

Table 2 — Dimensions

Dimensions in millimetres

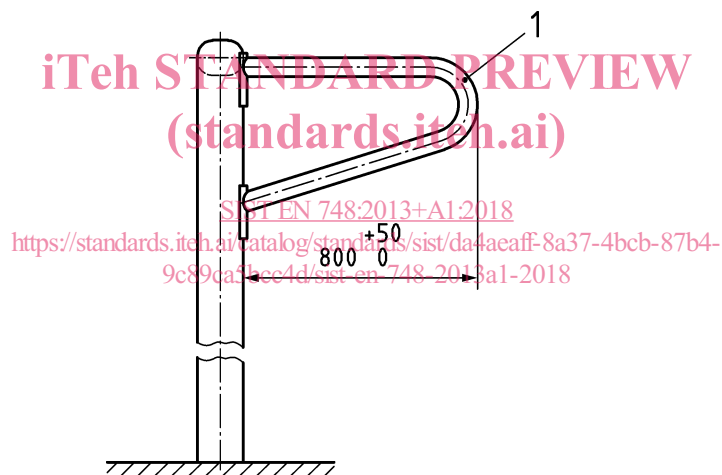
Size code	l	h
732 × 244	7 320 ± 8	2 440 ± 8
500 × 200	5 000 ± 8	2 000 ± 8

For an example for foundation see Annex A.

One football goal Type 1 consists of:

- the goal frame (2 uprights and 1 crossbar) including net fixings;
- the ground sockets;
- the net with net head line including means of contact with the ground;
- the poles with ground sockets.

Dimensions in millimetres

**Key**

1 net supports

NOTE See 4.6.

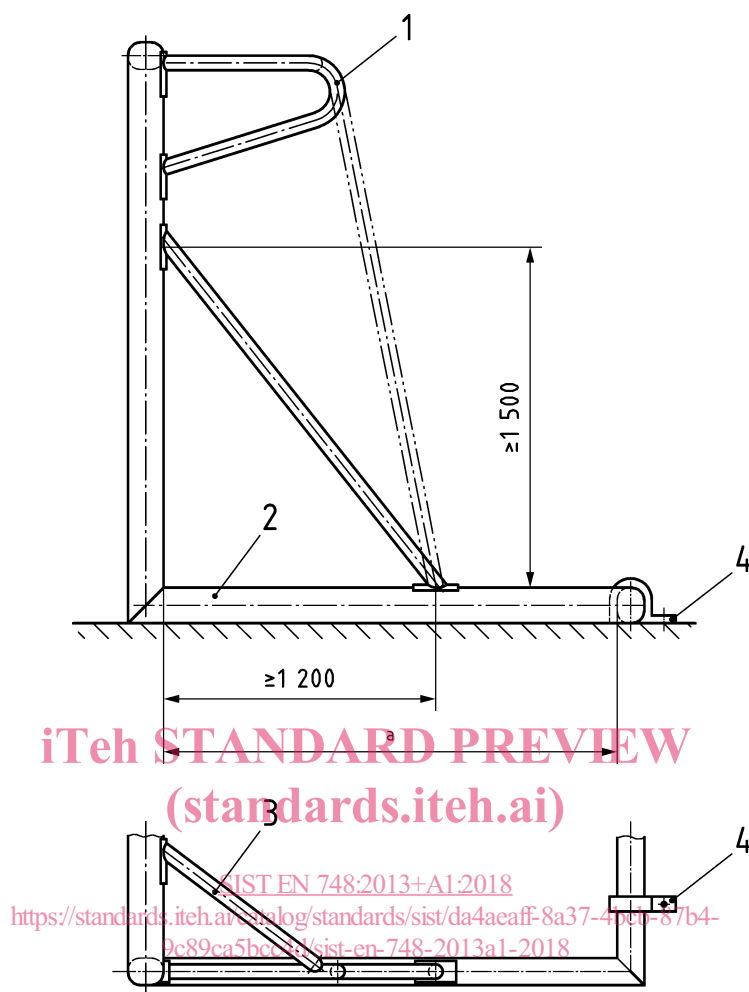
Figure 2 — Football goal — Type 2

Other dimensions and specifications as Type 1.

One football goal Type 2 consists of:

- the goal frame (2 uprights and 1 crossbar) including net fixings and net supports;
- the ground sockets;
- the net with net head line including means of contact with the ground.

Dimensions in millimetres

**Key**

- 1 net supports
- 2 ground frame
- 3 cross bracket
- 4 ground fixings
- a > 1 200 mm or other design solution

Figure 3 — Football goal — Type 3

Other dimensions and specifications as Type 1.

One football goal Type 3 consists of:

- the goal frame (2 uprights, 1 crossbar and the ground frame) including net fixings, net supports including cross bracket and ground fixings (at least one at each side);
- the net with net head line including means of contact with the ground.