



# SLOVENSKI STANDARD

## oSIST prEN 12790-2:2019

01-september-2019

---

**Izdelki za otroke - Sklopne zibelke - 2. del: Sklopne zibelke za otroke, ki še niso shodili**

Child use and care articles - Reclined cradles - Part 2: Reclined cradles for children up to when they start to walk

Artikel für Säuglinge und Kleinkinder - Kinderliegesitze - Teil 2: Kinderliegesitze für Kinder, bis sie zu laufen beginnen

Articles de puériculture - Transats - Partie 2: Transats pour enfants jusqu'à ce qu'ils commencent à marcher

<https://standards.iteh.ai/catalog/standards/sist/ddc18267-f776-49f2-840a-d408605166de/osist-pr-en-12790-2:2019>

**Ta slovenski standard je istoveten z: prEN 12790-2**

---

**ICS:**

97.190

Otroška oprema

Equipment for children

**oSIST prEN 12790-2:2019**

**en,fr,de**

**iTeh STANDARD PREVIEW**  
**(standards.iteh.ai)**

[oSIST prEN 12790-2:2019](https://standards.iteh.ai/catalog/standards/sist/ddc18267-f776-49f2-840a-d408605166de/osist-pren-12790-2-2019)

<https://standards.iteh.ai/catalog/standards/sist/ddc18267-f776-49f2-840a-d408605166de/osist-pren-12790-2-2019>

EUROPEAN STANDARD  
NORME EUROPÉENNE  
EUROPÄISCHE NORM

**DRAFT**  
**prEN 12790-2**

August 2019

ICS 97.190

Will supersede EN 12790:2009

English Version

## Child use and care articles - Reclined cradles - Part 2: Reclined cradles for children up to when they start to walk

Articles de puériculture - Transats - Partie 2: Transats  
pour enfants jusqu'à ce qu'ils commencent à marcher

Artikel für Säuglinge und Kleinkinder - Kinderliegesitze  
- Teil 2: Kinderliegesitze für Kinder, bis sie zu laufen  
beginnen

This draft European Standard is submitted to CEN members for second enquiry. It has been drawn up by the Technical Committee CEN/TC 252.

If this draft becomes a European Standard, CEN members are bound to comply with the CEN/CENELEC Internal Regulations which stipulate the conditions for giving this European Standard the status of a national standard without any alteration.

This draft European Standard was established by CEN in three official versions (English, French, German). A version in any other language made by translation under the responsibility of a CEN member into its own language and notified to the CEN-CENELEC Management Centre has the same status as the official versions.

CEN members are the national standards bodies of Austria, Belgium, Bulgaria, Croatia, Cyprus, Czech Republic, Denmark, Estonia, Finland, Former Yugoslav Republic of Macedonia, France, Germany, Greece, Hungary, Iceland, Ireland, Italy, Latvia, Lithuania, Luxembourg, Malta, Netherlands, Norway, Poland, Portugal, Romania, Serbia, Slovakia, Slovenia, Spain, Sweden, Switzerland, Turkey and United Kingdom.

Recipients of this draft are invited to submit, with their comments, notification of any relevant patent rights of which they are aware and to provide supporting documentation.

**Warning** : This document is not a European Standard. It is distributed for review and comments. It is subject to change without notice and shall not be referred to as a European Standard.



EUROPEAN COMMITTEE FOR STANDARDIZATION  
COMITÉ EUROPÉEN DE NORMALISATION  
EUROPÄISCHES KOMITEE FÜR NORMUNG

**CEN-CENELEC Management Centre: Rue de la Science 23, B-1040 Brussels**

<b>Contents</b>	<b>Page</b>
European foreword.....	3
<b>1 Scope</b> .....	<b>4</b>
<b>2 Normative references</b> .....	<b>4</b>
<b>3 Terms and definitions</b> .....	<b>4</b>
<b>4 Test equipment</b> .....	<b>4</b>
<b>4.1 Test mass A2</b> .....	<b>5</b>
<b>4.2 Stability test fixture</b> .....	<b>5</b>
<b>5 Mechanical hazards</b> .....	<b>6</b>
<b>5.1 Forward stability</b> .....	<b>6</b>
<b>5.1.1 Requirement</b> .....	<b>6</b>
<b>5.1.2 Test method</b> .....	<b>6</b>
<b>5.2 Static strength</b> .....	<b>8</b>
<b>5.3 Reclining system</b> .....	<b>8</b>
<b>5.4 Hazards from possible slippage of the reclined cradle</b> .....	<b>8</b>
<b>6 Product information</b> .....	<b>8</b>
<b>6.1 General</b> .....	<b>8</b>
<b>6.2 Marking of the product</b> .....	<b>8</b>
<b>6.3 Purchase information</b> .....	<b>8</b>
<b>6.4 Instructions for use</b> .....	<b>9</b>
<b>Annex A (informative) Rationales</b> .....	<b>10</b>
<b>A.1 Introduction</b> .....	<b>10</b>
<b>A.2 Mechanical hazards (see Clause 5)</b> .....	<b>10</b>
<b>A.2.1 Forward stability (see 5.1)</b> .....	<b>10</b>
<b>A.2.2 Static strength (see 5.2)</b> .....	<b>10</b>
<b>A.2.3 Reclining system (see 5.3)</b> .....	<b>10</b>
<b>A.2.4 Hazards from possible slippage of the reclined cradle (see 5.4)</b> .....	<b>10</b>
<b>Annex B (normative) Warnings</b> .....	<b>11</b>
<b>Bibliography</b> .....	<b>12</b>

## European foreword

This document (prEN 12790-2:2019) has been prepared by Technical Committee CEN/TC 252 “Child care articles”, the secretariat of which is held by AFNOR.

This document is currently submitted to the 2<sup>nd</sup> CEN Enquiry.

This document will supersede EN 12790:2009.

EN 12790 has been divided into the following two different parts to widen the scope of the standard:

- EN 12790-1, that covers reclined cradles intended for children up to when they start to try to sit up (same as EN 12790:2009)
- EN 12790-2, that covers reclined cradles intended for children up to when they start to stand up and walk and sit by themselves, not covered in EN 12790:2009.

## iTeh STANDARD PREVIEW (standards.iteh.ai)

[oSIST prEN 12790-2:2019](https://standards.iteh.ai/catalog/standards/sist/ddc18267-f776-49f2-840a-d408605166de/osist-pren-12790-2-2019)

<https://standards.iteh.ai/catalog/standards/sist/ddc18267-f776-49f2-840a-d408605166de/osist-pren-12790-2-2019>

**prEN 12790-2:2019 (E)****1 Scope**

This document specifies safety requirements and the corresponding test methods for fixed or folding reclined cradles intended for children up to when they start to stand up and walk and sit by themselves.

This document applies also to car seats complying with UN R44 or UN R129 that can be used as reclined cradles according to manufacturer's instructions.

This document does not apply to reclined cradles when used as swings.

If a reclined cradle has several functions or can be converted into another function the relevant European standards apply to it (see Annex B).

This document applies in conjunction with and in addition to prEN 12790-1:2019 and it cannot be used separately.

**2 Normative references**

The following documents are referred to in the text in such a way that some or all of their content constitutes requirements of this document. For dated references, only the edition cited applies. For undated references, the latest edition of the referenced document (including any amendments) applies.

EN 12790-1:-<sup>1</sup>, *Child care articles - Reclined cradles - Part 1: Reclined cradles for children up to when they try to sit up*

**3 Terms and definitions**

For the purposes of this document, the terms and definitions given in EN 12790-1:-<sup>1</sup> apply.

ISO and IEC maintain terminological databases for use in standardization at the following addresses:

- IEC Electropedia: available at <http://www.electropedia.org/>
- ISO Online browsing platform: available at <http://www.iso.org/obp>

**4 General requirements and test conditions****4.1 General requirement**

The recline cradle shall meet the requirements of EN 12790-1.

To meet the requirements of this standard the recline cradle shall be tested additionally, in accordance with the clauses listed below and in the order given in EN 12790-1 (see 4.2).

**4.2 Test conditions**

Tests shall be carried out in the order of the clauses given in EN 12790-1 and the additional tests of this standard shall be conducted together with the relevant clauses of EN 12790-1 on the same sample.

---

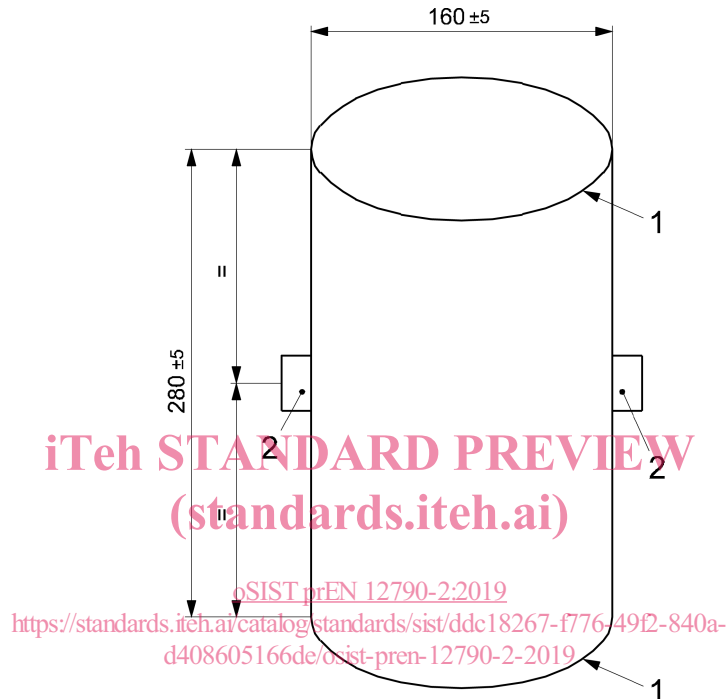
<sup>1</sup> Under preparation. Stage at the time of publication: prEN 12790-2:2019.

## 5 Test equipment

### 5.1 Test mass A2

Test mass A2 is a rigid cylinder ( $160 \pm 5$ ) mm in diameter and ( $280 \pm 5$ ) mm in height, having a mass of 12 kg and with its centre of gravity in the centre of the cylinder. All edges shall have a radius of ( $5 \pm 1$ ) mm. Two anchorage points shall be provided. These shall be positioned ( $140 \pm 2,5$ ) mm from the base and at  $180^\circ$  to each other around the circumference (key entry 1 in Figure 1).

Dimensions in millimetres



#### Key

- 1 radius: ( $5 \pm 1$ ) mm
- 2 two anchorage points

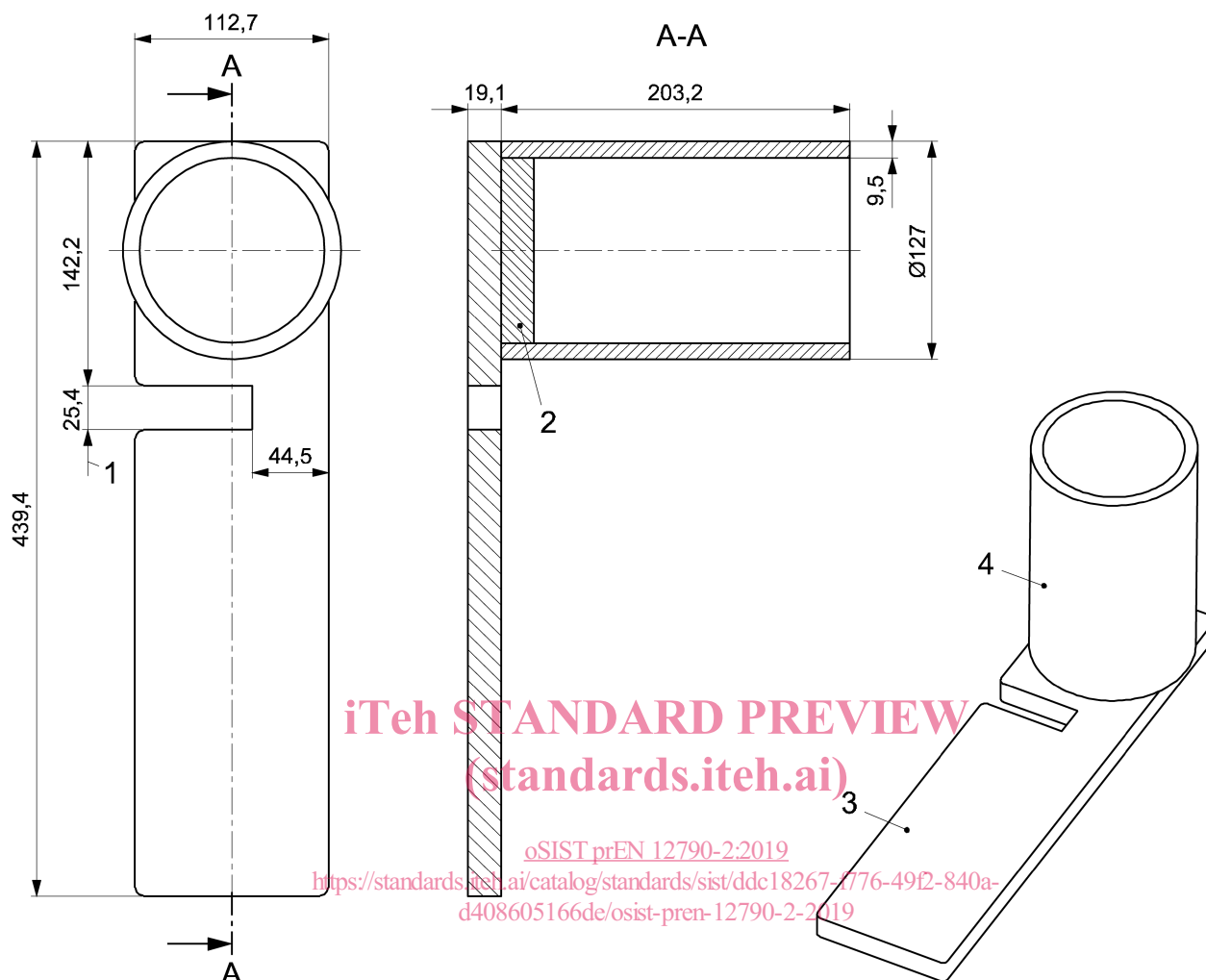
**Figure 1 — Test mass A2**

### 5.2 Stability test fixture

A fixture with a total weight of ( $8 \pm 0,2$ ) kg with dimensions specified in Figure 2.

All edges shall be rounded or chamfered.

Dimensions in millimetres

**Key**

- 1 reference value, adjust as needed to obtain total weight
- 2 solid wood
- 3 19 mm thick solid wood mounting plate
- 4 plastic cylinder

**Figure 2 — Test fixture for forward stability****6 Mechanical hazards****6.1 Forward stability****6.1.1 Requirement**

The reclined cradle shall not tip over when tested in accordance with 6.1.2.

**6.1.2 Test method**

Adjust the reclined cradle in the position that is most onerous for the forward stability.

Place the stability test fixture (see 4.2) in the seat unit with its back edge aligned with the junction line. Position the crotch restraint in the fixture slot for the crotch restraint, and secure the waist restraints to



the crotch restraint. If the product has shoulder straps as part of the restraint system, secure and tighten around the stability test fixture.

Tighten the restraint system in such a manner that you can comfortably slide your little finger between the strap and the stability test fixture cylinder, while maintaining alignment of the back edge of the stability test fixture and the junction line.

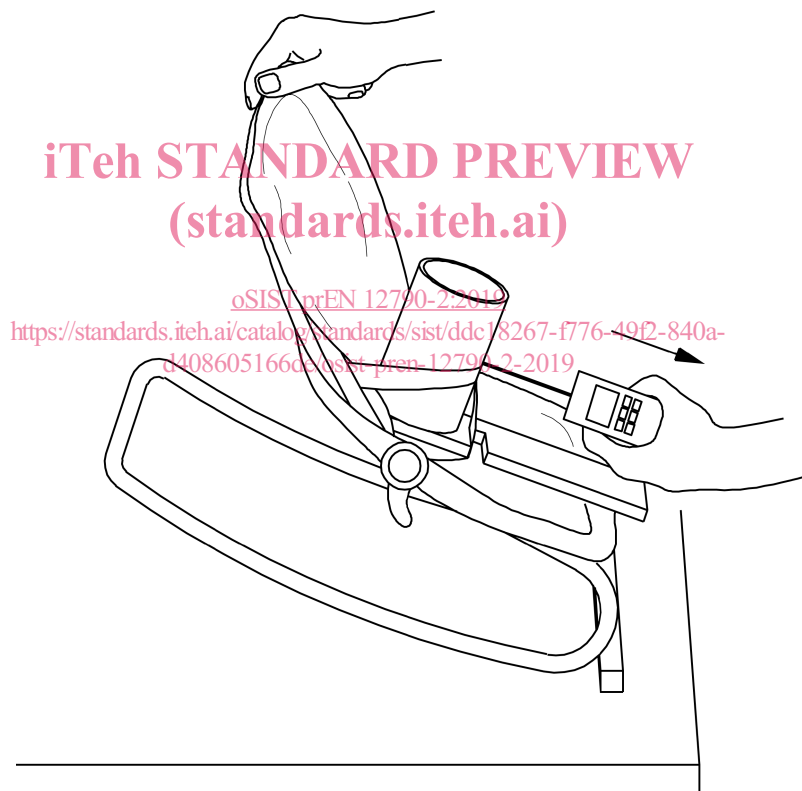
Position the product on the test surface for the stability test (see prEN 12790-1:2019, 4.8), inclined at an angle of 18°, facing down the slope; prevent slipping of the product by means of stops that do not prevent tipping over.

While holding the product to prevent it from tipping forward, gradually apply a pull force of 44 N parallel to the stability test fixture (see Figure 3) on the waist restraint near the centre of the stability test fixture to induce any potential forward displacement allowed by the seat unit or restraint system. Gradually apply the force within 5 s and maintain for an additional 10 s.

Remove the force.

Release the product.

Check if any tipping happens.



**Figure 3 — Forward Stability Test for Infant/Toddler Rockers**

**prEN 12790-2:2019 (E)****6.2 Static strength**

When tested in accordance with prEN 12790-1:2019, 8.11.1.2, replacing the mass of 20 kg with a mass of 27 kg, the reclined cradle shall not collapse and it shall still fulfil the function for which it is intended.

**6.3 Dynamic strength**

When tested in accordance with prEN 12790-1:2019, 8.11.2.2, replacing the mass of 15 kg with a mass of 20 kg, the reclined cradle shall not collapse and it shall still fulfil the function for which it is intended.

The requirements of this clause do not apply to car seats complying with UN R44 or UN R129.

**6.4 Reclining system**

Reclined cradles with adjustable backrest or seat angle shall be fitted with a stop at the maximum reclined position to avoid inadvertent contact between the reclining part and the ground or any rigid part of the frame during testing in accordance with prEN 12790-1:2019, 8.11.3.2.2, replacing the test mass A of prEN 12790-1:2019 with test mass A2 (see prEN 12790-1:2019, 4.1).

**6.5 Hazards from possible slippage of the reclined cradle**

When tested in accordance with prEN 12790-1:2019, 8.13.2, replacing the test mass A of prEN 12790-1:2019 with test mass A2 (see prEN 12790-1:2019, 4.1), the reclined cradle shall not move more than 20 mm down the inclined plane.

This requirement is not applicable to high chairs convertible into reclined cradles.

iteh STANDARD PREVIEW  
(standards.iteh.ai)

**7 Product information****7.1 General**

[oSIST prEN 12790-2:2019  
https://standards.iteh.ai/catalog/standards/sist/ddc18267-f776-49f2-840a-d408605166de/osist-pren-12790-2-2019](https://standards.iteh.ai/catalog/standards/sist/ddc18267-f776-49f2-840a-d408605166de/osist-pren-12790-2-2019)

Product information shall be provided to reduce the possible consequences of foreseeable hazards connected with the use of reclined cradles.

Product information shall be provided in the official language(s) of the country where the product is sold.

In the statements required in 7.2, 7.3 and 7.4, the word “product” can be substituted by an appropriate word describing the product or specific configuration.

The requirements of the following clauses are additional to those of prEN 12790-1:2019, Clause 9.

**7.2 Marking of the product**

The reclined cradle shall be visibly and permanently marked with at least the following statement:

- 1) Stop using the product when the child starts to stand up.

The statement may be expressed in different words providing they clearly convey the same message (e.g. in case of products convertible into other products/functions).

**7.3 Purchase information**

Purchase information shall be available at the point of sale and shall contain the following information:

- a) number and date of the standard.

This replaces the reference to prEN 12790-1:2019 (prEN 12790-1:2019, 9.3).