



**SLOVENSKI STANDARD**  
**oSIST prEN 12790-2:2018**

**01-julij-2018**

---

**[Not translated]**

Child care articles - Reclined cradles - Part 2: Reclined cradles for children up to when they start to walk

**iTeh STANDARD PREVIEW**  
**(standards.iteh.ai)**

**Ta slovenski standard je istoveten z: prEN 12790-2**

oSIST prEN 12790-2:2019  
<https://standards.iteh.ai/catalog/standards/sist/ddc18267-f776-49f2-840a-d408605166de/osist-pren-12790-2-2019>

---

**ICS:**

97.190

Otroška oprema

Equipment for children

**oSIST prEN 12790-2:2018**

**en,fr,de**

**iTeh STANDARD PREVIEW**  
**(standards.iteh.ai)**

[oSIST prEN 12790-2:2019](#)

<https://standards.iteh.ai/catalog/standards/sist/ddc18267-f776-49f2-840a-d408605166de/osist-pren-12790-2-2019>

EUROPEAN STANDARD  
NORME EUROPÉENNE  
EUROPÄISCHE NORM

**DRAFT**  
**prEN 12790-2**

June 2018

ICS 97.190

Will supersede EN 12790:2009

English Version

## Child use and care articles - Reclined cradles - Part 2: Reclined cradles for children up to when they start to walk

This draft European Standard is submitted to CEN members for enquiry. It has been drawn up by the Technical Committee CEN/TC 252.

If this draft becomes a European Standard, CEN members are bound to comply with the CEN/CENELEC Internal Regulations which stipulate the conditions for giving this European Standard the status of a national standard without any alteration.

This draft European Standard was established by CEN in three official versions (English, French, German). A version in any other language made by translation under the responsibility of a CEN member into its own language and notified to the CEN-CENELEC Management Centre has the same status as the official versions.

CEN members are the national standards bodies of Austria, Belgium, Bulgaria, Croatia, Cyprus, Czech Republic, Denmark, Estonia, Finland, Former Yugoslav Republic of Macedonia, France, Germany, Greece, Hungary, Iceland, Ireland, Italy, Latvia, Lithuania, Luxembourg, Malta, Netherlands, Norway, Poland, Portugal, Romania, Serbia, Slovakia, Slovenia, Spain, Sweden, Switzerland, Turkey and United Kingdom.

[oSIST prEN 12790-2:2019](https://standards.iteh.ai/catalog/standards/sist/ddc18267-f776-49f2-840a-d408605166de/osist-pr-en-12790-2-2019)

Recipients of this draft are invited to submit, with their comments, notification of any relevant patent rights of which they are aware and to provide supporting documentation.

**Warning** : This document is not a European Standard. It is distributed for review and comments. It is subject to change without notice and shall not be referred to as a European Standard.



EUROPEAN COMMITTEE FOR STANDARDIZATION  
COMITÉ EUROPÉEN DE NORMALISATION  
EUROPÄISCHES KOMITEE FÜR NORMUNG

**CEN-CENELEC Management Centre: Rue de la Science 23, B-1040 Brussels**

## Contents

|   | Page |
|---|------|
| European foreword.....  | 3    |
| 1 Scope .....   | 4    |
| 2 Normative references .....  | 4    |
| 3 Terms and definitions.....  | 4    |
| 4 Test equipment .....  | 4    |
| 4.1 Test mass A2.....   | 4    |
| 4.2 Stability test fixture .....  | 5    |
| 5 Mechanical hazards .....  | 6    |
| 5.1 Forward stability .....   | 6    |
| 5.1.1 Requirement .....   | 6    |
| 5.1.2 Test method.....  | 6    |
| 5.2 Static strength.....  | 7    |
| 5.3 Reclining system.....   | 7    |
| 5.4 Hazards from possible slippage of the reclined cradle.....              | 8    |
| 6 Product information.....  | 8    |
| 6.1 General .....   | 8    |
| 6.2 Marking of the product.....   | 8    |
| 6.3 Purchase information .....  | 8    |
| 6.4 Instructions for use.....   | 8    |
| Annex A (informative) Rationales.....                                       | 9    |
| A.1 Introduction .....  | 9    |
| A.2 Mechanical hazards (see Clause 5).....                                  | 9    |
| A.2.1 Forward stability (see 5.1).....                                      | 9    |
| A.2.2 Static strength (see 5.2).....  | 9    |
| A.2.3 Reclining system (see 5.3).....                                       | 9    |
| A.2.4 Hazards from possible slippage of the reclined cradle (see 5.4) ..... | 9    |
| Annex B (normative) Warnings .....  | 10   |
| Bibliography.....   | 11   |

## European foreword

This document (prEN 12790-2:2018) has been prepared by Technical Committee CEN/TC 252 “Child use and care articles”, the secretariat of which is held by AFNOR.

This document is currently submitted to the CEN Enquiry.

This document will supersede EN 12790:2009.

This document has been prepared under a mandate given to CEN by the European Commission and the European Free Trade Association.

## iTeh STANDARD PREVIEW (standards.iteh.ai)

[oSIST prEN 12790-2:2019](https://standards.iteh.ai/catalog/standards/sist/ddc18267-f776-49f2-840a-d408605166de/osist-pren-12790-2-2019)

<https://standards.iteh.ai/catalog/standards/sist/ddc18267-f776-49f2-840a-d408605166de/osist-pren-12790-2-2019>

**prEN 12790-2:2018 (E)****1 Scope**

This document specifies safety requirements and the corresponding test methods for fixed or folding reclined cradles intended for children up to when they start to stand up and walk and sit by themselves.

This document applies also to car seats complying with ECE R44 or ECE R129 that can be used as reclined cradles according to manufacturer's instructions.

This document does not apply to reclined cradles when used as swings.

If a reclined cradle has several functions or can be converted into another function the relevant European standards apply to it (see Annex B).

This document applies in conjunction with and in addition to prEN 12790-1:2018 and it cannot be used separately.

**2 Normative references**

The following documents are referred to in the text in such a way that some or all of their content constitutes requirements of this document. For dated references, only the edition cited applies. For undated references, the latest edition of the referenced document (including any amendments) applies.

prEN 12790-1:2018, *Child care articles - Reclined cradles - Part 1: Reclined cradles for children up to when they try to sit up*

**3 Terms and definitions**

**ITeh STANDARD PREVIEW**  
(standards.iteh.ai)

For the purposes of this document, the terms and definitions given in prEN 12790-1:2018 apply.

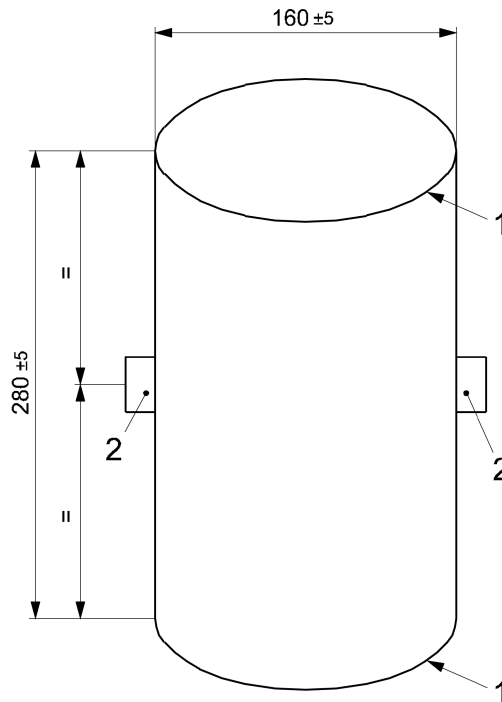
ISO and IEC maintain terminological databases for use in standardization at the following addresses:

- IEC Electropedia: available at <http://www.electropedia.org/>  
oSIST prEN 12790-2:2019  
18267-f776-49f2-840a-d408605166de/osist-pren-12790-2-2019
- ISO Online browsing platform: available at <http://www.iso.org/obp>

**4 Test equipment****4.1 Test mass A2**

Test mass A2 is a rigid cylinder ( $160 \pm 5$ ) mm in diameter and ( $280 \pm 5$ ) mm in height, having a mass of 12 kg and with its centre of gravity in the centre of the cylinder. All edges shall have a radius of ( $5 \pm 1$ ) mm. Two anchorage points shall be provided. These shall be positioned ( $140 \pm 2,5$ ) mm from the base and at  $180^\circ$  to each other around the circumference (see Figure 1).

Dimensions in millimetres

**Key**

- 1 radius:  $(5 \pm 1)$  mm
- 2 two anchorage points

**iTeh STANDARD PREVIEW**  
**(standards.iteh.ai)**

oSIST prEN 12790-2:2019  
**Figure 1 — Test mass A2**

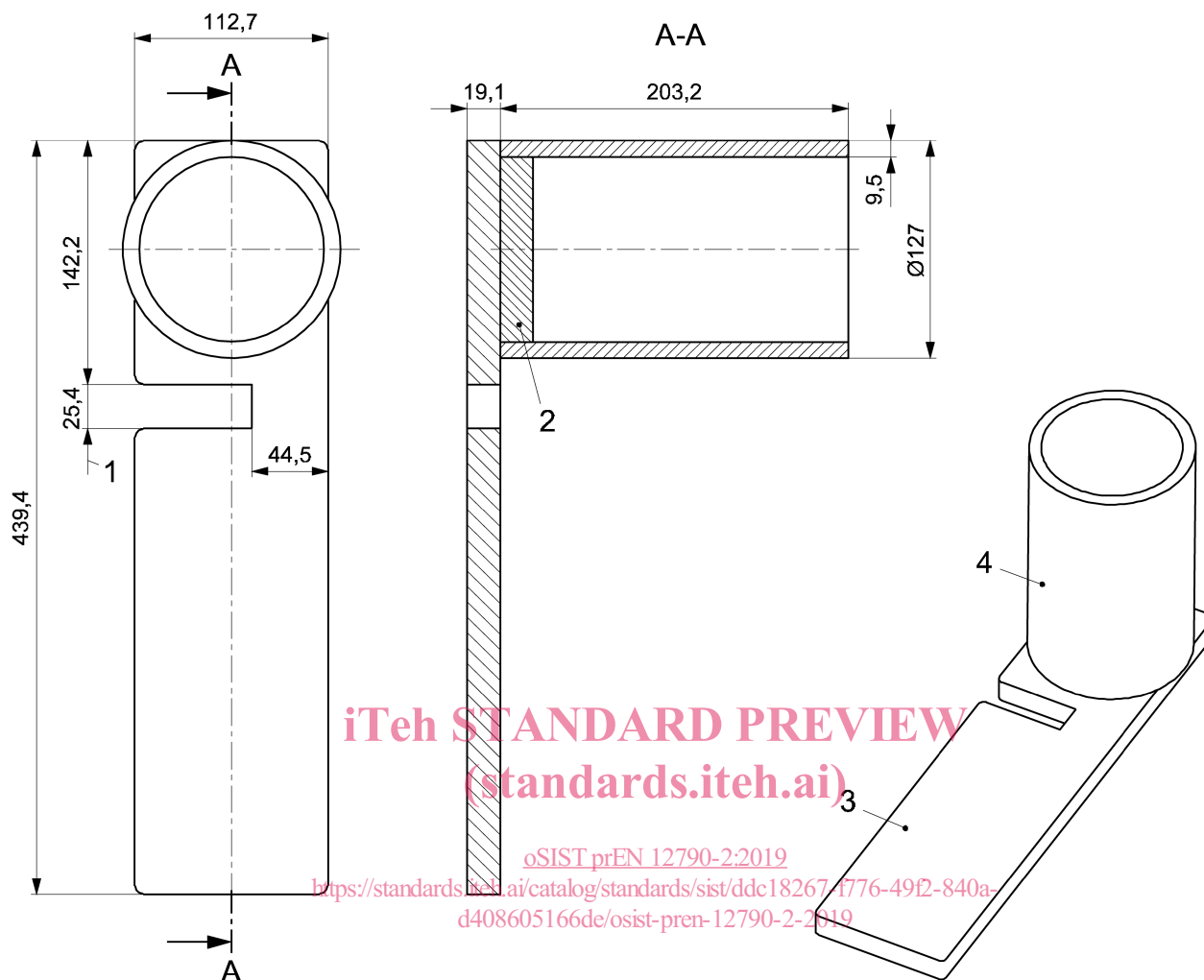
<https://standards.iteh.ai/catalog/standards/sist/ddc18267-f776-49f2-840a-d408605166de/osist-pren-12790-2-2019>

**4.2 Stability test fixture**

A fixture with a total weight of  $(8 \pm 0,2)$  kg with dimensions specified in Figure 2.

All edges shall be rounded or chamfered.

Dimensions in millimetres

**Key**

- 1 reference value, adjust as needed to obtain total weight
- 2 solid wood
- 3 19 mm thick solid wood mounting plate
- 4 plastic cylinder

**Figure 2 — Test fixture for forward stability****5 Mechanical hazards****5.1 Forward stability****5.1.1 Requirement**

The reclined cradle shall not tip over when tested in accordance with 5.1.2.

**5.1.2 Test method**

Adjust the reclined cradle in the position that is most onerous for the forward stability.

Place the stability test fixture (see 4.2) in the seat unit with its back edge aligned with the junction line. Position the crotch restraint in the fixture slot for the crotch restraint, and secure the waist restraints to the crotch restraint. If the product has shoulder straps as part of the restraint system, secure and tighten around the stability test fixture.



Tighten the restraint system in such a manner that you can comfortably slide your little finger between the strap and the stability test fixture cylinder, while maintaining alignment of the back edge of the stability test fixture and the junction line.

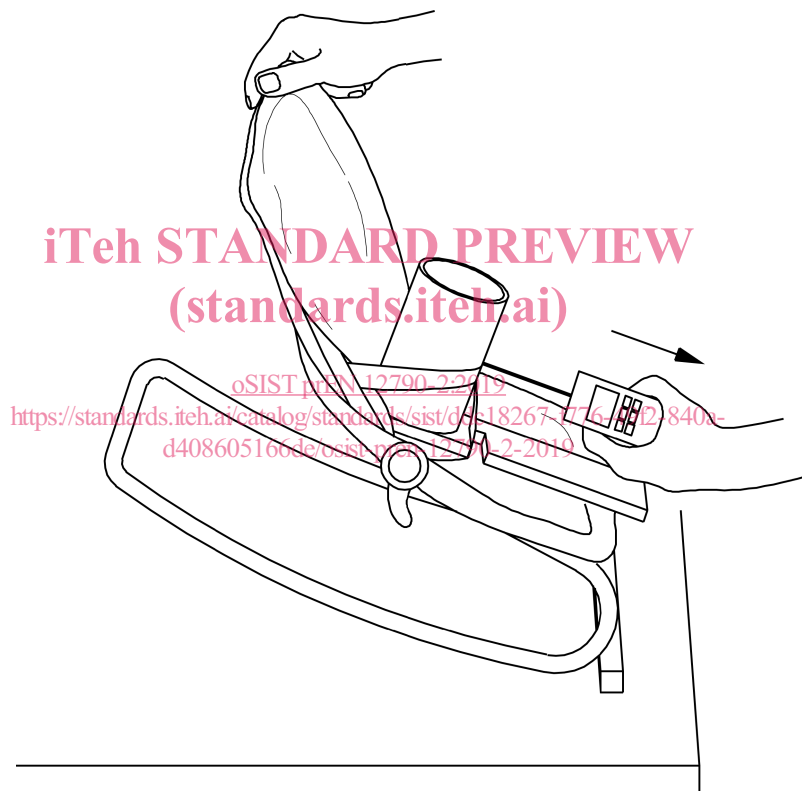
Position the product on the test surface for the stability test (see prEN 12790-1:2018, 4.8), inclined at an angle of 18°, facing down the slope; prevent slipping of the product by means of stops that do not prevent tipping over.

While holding the product to prevent it from tipping forward, gradually apply a pull force of 44 N parallel to the stability test fixture (see Figure 3) on the waist restraint near the centre of the stability test fixture to induce any potential forward displacement allowed by the seat unit or restraint system. Gradually apply the force within 5 s and maintain for an additional 10 s.

Remove the force.

Release the product.

Check if any tipping happens.



**Figure 3 — Forward Stability Test for Infant/Toddler Rockers**

## 5.2 Static strength

When tested in accordance with prEN 12790-1:2018, 8.11.1.2, replacing the mass of 20 kg with a mass of 25 kg, the reclined cradle shall not collapse and it shall still fulfil the function for which it is intended.

## 5.3 Reclining system

Reclined cradles with adjustable backrest or seat angle shall be fitted with a stop at the maximum reclined position to avoid inadvertent contact between the reclining part and the ground or any rigid part of the frame during testing in accordance with prEN 12790-1:2018, 8.11.2.2.2, replacing the test mass A of prEN 12790-1:2018 with test mass A2 (see 4.1).

**prEN 12790-2:2018 (E)****5.4 Hazards from possible slippage of the reclined cradle**

When tested in accordance with prEN 12790-1:2018, 6.15, replacing the test mass A of prEN 12790-1:2018 with test mass A2 (see 4.1), the reclined cradle shall not move more than 20 mm down the inclined plane.

This requirement is not applicable to high chairs convertible into reclined cradles.

**6 Product information****6.1 General**

Product information shall be provided to reduce the possible consequences of foreseeable hazards connected with the use of reclined cradles.

Product information shall be provided in the official language(s) of the country where the product is sold.

In the warnings required in 6.2, 6.3 and 6.4, the word “product” can be substituted by an appropriate word describing the product or specific configuration.

The requirements of the following clauses are additional to those of prEN 12790-1:2018, Clause 9.

**6.2 Marking of the product**

The reclined cradle shall be visibly and permanently marked with at least the following warnings:

[1] “Stop using the product when the child starts to stand up”

**6.3 Purchase information**

Purchase information shall be available at the point of sale and shall contain the following warning:

[1] WARNING

[2] “Stop using the product when the child starts to stand up”

Purchase information shall also contain the following information:

a) number and date of the standard

NOTE If the product is sold through the internet, the point of sale is the web page where the product is sold.

**6.4 Instructions for use**

The instructions shall include the following warning:

[1] “Stop using the product when the child starts to stand up”