

---

---

**Optics and photonics — Test methods  
for telescopic systems —**

**Part 6:  
Test methods for veiling glare index**

*Optique et photonique — Méthodes d'essai pour systèmes  
télescopiques —*

**iTeh STANDARD PREVIEW**  
*Partie 6: Méthodes d'essai de l'indice de lumière parasite*  
**(standards.iteh.ai)**

ISO 14490-6:2014

<https://standards.iteh.ai/catalog/standards/sist/9f9a9c09-5882-4b05-a574-5e78d845e226/iso-14490-6-2014>



**iTeh STANDARD PREVIEW**  
**(standards.iteh.ai)**

ISO 14490-6:2014

<https://standards.iteh.ai/catalog/standards/sist/9f9a9c09-5882-4b05-a574-5e78d845e226/iso-14490-6-2014>



**COPYRIGHT PROTECTED DOCUMENT**

© ISO 2014

All rights reserved. Unless otherwise specified, no part of this publication may be reproduced or utilized otherwise in any form or by any means, electronic or mechanical, including photocopying, or posting on the internet or an intranet, without prior written permission. Permission can be requested from either ISO at the address below or ISO's member body in the country of the requester.

ISO copyright office  
Case postale 56 • CH-1211 Geneva 20  
Tel. + 41 22 749 01 11  
Fax + 41 22 749 09 47  
E-mail [copyright@iso.org](mailto:copyright@iso.org)  
Web [www.iso.org](http://www.iso.org)

Published in Switzerland

# Contents

	Page
Foreword .....	iv
<b>1 Scope</b> .....	<b>1</b>
<b>2 Normative references</b> .....	<b>1</b>
<b>3 Terms and definitions</b> .....	<b>1</b>
<b>4 General considerations</b> .....	<b>1</b>
<b>5 Principle</b> .....	<b>2</b>
<b>6 Test arrangement</b> .....	<b>2</b>
6.1 General .....	2
6.2 Integrating sphere .....	3
6.3 Object-side collimator .....	3
6.4 Test specimen mounting .....	4
6.5 Limiting stop .....	4
6.6 Measurement and evaluation unit .....	4
<b>7 Procedure</b> .....	<b>4</b>
7.1 Adjustment of the measurement set-up .....	4
7.2 Determination of results .....	4
<b>8 Presentation of results</b> .....	<b>5</b>
<b>9 Repeatability</b> .....	<b>5</b>
<b>10 Test report</b> .....	<b>5</b>
<b>Annex A (informative) Method for determination of the luminance ratio of the black reference surface to the internal surface of the integrating sphere</b> .....	<b>6</b>
<b>Bibliography</b> .....	<b>8</b>

## Foreword

ISO (the International Organization for Standardization) is a worldwide federation of national standards bodies (ISO member bodies). The work of preparing International Standards is normally carried out through ISO technical committees. Each member body interested in a subject for which a technical committee has been established has the right to be represented on that committee. International organizations, governmental and non-governmental, in liaison with ISO, also take part in the work. ISO collaborates closely with the International Electrotechnical Commission (IEC) on all matters of electrotechnical standardization.

The procedures used to develop this document and those intended for its further maintenance are described in the ISO/IEC Directives, Part 1. In particular the different approval criteria needed for the different types of ISO documents should be noted. This document was drafted in accordance with the editorial rules of the ISO/IEC Directives, Part 2 (see [www.iso.org/directives](http://www.iso.org/directives)).

Attention is drawn to the possibility that some of the elements of this document may be the subject of patent rights. ISO shall not be held responsible for identifying any or all such patent rights. Details of any patent rights identified during the development of the document will be in the Introduction and/or on the ISO list of patent declarations received (see [www.iso.org/patents](http://www.iso.org/patents)).

Any trade name used in this document is information given for the convenience of users and does not constitute an endorsement.

For an explanation on the meaning of ISO specific terms and expressions related to conformity assessment, as well as information about ISO's adherence to the WTO principles in the Technical Barriers to Trade (TBT) see the following URL: [Foreword - Supplementary information](#)

The committee responsible for this document is ISO/TC 172, *Optics and photonics*, Subcommittee SC 4, *Telescopic systems*.

ISO 14490-6:2014

This second edition cancels and replaces the first edition (ISO 14490-6:2005), of which it constitutes a minor revision. ISO 14490 consists of the following parts, under the general title *Optics and photonics — Test methods for telescopic systems*:

- *Part 1: Test methods for basic characteristics*
- *Part 2: Test methods for binocular systems*
- *Part 3: Test methods for telescopic sights*
- *Part 4: Test methods for astronomical telescopes*
- *Part 5: Test methods for transmittance*
- *Part 6: Test methods for veiling glare index*
- *Part 7: Test methods for limit of resolution*
- *Part 8: Test methods for night-vision devices*

# Optics and photonics — Test methods for telescopic systems —

## Part 6: Test methods for veiling glare index

### 1 Scope

This part of ISO 14490 specifies the test methods for the determination of the veiling glare index of telescopic systems and observational telescopic instruments.

### 2 Normative references

The following documents, in whole or in part, are normatively referenced in this document and are indispensable for its application. For dated references, only the edition cited applies. For undated references, the latest edition of the referenced document (including any amendments) applies.

ISO 9358:1994, *Optics and optical instruments — Veiling glare of image forming systems — Definitions and methods of measurement*

ISO 14132-1, *Optics and photonics — Vocabulary for telescopic systems — Part 1: General terms and alphabetical indexes of terms in ISO 14132*

ISO 14490-1:2005, *Optics and photonics — Test methods for telescopic systems — Part 1: Test methods for basic characteristics*

### 3 Terms and definitions

For the purposes of this document, the terms and definitions given in ISO 14132-1 apply.

### 4 General considerations

The veiling glare test methods are generally described in ISO 9358:1994. ISO 9358:1994 deals with arbitrary optical instruments and contains two basic approaches to measuring the veiling glare, namely integral (or black patch) method and analytical (or glare spread function) method.

For terrestrial telescopes with which this part of ISO 14490 deals, the black patch method is more adequate while the glare spread function might prove to be better for astronomical telescopes. For the moment, consideration in this part of ISO 14490 is given only to the black patch method. If need of measuring the glare spread function arises, the reference shall be made directly to appropriate clauses of ISO 9358:1994.

From the classification given in ISO 9358:1994, Clause 3, the case where both the object and the image are at infinity will usually apply to telescopic systems. [Clauses 6](#) and [7](#) give detailed and more specific descriptions of the general test method given in ISO 9358:1994, 4.1 and of test conditions given in ISO 9358:1994, 5.1.

## 5 Principle

The determination of the veiling glare index,  $S$ , is based upon the measurement of the illuminance of the image of a black surface in diffuse scattered white light and the measurement of the illuminance of the image of the white background.

The veiling glare of an optical instrument is determined by the ratio of the illuminance,  $E_1$ , of the image of a black surface within a white illuminated wide surface to the illuminance,  $E_2$ , of an image of a totally white surface.

$$S = \frac{E_1}{E_2} \tag{1}$$

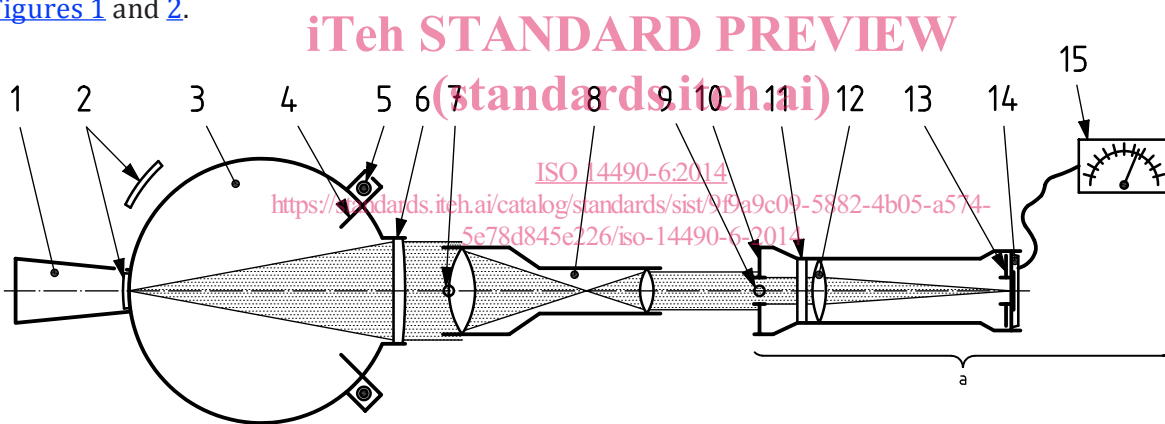
NOTE In both cases, the white surface ensures a homogenous distribution of the illumination across the whole entrance pupil of the test specimen.

## 6 Test arrangement

### 6.1 General

The measurement set-up consists of an integrating sphere, an object-side collimator, the test specimen mounting, the limiting stop, the image-side collimator, and the measurement and evaluation unit.

See [Figures 1](#) and [2](#).

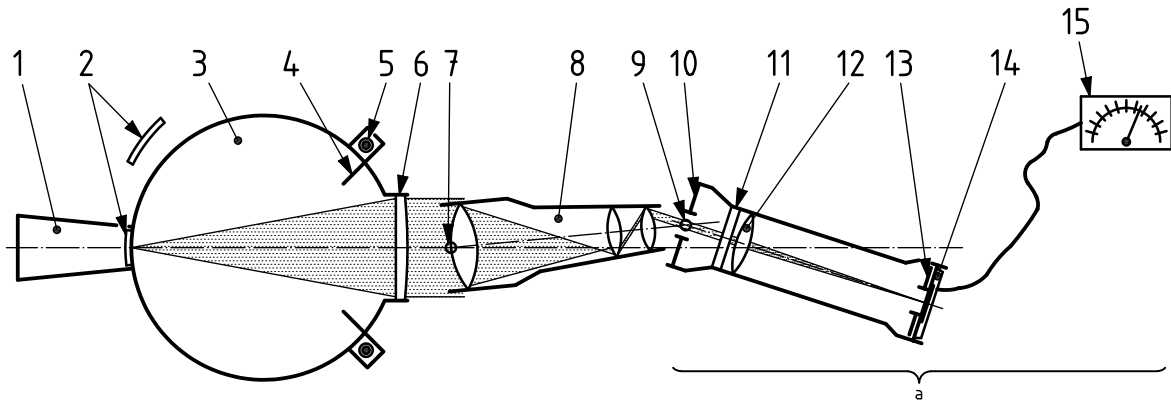


#### Key

1	black object simulator	6	object-side collimator lens	11	filter
2	selectable segments	7	slewing point I	12	image-side collimator lens
3	integrating sphere	8	test specimen	13	measuring stop
4	baffle	9	slewing point II	14	radiation detector
5	light source	10	limiting stop	15	indicator

<sup>a</sup> The measurement and evaluation unit consists of the limiting stop, filter, image-side collimator lens, measuring stop, radiation detector, and indicator.

**Figure 1 — Test arrangement for on-axis measurement (schematic)**

**Key**

1	black object simulator	6	object-side collimator lens	11	filter
2	selectable segments	7	slewing point I	12	image-side collimator lens
3	integrating sphere	8	test specimen	13	measuring stop
4	baffle	9	slewing point II	14	radiation detector
5	light source	10	limiting stop	15	indicator

<sup>a</sup> The measurement and evaluation unit consists of the limiting stop, filter, image-side collimator lens, measuring stop, radiation detector, and indicator.

**Figure 2 — Test arrangement for off-axis measurement (schematic)**

## 6.2 Integrating sphere

The integrating sphere should have a diameter 15 times the diameter of the entrance pupil of the test specimen, but at least 1 m.

It has two opposite openings. In the first opening, the collimating lens is inserted. In the second opening, removable circular elements adapted to the interior surface of the sphere are inserted to act as white and black reference surfaces.

The white reference surface is composed of a disk that entirely fills the second opening in the sphere. The black reference surface is composed of a disk with an aperture of the desired diameter (i.e. an annulus) that is fitted into the second opening in the sphere. It is followed by a light trap outside the sphere. The luminance of the light trap shall be less than 0,1 % of the luminance of the illuminated interior surface of the sphere.

NOTE See [Annex A](#) for background information about the black patch method.

The interior surface of the sphere and the annular and circular elements shall be white and opaque. The reflectance across the whole spectral range from 380 nm to 780 nm should be at least 85 %.

The light source shall emit a constant radiant flux. The radiant flux shall not change more than 1 % during the measurement of one pair of values. The light source shall correspond to a black body source with a colour temperature between 2 800 K and 3 200 K.

## 6.3 Object-side collimator

For the purpose of a collimator, an achromatic lens with a minimum  $f$ -number of 10 (i.e. maximum relative aperture 1:10) is appropriate, but the aperture shall exceed 1,2 times the diameter of the objective lens of the test specimen.

The focal length of the collimator and the interior diameter of the sphere shall be identical. All glass-air surfaces need an antireflection coating.

The object-side collimator is being fixed in the opening so that the collimator with its frame closes the interior of the sphere and the lens is located outside the sphere.

#### 6.4 Test specimen mounting

The test specimen mounting shall be constructed in a way that the combination of the test specimen and the measurement and evaluation unit can be adjusted and held stable and turned around the entrance pupil for off-axis measurements.

Additionally, the test specimen mounting shall be constructed in a way that the measurement and evaluation unit can be turned around the exit pupil for off-axis measurements.

#### 6.5 Limiting stop

In the plane of the test specimen's exit pupil, a limiting stop of 8 mm diameter shall be attached.

NOTE 1 This limiting stop prevents light which would not reach the observer's eye from entering the radiation detector.

NOTE 2 A limiting stop of 8 mm diameter is assumed to match the eye's maximum pupil diameter.

#### 6.6 Measurement and evaluation unit

The measurement and evaluation unit consists of the limiting stop, the filter, the image-side collimator, the radiation detector, and the indicator.

The image-side collimator (achromatic lens with antireflection coatings) images the white or black reference surface at the surface of the radiation detector.

It shall be positioned directly behind the test specimen's exit pupil. The clear aperture shall be at least 10 mm.

At the image surface in front of the radiation detector, a measuring stop with a diameter of 20 % to 50 % of the diameter of the image of the black surface is arranged.

The filter serves to convert the spectral sensitivity curve of the detector to the photopic response curve of the human eye for the radiation source used.

The size and aperture of the radiation detector shall be sufficient to collect all radiation which is transmitted by the measuring stop.

### 7 Procedure

#### 7.1 Adjustment of the measurement set-up

Thoroughly clean the optical surfaces of the collimators and of the test specimen.

The size of the black surface corresponds to a 1° object-side field of view; this is valid for test specimens with at least 2° field of view. If the test specimen has a smaller field of view, then the object-side angle of the black surface should correspond to about half the test specimen's field of view.

Attach the test specimen as closely as possible to the object-side collimator and centre it to the optical axis. This ensures that the light enters the test specimen with the maximum solid angle.

#### 7.2 Determination of results

First, measure the illuminance in the image of the white surface, then measure the illuminance in the image of the black surface.



For the determination of the veiling glare index of off-axis object points, slew the test specimen around the entrance pupil and slew the measurement and evaluation unit around the exit pupil.

For the measurement off-axis, object points of 0,5 and 0,7 of half the field of view shall be chosen.

Because the veiling glare index of non-rotationally-symmetric erecting systems (prisms) is not equal at corresponding azimuths, determine the maximum value.

## 8 Presentation of results

The veiling glare index,  $S$ , is expressed as a percentage.

The measurement results shall be presented in tabular and in graphical form, as follows.

- a) In the presentation in tabular form, the measurements, and the calculated values of the veiling glare index (see Note) shall be given; the values shall be expressed as a percentage to one decimal digit.
- b) In the graphical presentation, the values of the veiling glare index shall be plotted over the angles of the field of view.

NOTE The measurement of the veiling glare index depends on the measurement environment, which is determined in detail by the black surface, the diameter of the limiting stop at the test specimen's exit pupil, and the collimating lens.

## 9 Repeatability iTeh STANDARD PREVIEW

The relative error of the measurement repeatability of the veiling glare index shall not exceed 10 %.

## 10 Test report

ISO 14490-6:2014

<https://standards.iteh.ai/catalog/standards/sist/99a9c09-5882-4b05-a574->

A test report shall be presented and shall include the result of the test as specified in [Clause 8](#) and the general information specified in ISO 14490-1:2005, Clause 13.