
**Aerospace — Nuts, anchor, self-locking,
floating, two lug, with counterbore,
with MJ threads, classifications:
1 100 MPa (at ambient temperature)/
235 °C, 1 100 MPa (at ambient
temperature)/315 °C and 1 100 MPa
(at ambient temperature)/ 425 °C —
Dimensions**

*Aéronautique et espace — Écrous à river, à freinage interne, flottants,
double patte, avec chambrage, à filetage MJ, classifications:
1 100 MPa (à température ambiante)/235 °C, 1 100 MPa
(à température ambiante)/315 °C et 1 100 MPa (à température
ambiante)/425 °C — Dimensions*

iTeh STANDARD PREVIEW
(standards.iteh.ai)

ISO 3209:2016

<https://standards.iteh.ai/catalog/standards/sist/eab1ab53-e5a9-439a-b068-58529ec63c00/iso-3209-2016>



COPYRIGHT PROTECTED DOCUMENT

© ISO 2016, Published in Switzerland

All rights reserved. Unless otherwise specified, no part of this publication may be reproduced or utilized otherwise in any form or by any means, electronic or mechanical, including photocopying, or posting on the internet or an intranet, without prior written permission. Permission can be requested from either ISO at the address below or ISO's member body in the country of the requester.

ISO copyright office
Ch. de Blandonnet 8 • CP 401
CH-1214 Vernier, Geneva, Switzerland
Tel. +41 22 749 01 11
Fax +41 22 749 09 47
copyright@iso.org
www.iso.org

Contents

	Page
Foreword.....	iv
Introduction.....	v
1 Scope.....	1
2 Normative references.....	1
3 Configuration and dimensions.....	1

iTeh STANDARD PREVIEW (standards.iteh.ai)

[ISO 3209:2016](https://standards.iteh.ai/catalog/standards/sist/eab1ab53-e5a9-439a-b068-58529ec63c00/iso-3209-2016)

<https://standards.iteh.ai/catalog/standards/sist/eab1ab53-e5a9-439a-b068-58529ec63c00/iso-3209-2016>

Foreword

ISO (the International Organization for Standardization) is a worldwide federation of national standards bodies (ISO member bodies). The work of preparing International Standards is normally carried out through ISO technical committees. Each member body interested in a subject for which a technical committee has been established has the right to be represented on that committee. International organizations, governmental and non-governmental, in liaison with ISO, also take part in the work. ISO collaborates closely with the International Electrotechnical Commission (IEC) on all matters of electrotechnical standardization.

The procedures used to develop this document and those intended for its further maintenance are described in the ISO/IEC Directives, Part 1. In particular the different approval criteria needed for the different types of ISO documents should be noted. This document was drafted in accordance with the editorial rules of the ISO/IEC Directives, Part 2 (see www.iso.org/directives).

Attention is drawn to the possibility that some of the elements of this document may be the subject of patent rights. ISO shall not be held responsible for identifying any or all such patent rights. Details of any patent rights identified during the development of the document will be in the Introduction and/or on the ISO list of patent declarations received (see www.iso.org/patents).

Any trade name used in this document is information given for the convenience of users and does not constitute an endorsement.

For an explanation on the meaning of ISO specific terms and expressions related to conformity assessment, as well as information about ISO's adherence to the WTO principles in the Technical Barriers to Trade (TBT) see the following URL: [Foreword - Supplementary information](#).

The committee responsible for this document is ISO/TC 20, *Aircraft and space vehicles*, Subcommittee SC 4, *Aerospace fastener systems*.

This third edition cancels and replaces the second edition (ISO 3209:1998), of which it constitutes a minor revision.

Introduction

The dimensions specified in this International Standard have been determined to allow production of a part which will satisfy the requirements of the procurement specification ISO 5858.

iTeh STANDARD PREVIEW (standards.iteh.ai)

[ISO 3209:2016](https://standards.iteh.ai/catalog/standards/sist/eab1ab53-e5a9-439a-b068-58529ec63c00/iso-3209-2016)

<https://standards.iteh.ai/catalog/standards/sist/eab1ab53-e5a9-439a-b068-58529ec63c00/iso-3209-2016>

iTeh STANDARD PREVIEW
(standards.iteh.ai)

ISO 3209:2016

<https://standards.iteh.ai/catalog/standards/sist/eab1ab53-e5a9-439a-b068-58529ec63c00/iso-3209-2016>

Aerospace — Nuts, anchor, self-locking, floating, two lug, with counterbore, with MJ threads, classifications: 1 100 MPa (at ambient temperature)/235 °C, 1 100 MPa (at ambient temperature)/315 °C and 1 100 MPa (at ambient temperature)/425 °C — Dimensions

1 Scope

This International Standard specifies the dimensions of self-locking, floating, two lug anchor nuts, with counterbore, with MJ threads, of classifications: 1 100 MPa/235 °C, 1 100 MPa/315 °C and 1 100 MPa/425 °C.

NOTE 1 1 100 MPa corresponds to the minimum tensile stress which the nut is able to withstand at ambient temperature without breaking or cracking when tested with a bolt of a higher strength class.

NOTE 2 235 °C, 315 °C and 425 °C corresponds to the maximum temperature that the nut is able to withstand without permanent alteration to its original characteristics, after ambient temperature has been restored. The maximum temperature is conditioned by the surface treatment.

This International Standard is only applicable for the compilation of aerospace product standards.

2 Normative references

The following documents, in whole or in part, are normatively referenced in this document and are indispensable for its application. For dated references, only the edition cited applies. For undated references, the latest edition of the referenced document (including any amendments) applies.

ISO 5855-2, *Aerospace — MJ threads — Part 2: Limit dimensions for bolts and nuts*

ISO 5858, *Aerospace — Nuts, self-locking, with maximum operating temperature less than or equal to 425 °C — Procurement specification*

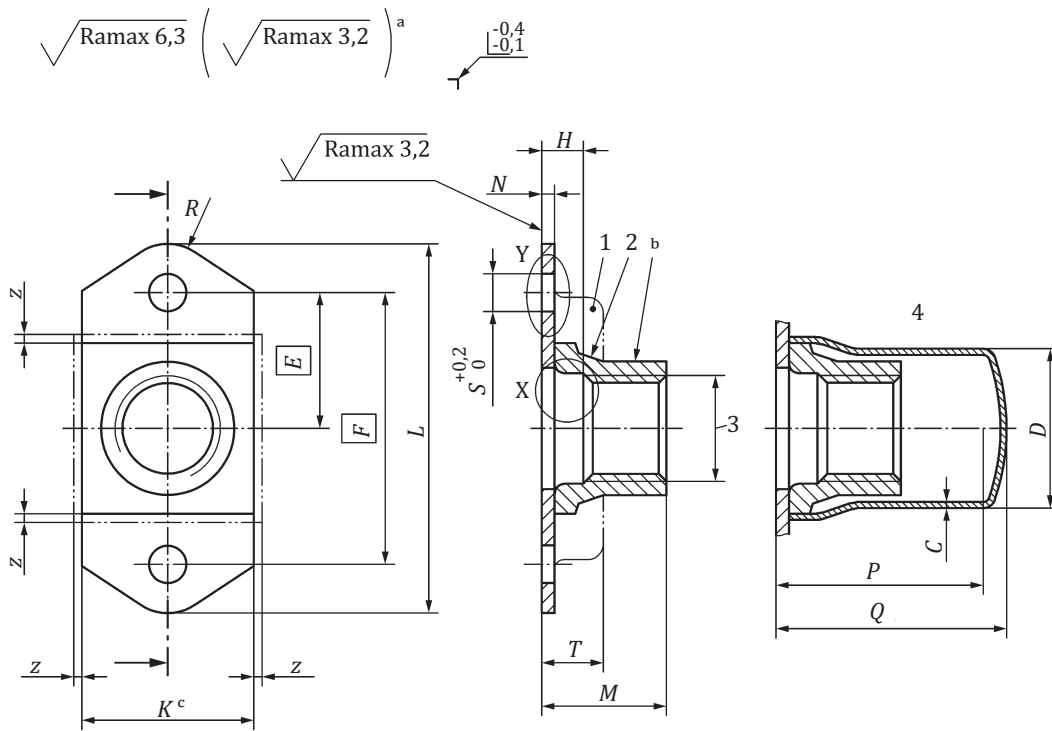
ISO 8788, *Aerospace — Nuts, metric — Tolerances of form and position*

3 Configuration and dimensions

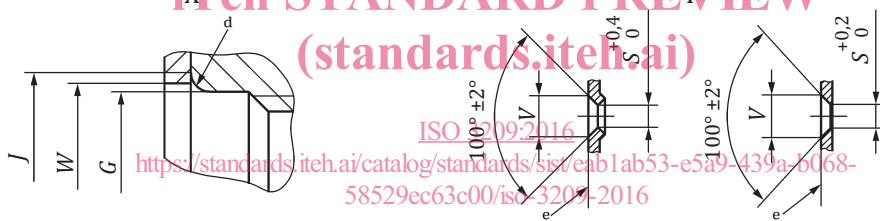
See [Figure 1](#) and [Table 1](#). Dimensions and tolerances are expressed in millimetres. They apply after any surface coating(s) but before the application of any lubricant.

The metallic cap (optional) shall remain joined to the nut at the maximum operating temperature (type of attachment at the user's discretion). See ISO 5858 for the test conditions.

Tolerances of form and position shall conform to those specified in ISO 8788. Details of form not stated are at the manufacturer's discretion.



STANDARD PREVIEW
(standards.iteh.ai)



Key

- 1 cage
- 2 threaded element
- 3 thread
- a These values, in micrometres, apply before any surface coating(s) is/are applied. The values do not apply to threads, punched holes or shear edges the surface texture of which will be as achieved by the usual manufacturing methods.
- b Form out-of-round in this area to achieve the self-locking torque requirement, tooling marks permissible in this area.
- c Float inclusive.
- d Radius or chamfer.
- e Detail Y alternatives: countersunk rivet holes (when specified by purchaser) may be dimpled or cut countersunk (at manufacturer's option).

Figure 1 — Configuration and dimensions

Table 1 — Dimensions

Dimensions in millimetres

Diameter code	Thread ^a	C max.	D max.	E	F	G min.	H min.	J ^b max.	K max.	L max.	M max.	N max.	P max.	Q max.	R ~	S	T max.	V ±0,25	W min.	Radial float Z min.
030	MJ3 × 0,5-4H6H	—	—	8,50	17,00	—	—	4,60	11,00	23,20	4,00	—	—	—	—	—	—	—	4,50	0,50
040	MJ4 × 0,7-4H6H	6,60	6,60	8,50	17,00	4,40	2,20	6,20	11,00	23,20	5,80	0,90	11,00	13,00	3,00	2,50	4,50	4,80	5,50	0,50
050	MJ5 × 0,8-4H6H	0,40	8,10	9,50	19,00	5,50	2,40	7,30	12,00	25,20	6,90	0,90	11,40	13,40	3,00	2,50	4,50	4,80	6,50	0,70
060	MJ6 × 1-4H5H	—	9,20	11,00	22,00	6,50	2,70	8,70	13,50	29,20	8,10	—	12,70	14,70	3,50	—	4,60	—	7,50	0,70
080	MJ8 × 1-4H5H	—	12,80	11,00	22,00	8,50	—	10,90	16,00	29,20	9,90	—	15,00	18,00	3,50	3,00	5,50	5,70	9,50	0,75
100	MJ10 × 1,25-4H5H	0,50	15,00	13,00	26,00	10,50	3,00	12,90	18,00	35,20	12,00	1,10	20,20	22,00	4,50	3,50	6,00	6,60	11,50	0,75

a In accordance with ISO 5855-2. In the self-locking zone, the tolerances apply before forming out of round.
b Measured at sharp corners (Chamfered) or point of tangency (radiused).
c Maximum protrusion of the bolt.