
Aeronavtika - Matice, šestrobe, drsne, z zmanjšanim zevom ključa, iz toplotnoodpornega jekla, posrebrene, levi navoj - Klasifikacija: 600 MPa (pri okoljski temperaturi)/425 °C

Aerospace series - Nuts, hexagon, plain, reduced height, reduced across flats, in heat resisting steel, silver plated, left hand thread - Classification: 600 MPa (at ambient temperature) / 425 °C

Luft- und Raumfahrt - Flache Sechskantmuttern, kleine Schlüsselweite, aus hochwarmfestem Stahl, versilbert, Linksgewinde - Klasse: 600 MPa (bei Raumtemperatur) / 425 °C

Série aérospatiale - Ecrous hexagonaux ordinaires, hauteur réduite, surplats réduits, en acier résistant à chaud, argentés, filetage à gauche - Classification: 600 MPa (à température ambiante) / 425 °C

Ta slovenski standard je istoveten z: EN 2924:2019

ICS:

21.060.20	Matice	Nuts
49.030.30	Matice	Nuts

SIST EN 2924:2019 en,fr,de

iTeh STANDARD PREVIEW
(standards.iteh.ai)

SIST EN 2924:2019

<https://standards.iteh.ai/catalog/standards/sist/5b33e078-26a5-42ee-aa7d-bd9127ef84ce/sist-en-2924-2019>

EUROPEAN STANDARD
NORME EUROPÉENNE
EUROPÄISCHE NORM

EN 2924

April 2019

ICS 49.030.30

English Version

Aerospace series - Nuts, hexagon, plain, reduced height,
reduced across flats, in heat resisting steel, silver plated,
left hand thread - Classification: 600 MPa (at ambient
temperature) / 425 °C

Série aérospatiale - Écrous hexagonaux ordinaires,
hauteur réduite, surplats réduits, en acier résistant à
chaud, argentés, filetage à gauche - Classification: 600
MPa (à température ambiante) / 425 °C

Luft- und Raumfahrt - Flache Sechskantmuttern, kleine
Schlüsselweite, aus hochwarmfestem Stahl, versilbert,
Linksgewinde - Klasse: 600 MPa (bei Raumtemperatur)
/ 425 °C

This European Standard was approved by CEN on 15 July 2018.

CEN members are bound to comply with the CEN/CENELEC Internal Regulations which stipulate the conditions for giving this European Standard the status of a national standard without any alteration. Up-to-date lists and bibliographical references concerning such national standards may be obtained on application to the CEN-CENELEC Management Centre or to any CEN member.

This European Standard exists in three official versions (English, French, German). A version in any other language made by translation under the responsibility of a CEN member into its own language and notified to the CEN-CENELEC Management Centre has the same status as the official versions.

CEN members are the national standards bodies of Austria, Belgium, Bulgaria, Croatia, Cyprus, Czech Republic, Denmark, Estonia, Finland, Former Yugoslav Republic of Macedonia, France, Germany, Greece, Hungary, Iceland, Ireland, Italy, Latvia, Lithuania, Luxembourg, Malta, Netherlands, Norway, Poland, Portugal, Romania, Serbia, Slovakia, Slovenia, Spain, Sweden, Switzerland, Turkey and United Kingdom.



EUROPEAN COMMITTEE FOR STANDARDIZATION
COMITÉ EUROPÉEN DE NORMALISATION
EUROPÄISCHES KOMITEE FÜR NORMUNG

CEN-CENELEC Management Centre: Rue de la Science 23, B-1040 Brussels

Contents

	Page
European foreword.....	3
1 Scope.....	4
2 Normative references.....	4
3 Terms and definitions	4
4 Required characteristics	4
5 Designation.....	8
6 Marking.....	8
7 Technical specification.....	8

iTeh STANDARD PREVIEW (standards.iteh.ai)

SIST EN 2924:2019

<https://standards.iteh.ai/catalog/standards/sist/5b33e078-26a5-42ee-aa7d-bd9127ef84ce/sist-en-2924-2019>

European foreword

This document (EN 2924:2019) has been prepared by the Aerospace and Defence Industries Association of Europe - Standardization (ASD-STAN).

After enquiries and votes carried out in accordance with the rules of this Association, this Standard has received the approval of the National Associations and the Official Services of the member countries of ASD, prior to its presentation to CEN.

This European Standard shall be given the status of a national standard, either by publication of an identical text or by endorsement, at the latest by October 2019, and conflicting national standards shall be withdrawn at the latest by October 2019.

Attention is drawn to the possibility that some of the elements of this document may be the subject of patent rights. CEN shall not be held responsible for identifying any or all such patent rights.

According to the CEN-CENELEC Internal Regulations, the national standards organizations of the following countries are bound to implement this European Standard: Austria, Belgium, Bulgaria, Croatia, Cyprus, Czech Republic, Denmark, Estonia, Finland, Former Yugoslav Republic of Macedonia, France, Germany, Greece, Hungary, Iceland, Ireland, Italy, Latvia, Lithuania, Luxembourg, Malta, Netherlands, Norway, Poland, Portugal, Romania, Serbia, Slovakia, Slovenia, Spain, Sweden, Switzerland, Turkey and the United Kingdom.

[SIST EN 2924:2019](https://standards.iteh.ai/catalog/standards/sist/5b33e078-26a5-42ee-aa7d-bd9127ef84ce/sist-en-2924-2019)

<https://standards.iteh.ai/catalog/standards/sist/5b33e078-26a5-42ee-aa7d-bd9127ef84ce/sist-en-2924-2019>

EN 2924:2019 (E)**1 Scope**

This European standard specifies the characteristics of hexagon plain nuts, reduced height, reduced across flats, with left hand thread, in heat resisting steel, silver plated, for aerospace applications.

Classification: 600 MPa¹/425 °C².

2 Normative references

The following documents are referred to in the text in such a way that some or all of their content constitutes requirements of this document. For dated references, only the edition cited applies. For undated references, the latest edition of the referenced document (including any amendments) applies.

EN 2424, *Aerospace series — Marking of aerospace products*

EN 2786, *Aerospace series — Electrolytic silver plating of fasteners*

EN 9100, *Quality Management Systems — Requirements for Aviation, Space and Defence Organizations*

ISO 5855-2, *Aerospace — MJ threads — Part 2: Limit dimensions for bolts and nuts*

ISO 8788, *Aerospace — Nuts, metric — Tolerances of form and position*

ISO 9139, *Aerospace — Nuts, plain or slotted (castellated) — Procurement specification*

TR 3823-002, *Aerospace series — Materials for plain, slotted and self-locking by plastic ring hexagonal nuts*³

3 Terms and definitions

No terms and definitions are listed in this document.

ISO and IEC maintain terminological databases for use in standardization at the following addresses:

- ISO Online browsing platform: available at <http://www.iso.org/obp>
- IEC Electropedia: available at <http://www.electropedia.org/>

4 Required characteristics**4.1 Configuration — Dimensions — Masses**

See Figure 1 and Table 1.

-
- ¹ Corresponds to the minimum tensile stress which the nut is able to withstand at ambient temperature without breaking or cracking when tested with a bolt of a higher strength class.
 - ² Maximum temperature that the nut is able to withstand, without permanent alteration to its original characteristics, after ambient temperature has been restored. The maximum temperature is conditioned by the material.
 - ³ Published as ASD-STAN Technical Report at the date of publication of this European standard by AeroSpace and Defence industries Association of Europe – Standardization (ASD-STAN) (www.asd-stan.org).

Dimensions and tolerances are expressed in millimetres and apply after surface treatment.

Details of form not stated are at the manufacturer's option.

4.2 Tolerances of form and position

ISO 8788.



4.3 Materials

TR 3823-002.

4.4 Surface treatment

EN 2786, thickness:

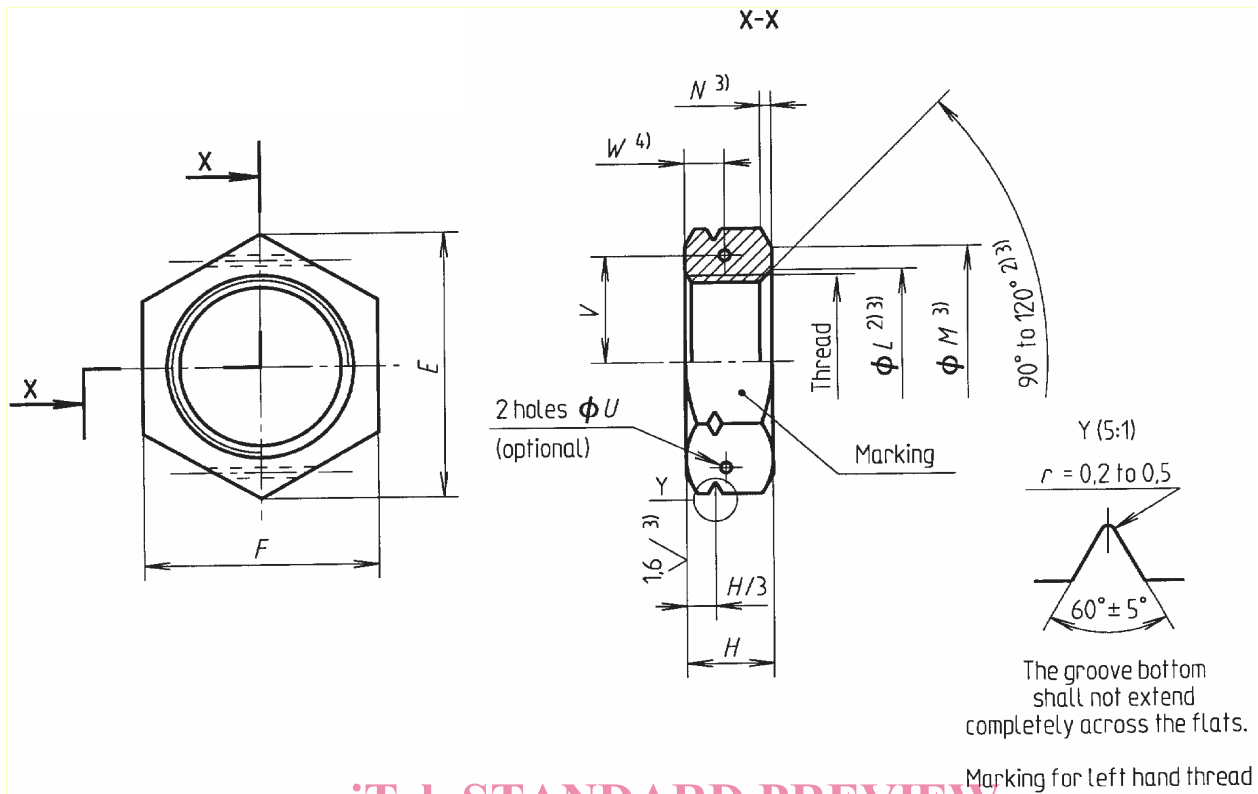
- on external surfaces: 5 µm to 15 µm;
- on pitch diameter: 5 µm minimum.

6,3 /  [1,6 / ] 1)

Remove sharp edges 0,1 to 0,4. **iTeh STANDARD PREVIEW**
(standards.iteh.ai)

SIST EN 2924:2019

<https://standards.iteh.ai/catalog/standards/sist/5b33e078-26a5-42ee-aa7d-bd9127ef84ce/sist-en-2924-2019>



iTeh STANDARD PREVIEW

- 1) These values in micrometres apply before surface treatment. They do not apply to threads the surface texture of which will be as achieved by usual manufacturing methods.
- 2) all forms of entry (chamfer or radius) permissible within the limiting dimensions
- 3) applicable to both faces <https://standards.iteh.ai/catalog/standards/sist/5b33e078-26a5-42ee-aa7d-bd9127ef84ce/sist-en-2924-2019>
- 4) from either face

Figure 1

Table 1

Diameter code	Left hand Thread ^a	<i>E</i>	<i>F</i>	<i>H</i>	<i>L</i>	<i>M</i>	<i>N</i>		<i>U</i>	<i>V</i>	<i>W</i>	Mass ^b
		min.	h13	h14	+0,8 0	min.	max.	min.	H13	±0,2	min.	
100	MJ10×1,25-4H5H-LH	15,5	14	5	10,3	13,2	0,6	0,3	1	6,3	2,1	4
120	MJ12×1,25-4H5H-LH	18,9	17	6	12,3	16			7,2	2,6	7	
140	MJ14×1,5-4H5H-LH	21,1	19	7	14,4	18			8,2	3,1	9,5	
160	MJ16×1,5-4H5H-LH	24,5	22	8	16,4	21			9,7	3,6	14,8	
180	MJ18×1,5-4H5H-LH	26,8	24	9	18,4	23			10,8	4,1	18,8	
200	MJ20×1,5-4H5H-LH	30,2	27	10	20,4	26			12,5	4,6	26,8	
220	MJ22×1,5-4H5H-LH	33,6	30	11	22,4	29			13,9	5	30,8	
240	MJ24×2-4H5H-LH	35,8	32	12	24,5	30,9			14,9	5,5	36,8	

^a In accordance with ISO 5855-2.

^b Approximate values (kg/1 000 pieces), given for information purposes only. They apply to nuts without holes.