



SLOVENSKI STANDARD SIST ISO 14728-1:2020

01-september-2020

Kotalni ležaji - Kotalni ležaji z linearnim gibanjem - 1. del: Dinamične nosilnosti in imenska doba trajanja

Rolling bearings - Linear motion rolling bearings - Part 1: Dynamic load ratings and rating life

iTeh STANDARD PREVIEW

Roulements - Roulements à mouvement linéaire

(standards.iteh.ai)

Ta slovenski standard je istoveten z: ^{SIST ISO 14728-1:2020}ISO 14728-1:2017

<https://standards.iteh.ai/catalog/standards/sist/fd8d0569-7943-4fa0-8bbd-72ad81fc50bc/sist-iso-14728-1-2020>

ICS:

21.100.20 Kotalni ležaji Rolling bearings

SIST ISO 14728-1:2020

en,fr,de

iTeh STANDARD PREVIEW
(standards.iteh.ai)

[SIST ISO 14728-1:2020](#)

<https://standards.iteh.ai/catalog/standards/sist/fd8d0569-7943-4fa0-8bbd-72ad81fc50bc/sist-iso-14728-1-2020>

INTERNATIONAL
STANDARD

ISO
14728-1

Second edition
2017-02

**Rolling bearings — Linear motion
rolling bearings —**

**Part 1:
Dynamic load ratings and rating life**

Roulements — Roulements à mouvement linéaire —

Partie 1: Charges dynamiques de base et durée nominale

**iTeh STANDARD PREVIEW
(standards.iteh.ai)**

[SIST ISO 14728-1:2020](https://standards.iteh.ai/catalog/standards/sist/fd8d0569-7943-4fa0-8bbd-72ad81fc50bc/sist-iso-14728-1-2020)

<https://standards.iteh.ai/catalog/standards/sist/fd8d0569-7943-4fa0-8bbd-72ad81fc50bc/sist-iso-14728-1-2020>



Reference number
ISO 14728-1:2017(E)

© ISO 2017

iTeh STANDARD PREVIEW (standards.iteh.ai)

SIST ISO 14728-1:2020

<https://standards.iteh.ai/catalog/standards/sist/fd8d0569-7943-4fa0-8bbd-72ad81fc50bc/sist-iso-14728-1-2020>



COPYRIGHT PROTECTED DOCUMENT

© ISO 2017, Published in Switzerland

All rights reserved. Unless otherwise specified, no part of this publication may be reproduced or utilized otherwise in any form or by any means, electronic or mechanical, including photocopying, or posting on the internet or an intranet, without prior written permission. Permission can be requested from either ISO at the address below or ISO's member body in the country of the requester.

ISO copyright office
Ch. de Blandonnet 8 • CP 401
CH-1214 Vernier, Geneva, Switzerland
Tel. +41 22 749 01 11
Fax +41 22 749 09 47
copyright@iso.org
www.iso.org

Contents

	Page
Foreword.....	iv
Introduction.....	v
1 Scope.....	1
2 Normative references.....	1
3 Terms and definitions.....	1
4 Symbols.....	7
5 Basic dynamic load ratings.....	8
5.1 Linear ball bearings.....	8
5.1.1 Recirculating linear ball bearings, sleeve type with raceway grooves.....	8
5.1.2 Recirculating linear ball bearings, sleeve type without raceway grooves.....	9
5.1.3 Recirculating linear ball bearings, linear guideway, carriage type.....	9
5.1.4 Non-recirculating linear ball bearings, linear guideway, deep groove and four-point-contact types.....	10
5.2 Linear roller bearings.....	11
5.2.1 Recirculating linear roller bearings, linear guideway, carriage type.....	11
5.2.2 Non-recirculating linear roller bearings, linear guideway, flat, V-angle and crossed roller types.....	11
6 Dynamic equivalent load.....	12
7 Basic rating life.....	12
Bibliography.....	14

[SIST ISO 14728-1:2020](https://standards.iteh.ai/catalog/standards/sist/fd8d0569-7943-4fa0-8bbd-72ad81fc50bc/sist-iso-14728-1-2020)
<https://standards.iteh.ai/catalog/standards/sist/fd8d0569-7943-4fa0-8bbd-72ad81fc50bc/sist-iso-14728-1-2020>

ISO 14728-1:2017(E)

Foreword

ISO (the International Organization for Standardization) is a worldwide federation of national standards bodies (ISO member bodies). The work of preparing International Standards is normally carried out through ISO technical committees. Each member body interested in a subject for which a technical committee has been established has the right to be represented on that committee. International organizations, governmental and non-governmental, in liaison with ISO, also take part in the work. ISO collaborates closely with the International Electrotechnical Commission (IEC) on all matters of electrotechnical standardization.

The procedures used to develop this document and those intended for its further maintenance are described in the ISO/IEC Directives, Part 1. In particular the different approval criteria needed for the different types of ISO documents should be noted. This document was drafted in accordance with the editorial rules of the ISO/IEC Directives, Part 2 (see www.iso.org/directives).

Attention is drawn to the possibility that some of the elements of this document may be the subject of patent rights. ISO shall not be held responsible for identifying any or all such patent rights. Details of any patent rights identified during the development of the document will be in the Introduction and/or on the ISO list of patent declarations received (see www.iso.org/patents).

Any trade name used in this document is information given for the convenience of users and does not constitute an endorsement.

For an explanation on the meaning of ISO specific terms and expressions related to conformity assessment, as well as information about ISO's adherence to the World Trade Organization (WTO) principles in the Technical Barriers to Trade (TBT) see the following URL: www.iso.org/iso/foreword.html

This document was prepared by Technical Committee ISO/TC 4, *Rolling bearings*, Subcommittee SC 8, *Load ratings and life*.

SIST ISO 14728-1:2020

This second edition cancels and replaces the first edition (ISO 14728-1:2004), of which it constitutes a minor revision with the following changes:

- improvement of [Figures 2, 4, 8](#) and [9](#);
- correction of terms and definitions (change of ball/roller guide systems to linear ball/roller bearings);
- correction of font (ϕ changed to φ);
- alignment with the latest drafting rules.

A list of parts in the ISO 14728 series can be found on the ISO website.

Introduction

It is often impractical to establish the suitability of a linear motion rolling bearing selected for a specific application by testing. The following procedures have proved to be an appropriate and convenient substitute for testing:

- life calculation with dynamic load (ISO 14728-1);
- static load safety factor calculation with static load (ISO 14728-2).

The life of a linear motion bearing is given by the distance which one of the raceways moves, in relation to the other raceway, before the first evidence of fatigue develops in the material of one of the raceways or one of the rolling elements.

The formulae for calculating the basic dynamic load ratings are derived from the theory of Lundberg^[Z] and Palmgren^[8].

iTeh STANDARD PREVIEW (standards.iteh.ai)

[SIST ISO 14728-1:2020](https://standards.iteh.ai/catalog/standards/sist/fd8d0569-7943-4fa0-8bbd-72ad81fc50bc/sist-iso-14728-1-2020)

<https://standards.iteh.ai/catalog/standards/sist/fd8d0569-7943-4fa0-8bbd-72ad81fc50bc/sist-iso-14728-1-2020>

iTeh STANDARD PREVIEW
(standards.iteh.ai)

[SIST ISO 14728-1:2020](#)

<https://standards.iteh.ai/catalog/standards/sist/fd8d0569-7943-4fa0-8bbd-72ad81fc50bc/sist-iso-14728-1-2020>

Rolling bearings — Linear motion rolling bearings —

Part 1: Dynamic load ratings and rating life

1 Scope

This document specifies methods of calculating the basic dynamic load rating and basic rating life for linear motion rolling bearings manufactured from contemporary, commonly used, high quality, hardened bearing steel in accordance with good manufacturing practice and basically of conventional design as regards the shape of the rolling contact surfaces. The life of linear motion rolling bearings is defined and the conditions are established for reliable life calculations.

This document is not applicable to designs where the rolling elements operate directly on the slide surface of the machine equipment, unless that surface is equivalent in all respects to the raceway of the linear motion rolling bearing component it replaces.

2 Normative references

There are no normative references in this document.

3 Terms and definitions

For the purposes of this document, the terms and definitions given in ISO 281 and ISO 5593, and the following apply.

ISO and IEC maintain terminological databases for use in standardization at the following addresses:

- IEC Electropedia: available at <http://www.electropedia.org/>
- ISO Online browsing platform: available at <http://www.iso.org/obp>

3.1

recirculating linear ball bearing, sleeve type, with or without raceway grooves

basically cylindrical sleeve provided with a number of closed loops of recirculating balls designed to achieve linear rolling motion along a hardened cylindrical shaft

Note 1 to entry: See [Figure 1](#).

Note 2 to entry: The raceways in the sleeve can be designed cylindrical as well as steel inserts with raceway grooves parallel to the axis.

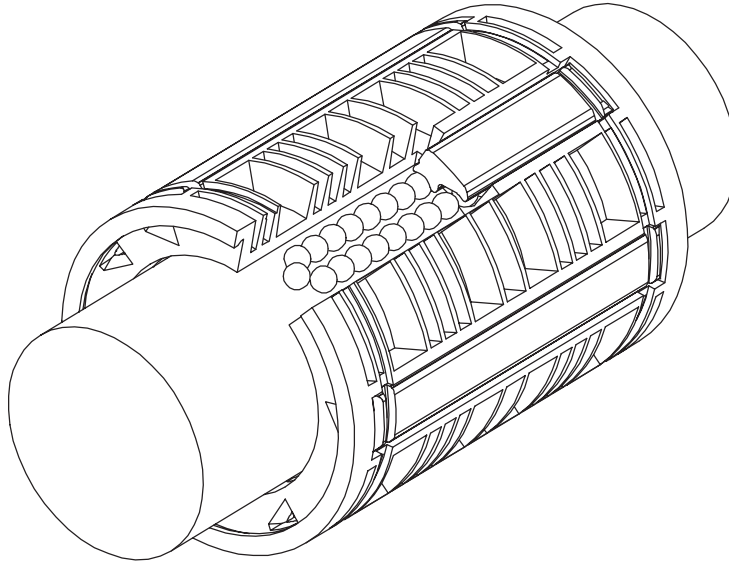


Figure 1 — Recirculating linear ball bearing, sleeve type

3.2

recirculating linear ball (or roller) bearing, linear guideway, carriage type

linear ball (or roller) bearing provided with a number of symmetrically arranged, closed loops of recirculating balls (or rollers) designed to achieve linear rolling motion along a hardened guideway furnished with adequate raceways

(standards.iteh.ai)

Note 1 to entry: See [Figure 2](#).

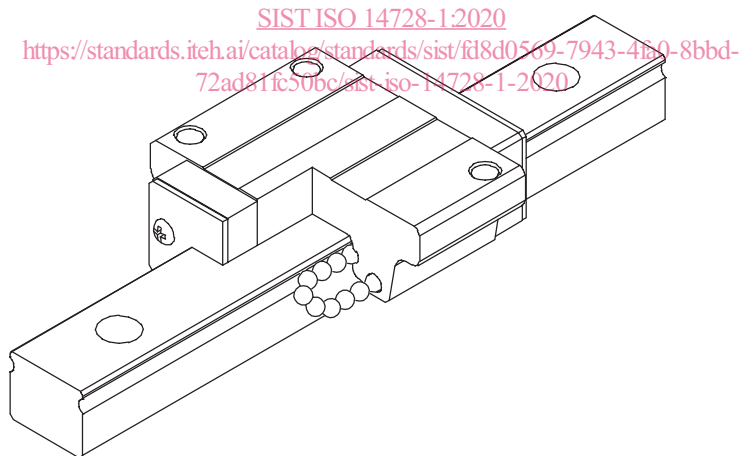


Figure 2 — Recirculating linear ball (or roller) bearing, linear guideway, carriage type

3.3**non-recirculating linear ball bearing, linear guideway, deep groove type**

linear bearing with balls as rolling elements, each ball having two points of contact

Note 1 to entry: See [Figure 3](#).

Note 2 to entry: The cross-sectional radii of the raceway grooves in the two guideways are equal and may lie between $0,52 D_w$ and infinity.

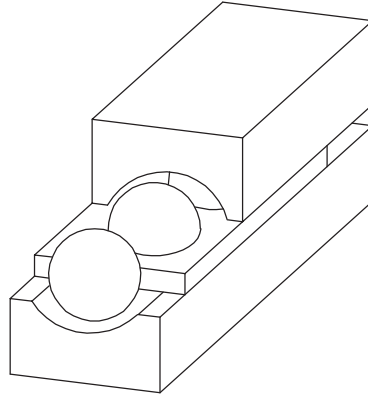


Figure 3 — Non-recirculating linear ball bearing, linear guideway, deep groove type

3.4**non-recirculating linear ball bearing, linear guideway, four-point-contact type**

linear bearing with balls as rolling elements, each ball having four points of contact

Note 1 to entry: See [Figure 4](#).

Note 2 to entry: The cross-sectional radii of the raceway grooves for the four points of contact in the two guideways are equal and may lie between $0,52 D_w$ and infinity.

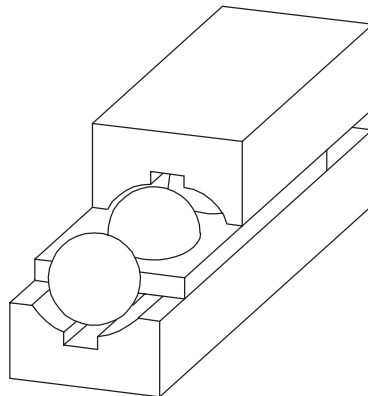


Figure 4 — Non-recirculating linear ball bearing, linear guideway, four-point-contact type