
INTERNATIONAL STANDARD



1948

INTERNATIONAL ORGANIZATION FOR STANDARDIZATION • МЕЖДУНАРОДНАЯ ОРГАНИЗАЦИЯ ПО СТАНДАРТИЗАЦИИ • ORGANISATION INTERNATIONALE DE NORMALISATION

Photography — Front lens barrels up to 100 mm — Dimensions important to the connection of auxiliaries

First edition — 1973-10-01

iTeh STANDARD PREVIEW
(standards.iteh.ai)

ISO 1948:1973

<https://standards.iteh.ai/catalog/standards/sist/23144e33-afa9-4f30-a7b0-39acb712e67a/iso-1948-1973>

UDC 771.351

Ref. No. ISO 1948-1973 (E)

Descriptors : photography, photographic equipment, photographic lenses, dimensions.

Price based on 1 page

FOREWORD

ISO (the International Organization for Standardization) is a worldwide federation of national standards institutes (ISO Member Bodies). The work of developing International Standards is carried out through ISO Technical Committees. Every Member Body interested in a subject for which a Technical Committee has been set up has the right to be represented on that Committee. International organizations, governmental and non-governmental, in liaison with ISO, also take part in the work.

Draft International Standards adopted by the Technical Committees are circulated to the Member Bodies for approval before their acceptance as International Standards by the ISO Council.

Prior to 1972, the results of the work of the Technical Committees were published as ISO Recommendations; these documents are now in the process of being transformed into International Standards. As part of this process, Technical Committee ISO/TC 42, *Photography*, has reviewed ISO Recommendation R 1948-1971 and found it technically suitable for transformation. International Standard ISO 1948 therefore replaces ISO Recommendation R 1948-1971, which was approved by the Member Bodies of the following countries:

Australia	Germany	Sweden
Austria	Greece	Thailand
Belgium	Israel	United Kingdom
Canada	Japan	U.S.A.
Czechoslovakia	South Africa, Rep. of	U.S.S.R.
Egypt, Arab Rep. of	Spain	

The Member Bodies of the following countries expressed disapproval of the Recommendation on technical grounds :

France
Switzerland

Photography – Front lens barrels up to 100 mm – Dimensions important to the connection of auxiliaries

1 SCOPE AND FIELD OF APPLICATION

This International Standard specifies a standard series of diameter sizes for the front part of a lens barrel (dimension *B* in the figure) and a standard series of thread sizes (dimension *A* in the figure) for the same front barrel. It is applicable to camera lenses and lenses for enlargers and similar equipment. It is intended that these standard sizes will simplify the production and storage of such auxiliary equipment as filters.

2 DIMENSIONS

The dimensions shall be as shown in the figure and given in the table.

TABLE – Important dimensions

Values in millimetres

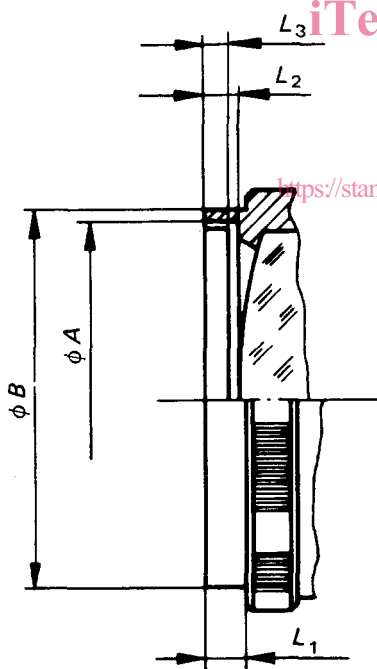


FIGURE – Typical front lens barrel

Screw thread <i>A</i> major diameter × pitch	basic size	Outside diameter of the barrel <i>B</i>		<i>L</i> ₁ min.	<i>L</i> ₂ min.	<i>L</i> ₃ min.
		Tolerance h12				
		upper deviation	lower deviation			
13,5 × 0,5	15	0	-0,18	2,0	1,8	1,2
16,5 × 0,5	18	0	-0,18	2,0	1,8	1,2
19,5 × 0,5	21	0	-0,21	2,5	2,2	1,5
(22,5 × 0,5)	(24)	0	-0,21	2,5	2,2	1,5
25,5 × 0,5	27	0	-0,21	2,5	2,2	1,5
30,5 × 0,5	32	0	-0,25	2,5	2,2	1,5
35,5 × 0,5	37	0	-0,25	2,5	2,2	1,5
40,5 × 0,5	42	0	-0,25	3,0	2,5	1,8
(43 × 0,75)	(45)	0	-0,25	3,0	2,5	1,8
46 × 0,75	48	0	-0,25	3,5	3,0	2,0
(49 × 0,75)	(51)	0	-0,30	3,5	3,0	2,0
52 × 0,75	54	0	-0,30	3,5	3,0	2,0
(55 × 0,75)	(57)	0	-0,30	3,5	3,0	2,0
58 × 0,75	60	0	-0,30	4,0	3,0	2,0
67 × 0,75	70	0	-0,30	4,5	3,5	2,5
77 × 0,75	80	0	-0,30	5,0	3,5	2,5
86 × 1,0	90	0	-0,35	6,0	4,5	3,0
95 × 1,0	100	0	-0,35	6,0	4,5	3,0

NOTES

- The non-preferred dimensions are given in parentheses.
- The profile of the screw thread is in accordance with ISO/R 68, *ISO General purpose screw threads – Basic profile*.
- Dimension *B* includes the finish. The tolerance h12 is in accordance with ISO/R 286, *ISO System of limits and fits – Part 1: General, tolerances and deviations*.

iTeh STANDARD PREVIEW
(standards.iteh.ai)

ISO 1948:1973

<https://standards.iteh.ai/catalog/standards/sist/23144e33-afa9-4f30-a7b0-39acb712e67a/iso-1948-1973>