
Stationary training equipment —

Part 4:

**Strength training benches, additional
specific safety requirements and test
methods**

iTeh STANDARD PREVIEW

*Équipement d'entraînement fixe —
Partie 4: Bancs pour haltères, exigences spécifiques de sécurité et
méthodes d'essai supplémentaires*

ISO 20957-4:2016

<https://standards.itih.ai/catalog/standards/sist/493f3667-4fe3-49c4-8474-cdc248c01604/iso-20957-4-2016>



iTeh STANDARD PREVIEW
(standards.iteh.ai)

ISO 20957-4:2016

<https://standards.iteh.ai/catalog/standards/sist/493f3667-4fe3-49c4-8474-cdc248c01604/iso-20957-4-2016>



COPYRIGHT PROTECTED DOCUMENT

© ISO 2016, Published in Switzerland

All rights reserved. Unless otherwise specified, no part of this publication may be reproduced or utilized otherwise in any form or by any means, electronic or mechanical, including photocopying, or posting on the internet or an intranet, without prior written permission. Permission can be requested from either ISO at the address below or ISO's member body in the country of the requester.

ISO copyright office
Ch. de Blandonnet 8 • CP 401
CH-1214 Vernier, Geneva, Switzerland
Tel. +41 22 749 01 11
Fax +41 22 749 09 47
copyright@iso.org
www.iso.org

Contents

	Page
Foreword	iv
Introduction	v
1 Scope	1
2 Normative references	1
3 Terms and definitions	1
4 Classification	1
5 Safety requirements	1
5.1 General.....	1
5.2 Benches with fixed barbell supports.....	1
5.2.1 Stability of the barbell.....	1
5.2.2 Lateral stability of benches with fixed barbell supports.....	2
5.2.3 Longitudinal stability of benches with fixed barbell supports.....	2
5.3 Free-standing barbell supports.....	2
5.4 Dimensions of the barbell support.....	2
5.5 Barbell support strength and stability.....	2
5.6 Loading.....	2
5.7 Barbell support.....	3
6 Test methods	3
6.1 General.....	3
6.1.1 Dimensional check.....	3
6.1.2 Visual examination.....	3
6.1.3 Performance test.....	3
6.2 Testing of rotational stability of the barbell.....	3
6.3 Testing of rotational stability of benches with fixed barbell supports.....	4
6.4 Testing of longitudinal stability.....	4
6.5 Testing of barbell support strength and stability.....	4
7 Test report	5

Foreword

ISO (the International Organization for Standardization) is a worldwide federation of national standards bodies (ISO member bodies). The work of preparing International Standards is normally carried out through ISO technical committees. Each member body interested in a subject for which a technical committee has been established has the right to be represented on that committee. International organizations, governmental and non-governmental, in liaison with ISO, also take part in the work. ISO collaborates closely with the International Electrotechnical Commission (IEC) on all matters of electrotechnical standardization.

The procedures used to develop this document and those intended for its further maintenance are described in the ISO/IEC Directives, Part 1. In particular the different approval criteria needed for the different types of ISO documents should be noted. This document was drafted in accordance with the editorial rules of the ISO/IEC Directives, Part 2 (see www.iso.org/directives).

Attention is drawn to the possibility that some of the elements of this document may be the subject of patent rights. ISO shall not be held responsible for identifying any or all such patent rights. Details of any patent rights identified during the development of the document will be in the Introduction and/or on the ISO list of patent declarations received (see www.iso.org/patents).

Any trade name used in this document is information given for the convenience of users and does not constitute an endorsement.

For an explanation on the meaning of ISO specific terms and expressions related to conformity assessment, as well as information about ISO's adherence to the World Trade Organization (WTO) principles in the Technical Barriers to Trade (TBT) see the following URL: www.iso.org/iso/foreword.html.

ISO 20957-4 was prepared by the European Committee Standardization (CEN) Technical Committee CEN/TC 136, *Sports, playground and other recreational facilities and equipment*, in collaboration with ISO Technical Committee TC 83, *Sports and other recreational facilities and equipment*, in accordance with the agreement on technical cooperation between ISO and CEN (Vienna Agreement).

This second edition cancels and replaces the first edition (ISO 20957-4:2005), which has been technically revised with the following changes:

- publication as an EN ISO;
- formulation aligned with ISO 20957-1;
- [Clause 5](#) "Safety requirements" specified and restructured;
- [Clause 6](#) "Test methods" specified and restructured;
- normative references updated.

A list of all parts in the ISO 20957 series can be found on the ISO website.

Introduction

This document concerns the safety of strength training benches. It is intended to be used in conjunction with ISO 20957-1. The requirements of this document take priority over the requirements in ISO 20957-1.

iTeh STANDARD PREVIEW (standards.iteh.ai)

[ISO 20957-4:2016](https://standards.iteh.ai/catalog/standards/sist/493f3667-4fe3-49c4-8474-cdc248c01604/iso-20957-4-2016)

<https://standards.iteh.ai/catalog/standards/sist/493f3667-4fe3-49c4-8474-cdc248c01604/iso-20957-4-2016>

iTeh STANDARD PREVIEW
(standards.iteh.ai)

ISO 20957-4:2016

<https://standards.iteh.ai/catalog/standards/sist/493f3667-4fe3-49c4-8474-cdc248c01604/iso-20957-4-2016>

Stationary training equipment —

Part 4:

Strength training benches, additional specific safety requirements and test methods

1 Scope

This document specifies safety requirements for stationary strength training benches and free-standing barbell racks in addition to the general safety requirements of ISO 20957-1. It is intended to be read in conjunction with ISO 20957-1.

This document is applicable to stationary training equipment type benches (type 4) (hereinafter referred to as benches) with the classes S, H and I according to ISO 20957-1.

2 Normative references

The following documents are referred to in the text in such a way that some or all of their content constitutes requirements of this document. For dated references, only the edition cited applies. For undated references, the latest edition of the referenced document (including any amendments) applies.

ISO 20957-1, *Stationary training equipment — Part 1: General safety requirements and test methods*

ISO 20957-4:2016

3 Terms and definitions

<https://standards.iteh.ai/catalog/standards/sist/493f3667-4fe3-49c4-8474-cdc248c01604/iso-20957-4-2016>

For the purposes of this document, the terms and definitions given in ISO 20957-1 apply.

ISO and IEC maintain terminological databases for use in standardization at the following addresses:

- IEC Electropedia: available at <http://www.electropedia.org/>
- ISO Online browsing platform: available at <http://www.iso.org/obp>

4 Classification

The classification shall be according to ISO 20957-1.

5 Safety requirements

5.1 General

Depending on the design of the training equipment, the following requirements shall apply as appropriate.

5.2 Benches with fixed barbell supports

5.2.1 Stability of the barbell

Overturning of the barbell by an unequal load shall be prevented either by the distance between the supports or safety device.

Test in accordance with [6.2](#).

5.2.2 Lateral stability of benches with fixed barbell supports

Benches with fixed barbell supports shall be stable when loaded with unequal load at right angles to the longitudinal axis.

Test in accordance with [6.3](#).

5.2.3 Longitudinal stability of benches with fixed barbell supports

Benches with fixed barbell supports shall be stable in the longitudinal direction with respect to the bench.

Test in accordance with [6.4](#).

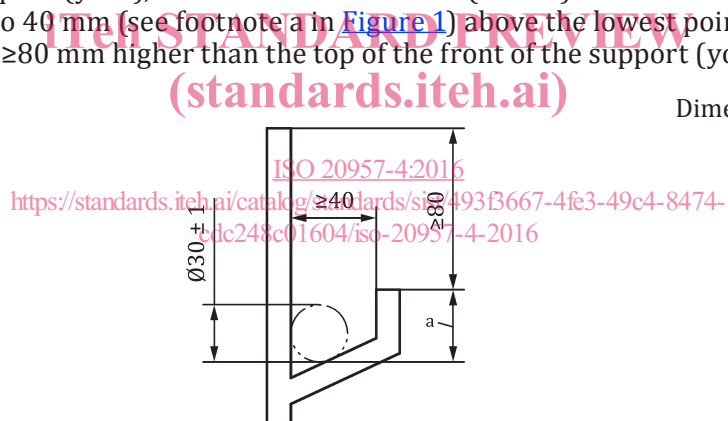
5.3 Free-standing barbell supports

Free-standing barbell supports shall have a device for connecting to the ground.

Test in accordance with [6.1.2](#).

5.4 Dimensions of the barbell support

The front part of the support (yoke), when measured with a (30 ± 1) mm diameter bar, shall have a vertical height of 20 mm to 40 mm (see footnote a in [Figure 1](#)) above the lowest point of the resting bar and the rear part shall be ≥ 80 mm higher than the top of the front of the support (yoke) (see [Figure 1](#)).



Dimensions in millimetres

Key

a Vertical height of the barbell support, 20 mm to 40 mm.

Figure 1 — Dimensions of the barbell support

Test in accordance with [6.1.1](#).

5.5 Barbell support strength and stability

The rear part of the barbell support shall absorb the loads without breakage, shall not tip over and shall still function as intended by the manufacturer, when subjected to a non-symmetric barbell impact.

Test in accordance with [6.5](#).

5.6 Loading

For benches classes H, S and I, the intrinsic and extrinsic loading shall comply with ISO 20957-1.

5.7 Barbell support

Any part of the equipment intended to support free weights shall be easily accessible to the user while accepting or replacing the barbell.

Test in accordance with [6.1.3](#).

6 Test methods

6.1 General

6.1.1 Dimensional check

The measurement shall be done with appropriate measurement devices.

6.1.2 Visual examination

The visual examination shall be done under proper lighting.

6.1.3 Performance test

The tested mechanism shall be actuated as intended by the manufacturer.

6.2 Testing of rotational stability of the barbell

A solid steel bar which is $(1\ 600 \pm 50)$ mm long and has a diameter of $(27,5 \pm 1)$ mm shall be placed centrally on the barbell supports. If the bench is designed for use with an Olympic size steel bar, use an Olympic steel bar of $(2\ 200 \pm 50)$ mm instead of the $(1\ 600 \pm 50)$ mm steel bar.

Then one weight disk of

- a) 10 kg for class H, and
- b) 20 kg for class S

shall be placed on one side of the steel bar with mid-plane of the disk positioned according to [Figure 2](#).

Dimensions in millimetres

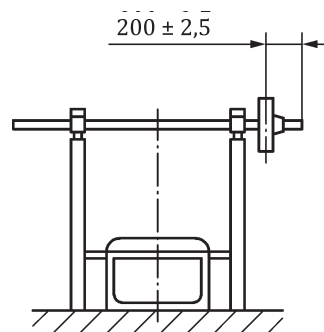


Figure 2 — Stability test under unequal load