



## Standard Specification for

# Air Performance Measurement Plenum Chamber for Vacuum Cleaners<sup>1</sup>

This standard is issued under the fixed designation F431; the number immediately following the designation indicates the year of original adoption or, in the case of revision, the year of last revision. A number in parentheses indicates the year of last reapproval. A superscript epsilon ( $\epsilon$ ) indicates an editorial change since the last revision or reapproval.

### 1. Scope

1.1 This specification covers the acceptable details and tolerances for the plenum chamber used in specified air performance measurement tests for vacuum cleaners.

1.2 The plenum chamber is designed for vacuum measurements only. (**Warning**—The plenum chamber has been shown to accurately determine maximum air power values at various test points for vacuum cleaners. There is a possibility that the airflow values measured with orifices larger than 2 in. at high flow rates may be erroneous due to the proximity of the top and bottom surfaces to the orifice plate inlet.)

1.3 The values stated in inch-pound units are to be regarded as standard. The values given in parentheses are mathematical conversions to SI units that are provided for information only and are not considered standard.

### 2. Referenced Documents

#### 2.1 ASTM Standards:<sup>2</sup>

<sup>1</sup>This specification is under the jurisdiction of ASTM Committee F11 on Vacuum Cleaners and is the direct responsibility of Subcommittee F11.22 on Air Performance.

Current edition approved Nov. 1, 2008. Published February 2009. Originally approved in 1975. Last previous edition approved in 2004 as F431 – 04. DOI: 10.1520/F0431-04R08.

<sup>2</sup>For referenced ASTM standards, visit the ASTM website, www.astm.org, or contact ASTM Customer Service at service@astm.org. For Annual Book of ASTM Standards volume information, refer to the standard's Document Summary page on the ASTM website.

F558 Test Method for Measuring Air Performance Characteristics of Vacuum Cleaners

F820 Test Method for Measuring Air Performance Characteristics of Central Vacuum Cleaning Systems

#### 2.2 ASTM Adjunct:

Orifice Plate Holder Details (F431)<sup>3</sup>

### 3. Details

3.1 Plenum chambers conforming to this specification shall be fabricated in accordance with the dimensions, tolerances, and notes shown in the following figures:

3.1.1 Plenum chamber assembly, see Fig. 1.

3.1.2 Orifice plate detail, see Fig. 2.

3.1.3 Orifice plate holder and assembly, see Fig. 3.

3.2 Manometer connection detail, see Fig. 1(f), Note 17.

### 4. Orifice Plates

4.1 Orifice plates conforming to this specification shall be fabricated in accordance to the dimensions, tolerances, and notes shown in the following figure:

4.1.1 Orifice plate dimensional detail, see Fig. 2(a).

4.1.2 Acceptable machined edges for orifice plates, see Fig. 2(b).

<sup>3</sup> Available from ASTM International Headquarters. Order Adjunct No. ADJF4031.

**5. Keywords**

5.1 air performance; orifice plate; plenum chamber; vacuum cleaner

**iTeh Standards**  
**(<https://standards.itih.ai>)**  
**Document Preview**

[ASTM F431-04\(2008\)](#)

<https://standards.itih.ai/catalog/standards/sist/bc18d0f4-8fc0-4608-92eb-9b1d7da555bf/astm-f431-042008>

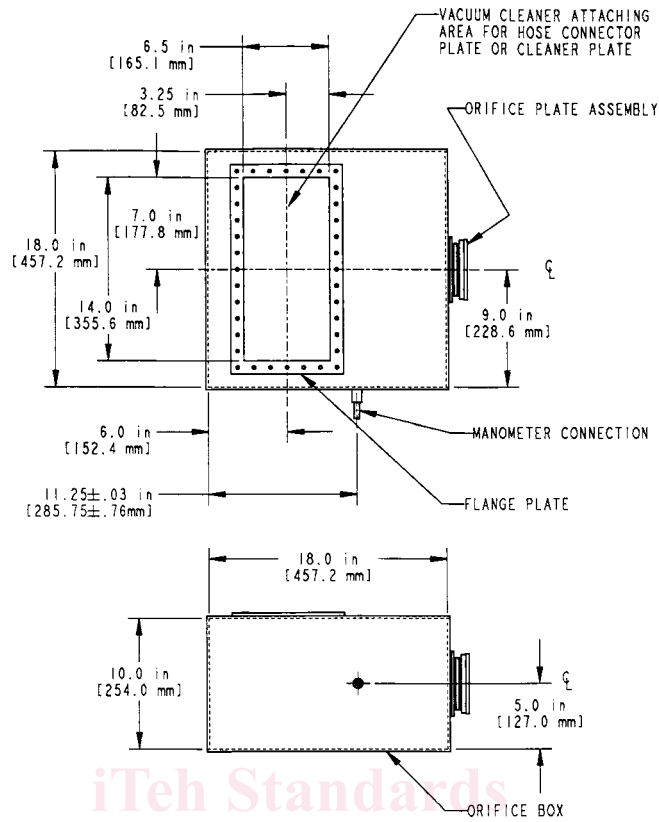


FIG. 1 (a) Plenum Chamber (Material: see Note 8)

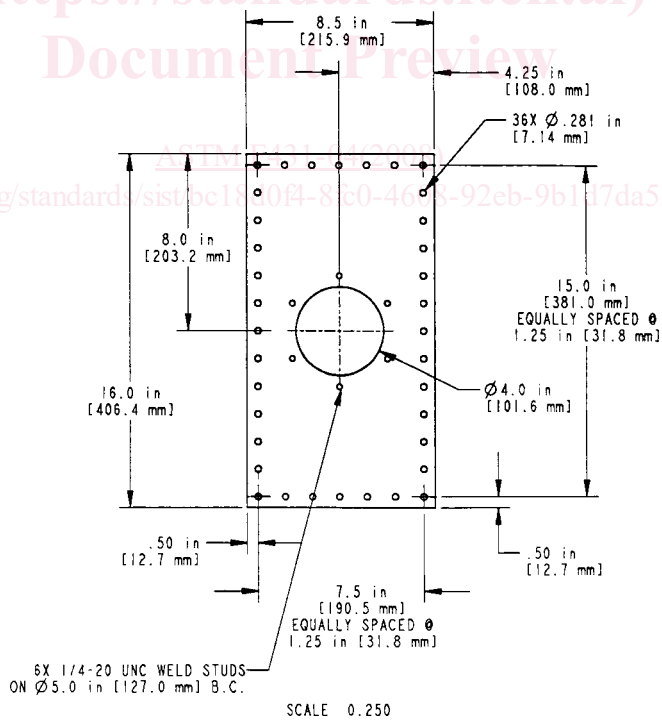
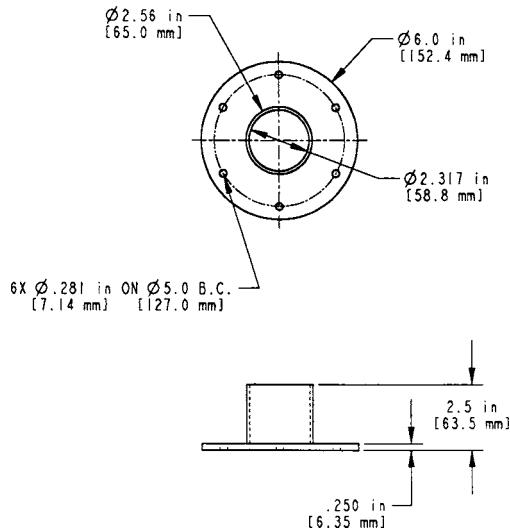
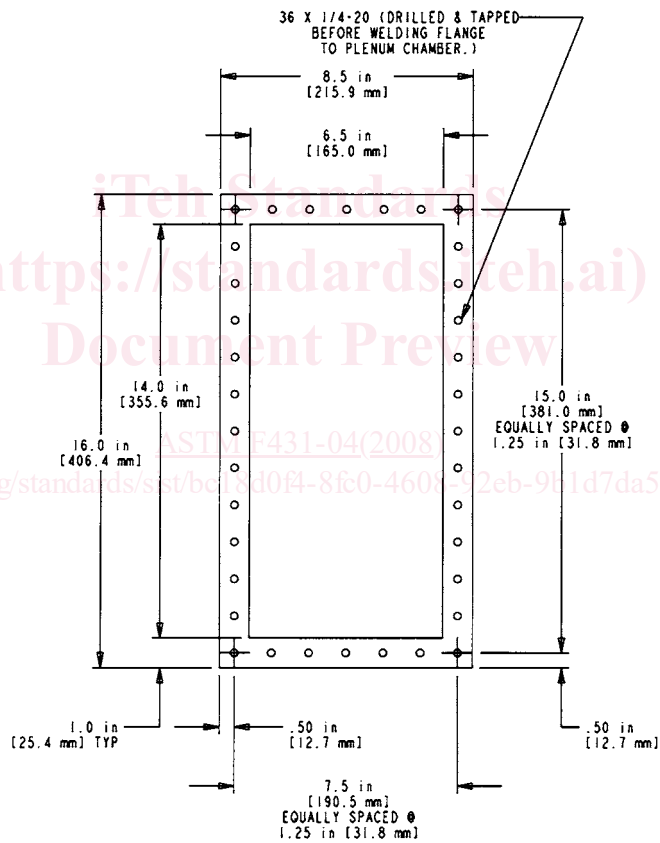


FIG. 1 (b) Hose Connector Plate (Material: 0.250-in. (6.35-mm) Steel) (continued)

**ASTM F431 - 04 (2008)**



**FIG. 1 (c) Hose Connector (Material: Aluminum or Steel—see Note 16) (continued)**



**FIG. 1 (d) Flange Plate (Material: 0.250-in. (6.35-mm) Steel) (continued)**

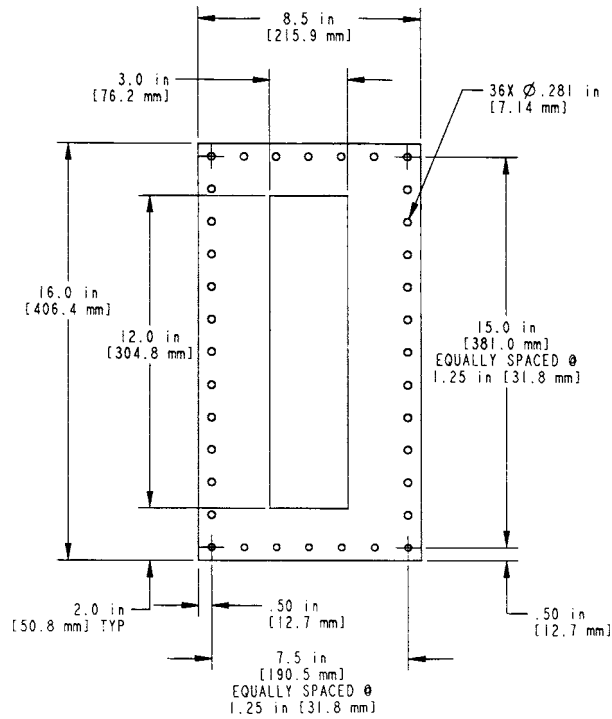
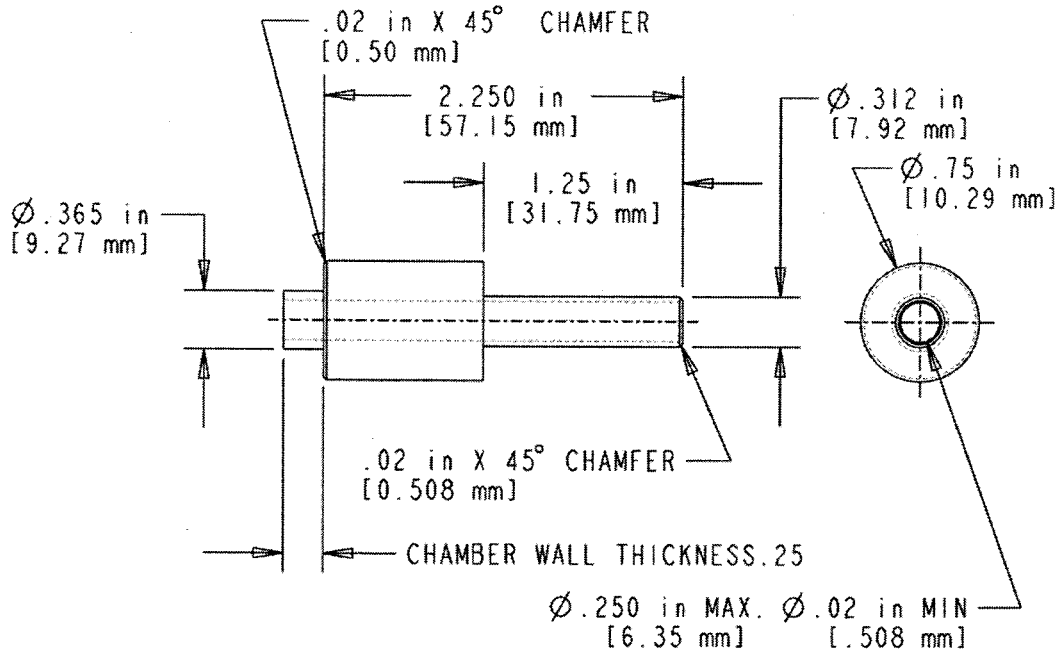


FIG. 1 (e) Cleaner Plate (Material: 0.250-in. (6.35-mm) Steel) (continued)

iTeh Standards  
 (https://standards.itih.ai)  
 Document Preview

[ASTM F431-04\(2008\)](https://standards.itih.ai/catalog/standards/sist/bc18d0f4-8fc0-4608-92eb-9b1d7da555bf/astm-f431-042008)

<https://standards.itih.ai/catalog/standards/sist/bc18d0f4-8fc0-4608-92eb-9b1d7da555bf/astm-f431-042008>



NOTE 1—All dimensions are measured from inside surfaces.

NOTE 2—Interior must be clean, smooth, and free of projections or recesses on walls or attachment openings. Internal bracing should not be used to support plenum chamber walls.

NOTE 3—Attachment port edge to be smooth and well rounded.

NOTE 4—Orifice box must withstand 180 in. of water (336 mm Hg) negative static pressure without significant distortion of walls or joints after chamber is completely fabricated and attachment made.

NOTE 5—All joints and connections must be airtight.

NOTE 6—Tolerances (unless otherwise specified): one-place decimal  $\pm 0.031$  in. (0.080 mm); two-place decimal  $\pm 0.01$  in. (0.25 mm); three-place decimal  $\pm 0.005$  in. (0.13 mm).

NOTE 7—Flange plate and manometer connection to be welded to chamber completely around the sides.

NOTE 8—Plenum chamber minimum material specification 0.187 in. (4.75 mm) thick low carbon steel.

NOTE 9—0.060 in. (1.52 mm) thick rubber seal dimensioned similar to flange plate should be used to seal cleaner and hose connector plates.

NOTE 10—Bore 0.375 in. (9.54 mm) through hole in plenum chamber for manometer connection and 3.000-in. (76.20-mm) diameter hole for orifice plate assembly.

NOTE 11—All mating holes to be concentric to within 0.005 in. (0.13 mm) T.I.R. after assembly.

NOTE 12—A 0.060-in. (1.52-mm) thick rubber seal dimensioned similar to hose connector should be used to seal the hose connector plate to hose connector.

NOTE 13—Six 1/4-20 UNC-2B hex nuts or wing nuts should be used to fasten hose connector to hose connector plate.

NOTE 14—Thirty-six 1/4-20 UNC-2A screws should be used to fasten either the cleaner plate or hose connector flange plate.

NOTE 15—Alternative materials, thicknesses, and construction methods may be used; however, requirements of Notes 2 and 4 and all internal dimensions must be complied with.

NOTE 16—Hose connector internal diameter and length may be changed to accommodate specific hose construction.

NOTE 17—If a water column manometer or electronic pressure gauge without integration is used, it is recommended that the inner diameter of the manometer connection port be 0.020 in. or as small as possible to minimize manometer overshoot and bounce. As an alternative to fabricating this hole diameter, a hypodermic needle with an inner diameter of 0.020 in. may be placed in the line between the plenum box and the manometer.

FIG. 1 (f) Manometer Connection (Material: Steel) (continued)