

INTERNATIONAL  
STANDARD

ISO  
23910

IULTCS/IUP 44

Second edition  
2017-02

---

---

**Leather — Physical and mechanical  
tests — Measurement of stitch tear  
resistance**

*Cuir — Essais physiques et mécaniques — Mesurage de la résistance à  
l'arrachement au point de couture*

**iTeh STANDARD PREVIEW**  
**(standards.iteh.ai)**

[ISO 23910:2017](https://standards.iteh.ai/catalog/standards/sist/acf0b1b0-8a97-40fb-af86-51e4e744f741/iso-23910-2017)

[https://standards.iteh.ai/catalog/standards/sist/acf0b1b0-8a97-40fb-af86-  
51e4e744f741/iso-23910-2017](https://standards.iteh.ai/catalog/standards/sist/acf0b1b0-8a97-40fb-af86-51e4e744f741/iso-23910-2017)



Reference numbers  
ISO 23910:2017(E)  
IULTCS/IUP 44:2017(E)

© ISO 2017

**iTeh STANDARD PREVIEW**  
**(standards.iteh.ai)**

[ISO 23910:2017](https://standards.iteh.ai/catalog/standards/sist/acf0b1b0-8a97-40fb-af86-51e4e744f741/iso-23910-2017)

<https://standards.iteh.ai/catalog/standards/sist/acf0b1b0-8a97-40fb-af86-51e4e744f741/iso-23910-2017>



**COPYRIGHT PROTECTED DOCUMENT**

© ISO 2017, Published in Switzerland

All rights reserved. Unless otherwise specified, no part of this publication may be reproduced or utilized otherwise in any form or by any means, electronic or mechanical, including photocopying, or posting on the internet or an intranet, without prior written permission. Permission can be requested from either ISO at the address below or ISO's member body in the country of the requester.

ISO copyright office  
Ch. de Blandonnet 8 • CP 401  
CH-1214 Vernier, Geneva, Switzerland  
Tel. +41 22 749 01 11  
Fax +41 22 749 09 47  
copyright@iso.org  
www.iso.org

## Contents

	Page
Foreword .....	iv
<b>1 Scope .....</b>	<b>1</b>
<b>2 Normative references .....</b>	<b>1</b>
<b>3 Terms and definitions .....</b>	<b>1</b>
<b>4 Principle .....</b>	<b>1</b>
<b>5 Apparatus .....</b>	<b>1</b>
<b>6 Sampling and sample preparation .....</b>	<b>3</b>
<b>7 Procedure .....</b>	<b>3</b>
<b>8 Test report .....</b>	<b>4</b>

## iTeh STANDARD PREVIEW (standards.iteh.ai)

[ISO 23910:2017](https://standards.iteh.ai/catalog/standards/sist/acf0b1b0-8a97-40fb-af86-51e4e744f741/iso-23910-2017)

<https://standards.iteh.ai/catalog/standards/sist/acf0b1b0-8a97-40fb-af86-51e4e744f741/iso-23910-2017>

## Foreword

ISO (the International Organization for Standardization) is a worldwide federation of national standards bodies (ISO member bodies). The work of preparing International Standards is normally carried out through ISO technical committees. Each member body interested in a subject for which a technical committee has been established has the right to be represented on that committee. International organizations, governmental and non-governmental, in liaison with ISO, also take part in the work. ISO collaborates closely with the International Electrotechnical Commission (IEC) on all matters of electrotechnical standardization.

The procedures used to develop this document and those intended for its further maintenance are described in the ISO/IEC Directives, Part 1. In particular the different approval criteria needed for the different types of ISO documents should be noted. This document was drafted in accordance with the editorial rules of the ISO/IEC Directives, Part 2 (see [www.iso.org/directives](http://www.iso.org/directives)).

Attention is drawn to the possibility that some of the elements of this document may be the subject of patent rights. ISO shall not be held responsible for identifying any or all such patent rights. Details of any patent rights identified during the development of the document will be in the Introduction and/or on the ISO list of patent declarations received (see [www.iso.org/patents](http://www.iso.org/patents)).

Any trade name used in this document is information given for the convenience of users and does not constitute an endorsement.

For an explanation on the meaning of ISO specific terms and expressions related to conformity assessment, as well as information about ISO's adherence to the World Trade Organization (WTO) principles in the Technical Barriers to Trade (TBT) see the following URL: [www.iso.org/iso/foreword.html](http://www.iso.org/iso/foreword.html).

ISO 23910 was prepared by the Physical Test Commission of the International Union of Leather Technologists and Chemists Societies (IUP Commission, IULTCS), in collaboration with the European Committee for Standardization (CEN) Technical Committee CEN/TC 289, *Leather*, the secretariat of which is held by UNI, in accordance with the Agreement on technical cooperation between ISO and CEN (Vienna Agreement).

It is based on IUP 44 originally published in *J. Soc. Leather Trades Chemists*, **84**, p. 409, (2000) and declared an official method of the IULTCS in 2001.

IULTCS, originally formed in 1897, is a world-wide organization of professional leather societies to further the advancement of leather science and technology. IULTCS has three Commissions, which are responsible for establishing international methods for the sampling and testing of leather. ISO recognizes IULTCS as an international standardizing body for the preparation of test methods for leather.

This second edition cancels and replaces the first edition (ISO 23910:2007), which has been technically revised with the following changes:

- [Figure 1](#) to [Figure 3](#) have been modified.

# Leather — Physical and mechanical tests — Measurement of stitch tear resistance

## 1 Scope

This document specifies a method for determining the stitch tear resistance of leather. It can be used on all leathers but is particularly suitable for leathers over 1,2 mm in thickness.

## 2 Normative references

The following documents are referred to in the text in such a way that some or all of their content constitutes requirements of this document. For dated references, only the edition cited applies. For undated references, the latest edition of the referenced document (including any amendments) applies.

ISO 2418, *Leather — Chemical, physical and mechanical and fastness tests — Sampling location*

ISO 2419, *Leather — Physical and mechanical tests — Sample preparation and conditioning*

ISO 2589, *Leather — Physical and mechanical tests — Determination of thickness*

ISO 7500-1:2015, *Metallic materials — Calibration and verification of static uniaxial testing machines — Part 1: Tension/compression testing machines — Calibration and verification of the force-measuring system*

EN 15987, *Leather — Terminology — Key definitions for the leather trade*

## 3 Terms and definitions

For the purposes of this document, the terms and definitions given in EN 15987 apply.

ISO and IEC maintain terminological databases for use in standardization at the following addresses:

- IEC Electropedia: available at <http://www.electropedia.org/>
- ISO Online browsing platform: available at <http://www.iso.org/obp>

## 4 Principle

A leather test piece is pulled against a mandrel of specified shape and dimensions inserted through a slit in the leather and the force required to tear the leather is recorded.

## 5 Apparatus

### 5.1 Tensile testing machine, with:

- a force range appropriate to the specimen under test;
- a means of recording the force as specified by ISO 7500-1:2015, Class 2;
- a uniform speed of separation of the jaws of  $(100 \pm 20)$  mm/min;
- jaws, minimum length 25 mm in the direction of the applied load, designed to apply constant clamping by mechanical or pneumatic means. The texture and design of the inside faces of the jaws shall be such that at the maximum load attained in the test, the specimen does not slip at either jaw.

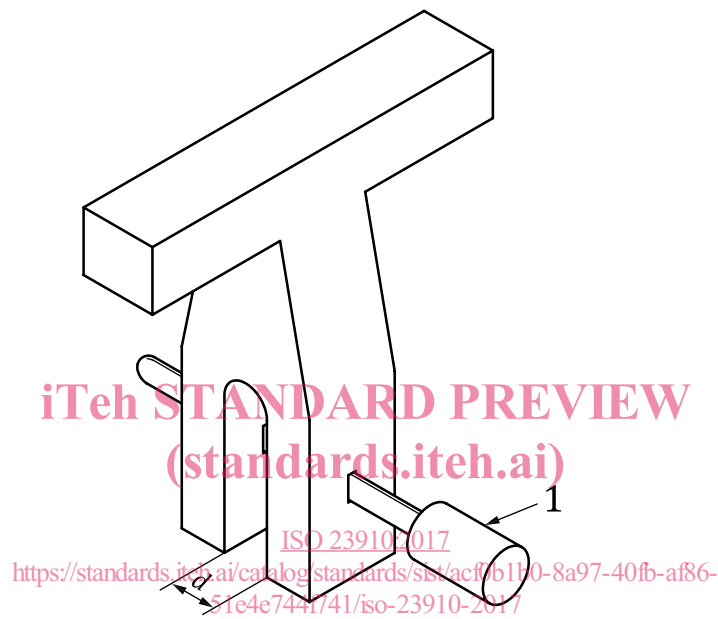
5.1.1 **Metal test piece holder**, of the shape shown in [Figure 1](#).

NOTE [Figure 1](#) shows the test piece holder with the mandrel ([5.1.2](#)) in place.

5.1.2 **Metal mandrel**, of the shape and dimensions shown in [Figure 2](#).

5.2 **Thickness gauge**, as specified in ISO 2589.

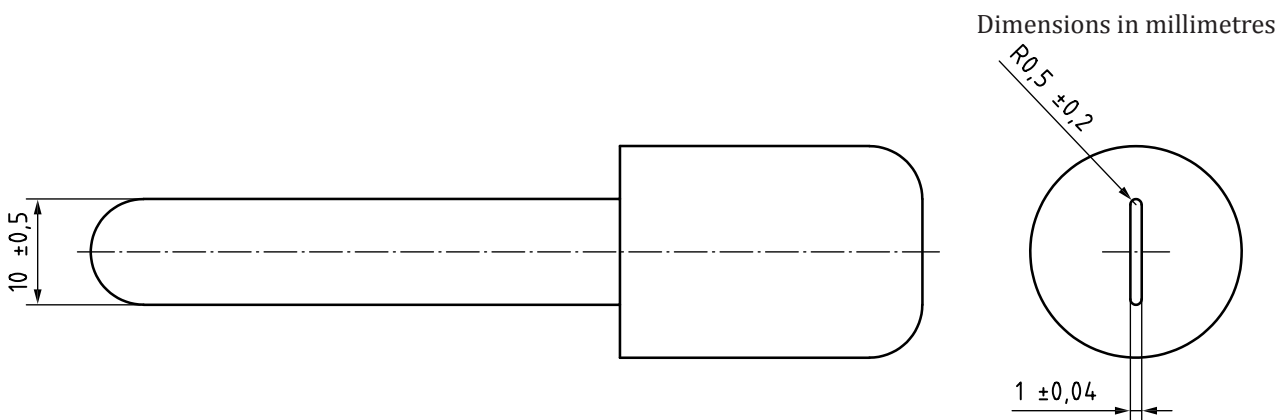
5.3 **Press knife**, conforming to the requirements of ISO 2419, the inner wall of which is a rectangle  $(20 \pm 1) \text{ mm} \times (50 \pm 1) \text{ mm}$  and incorporates a further cutting edge, the inner wall of which will cut a slit in the test piece as shown in [Figure 3](#) in one operation. All parts of the press knife shall lie in the same plane.



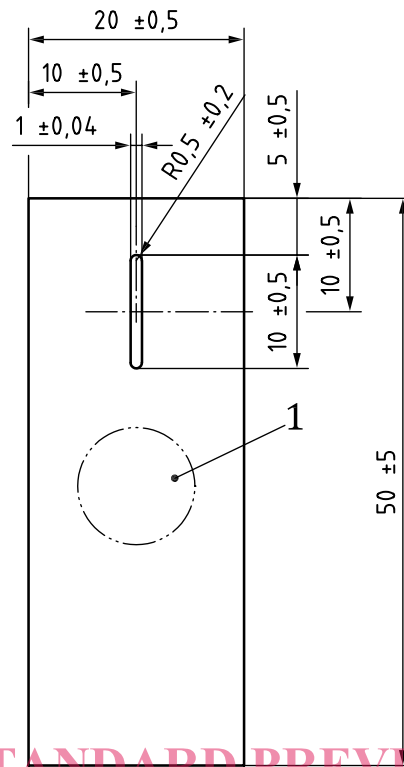
**Key**

- 1 mandrel
- d separation of arms of test piece holder, approximately 5 mm to 7 mm

**Figure 1 — Metal test piece holder shown with mandrel in place**



**Figure 2 — Metal mandrel**



iTeh STANDARD PREVIEW  
(standards.iteh.ai)

**Key**

1 thickness measurement position

NOTE The dimensions associated with the slit are those of the press knife (5.3).

<https://standards.iteh.ai/catalog/standards/sist/acf0b1b0-8a97-40fb-af86-51e4e744f741/iso-23910-2017>

**Figure 3 — Test piece**

## 6 Sampling and sample preparation

**6.1** After conditioning in accordance with ISO 2419, sample in accordance with ISO 2418. Cut six test pieces by applying the press knife (5.3) to the grain surface. Cut three test pieces with the longer edge parallel to the backbone and three with the longer edge perpendicular to the backbone. The slit shall be cut with the press knife. A subsequent cut with a knife or a similar tool is not permitted.

If there is a requirement for more than two hides or skins to be tested in one batch, then only one sample in each direction needs to be taken from each hide or skin, provided that the overall total is not less than three test pieces in each direction.

**6.2** Condition the test pieces in accordance with ISO 2419.

## 7 Procedure

**7.1** Measure the thickness of the test piece in accordance with ISO 2589 at a single point on each of the test pieces. This measurement should be taken at a point approximately 10 mm from the cut end of the slit (see Figure 3).

**7.2** Grip the upper end of the metal test piece holder (5.1.1) in the upper jaw of the tensile testing machine.

7.3 Place the perforated end of the test piece between the arms of the test piece holder and pass the mandrel (5.1.2) through both the holes in the test piece holder and the slit in the test piece.

7.4 Clamp the free end of the test piece in the lower jaw of the tensile testing machine.

7.5 Run the tensile test machine until the test piece is torn apart and record the maximum force, in newtons, recorded during the tearing.

7.6 Repeat 7.1 to 7.5 for other test pieces.

## 8 Test report

The test report shall include the following:

- a) a reference to this document, i.e. ISO 23910:2017;
- b) the thickness of the leather, in millimetres;
- c) the mean tear load in newtons (N) to the nearest 0,1 N for test pieces with the longer edge cut parallel to the backbone;
- d) the mean tear load in newtons (N) to the nearest 0,1 N for the test pieces with the longer edge perpendicular to the backbone;
- e) the average tear load to the nearest 0,1 N [i.e. the arithmetic mean of c) and d)], if required by customer or in specifications;
- f) the standard atmosphere used for conditioning and testing as given in ISO 2419;
- g) any deviations from the method specified in this document;
- h) full details for identification of the sample and any deviation from ISO 2418 with respect to sampling.

**ITeH STANDARD PREVIEW**  
**(standards.iteh.ai)**

ISO 23910:2017  
<https://standards.iteh.ai/catalog/standards/sist/ac10b1b0-8a97-40fb-af86-51e4e744f741/iso-23910-2017>



**iTeh STANDARD PREVIEW**  
**(standards.iteh.ai)**

[ISO 23910:2017](#)

<https://standards.iteh.ai/catalog/standards/sist/acf0b1b0-8a97-40fb-af86-51e4e744f741/iso-23910-2017>