
**Liquid pumps and pump units — Noise
test code — Grades 2 and 3 of accuracy**

*Pompes et groupes motopompes pour liquides — Code d'essai
acoustique — Classes de précision 2 et 3*

iTeh STANDARD PREVIEW
(standards.iteh.ai)

[ISO 20361:2015](https://standards.iteh.ai/catalog/standards/sist/81087ee8-0dc9-4bd4-848f-10c58c1b6328/iso-20361-2015)

<https://standards.iteh.ai/catalog/standards/sist/81087ee8-0dc9-4bd4-848f-10c58c1b6328/iso-20361-2015>



iTeh STANDARD PREVIEW
(standards.iteh.ai)

ISO 20361:2015

<https://standards.iteh.ai/catalog/standards/sist/81087ee8-0dc9-4bd4-848f-10c58c1b6328/iso-20361-2015>



COPYRIGHT PROTECTED DOCUMENT

© ISO 2015, Published in Switzerland

All rights reserved. Unless otherwise specified, no part of this publication may be reproduced or utilized otherwise in any form or by any means, electronic or mechanical, including photocopying, or posting on the internet or an intranet, without prior written permission. Permission can be requested from either ISO at the address below or ISO's member body in the country of the requester.

ISO copyright office
Ch. de Blandonnet 8 • CP 401
CH-1214 Vernier, Geneva, Switzerland
Tel. +41 22 749 01 11
Fax +41 22 749 09 47
copyright@iso.org
www.iso.org

Contents

	Page
Foreword	iv
Introduction	v
1 Scope	1
2 Normative references	1
3 Terms and definitions	2
4 Pump family and pump configuration	2
5 Sound power level determination	2
5.1 General.....	2
5.2 Specific considerations for reference box, measurement surface, position of microphones, and intensity probe.....	4
5.2.1 General.....	4
5.2.2 Reference box.....	4
5.2.3 Measurement surface and microphone positions.....	6
5.2.4 Position of microphones and intensity probes.....	10
6 Emission sound pressure level determination	10
6.1 Basic standard to be used.....	10
6.2 Relevant work station.....	10
6.3 Measurement uncertainty.....	10
7 Installation and mounting conditions	11
7.1 General.....	11
7.2 Noise test situation.....	11
7.2.1 General.....	11
7.2.2 Test on site.....	11
7.2.3 Test on shop test stand.....	11
7.2.4 Test on a specific facility intended for acoustic measurement.....	11
8 Operating conditions during noise measurement	12
8.1 General.....	12
8.2 Pumped liquid.....	12
8.3 NPSHA value.....	12
9 Information to be recorded	12
9.1 General.....	12
9.2 Test report.....	12
10 Declaration and verification of noise emission values	13
Annex A (normative) Pump alone — Measurement surface	14
Annex B (normative) Pump units — Microphone positions for sound pressure level measurement on the measurement surface for different pump types and sizes	15
Bibliography	22

Foreword

ISO (the International Organization for Standardization) is a worldwide federation of national standards bodies (ISO member bodies). The work of preparing International Standards is normally carried out through ISO technical committees. Each member body interested in a subject for which a technical committee has been established has the right to be represented on that committee. International organizations, governmental and non-governmental, in liaison with ISO, also take part in the work. ISO collaborates closely with the International Electrotechnical Commission (IEC) on all matters of electrotechnical standardization.

The procedures used to develop this document and those intended for its further maintenance are described in the ISO/IEC Directives, Part 1. In particular the different approval criteria needed for the different types of ISO documents should be noted. This document was drafted in accordance with the editorial rules of the ISO/IEC Directives, Part 2 (see www.iso.org/directives).

Attention is drawn to the possibility that some of the elements of this document may be the subject of patent rights. ISO shall not be held responsible for identifying any or all such patent rights. Details of any patent rights identified during the development of the document will be in the Introduction and/or on the ISO list of patent declarations received (see www.iso.org/patents).

Any trade name used in this document is information given for the convenience of users and does not constitute an endorsement.

For an explanation on the meaning of ISO specific terms and expressions related to conformity assessment, as well as information about ISO's adherence to the WTO principles in the Technical Barriers to Trade (TBT) see the following URL: [Foreword - Supplementary information](#)

The committee responsible for this document is ISO/TC 115, *Pumps*.

This second edition cancels and replaces the first edition (ISO 20361:2007), which has been technically revised.

<https://standards.iteh.ai/catalog/standards/sist/81087ee8-0dc9-4bd4-848f-10c58c1b6328/iso-20361-2015>

Introduction

The noise emitted by a pump unit can be radiated by the casing of the pump, the driving system (e.g. motor, gear box, coupling), the piping system, and all the connected structures.

On site, the perceived noise can be significantly increased by reverberation effects or by the radiation of extraneous sources.

Depending on the type of pump it can be useful to know the following:

- a) the noise of the pumping system (including piping);
- b) the noise of the pump unit, including the driver and the transmission elements but excluding the noise of the piping system;
- c) the noise emitted by the pump alone, excluding the noise from the driver, transmission elements, and the piping;
- d) the noise emitted by each of those elements in respect to a given requirement or in view of an efficient sound proofing of the installation.

This International Standard describes methods for the determination of the noise emitted by a pump unit [case b)] or a pump alone [case c)]. Noise emission is expressed in terms of the sound power level of the machine and the emission sound pressure level at the relevant work station (see 6.2).

This International Standard is intended to enable the manufacturer to

- show the effectiveness of noise reduction, and
- declare the noise emission levels.

This International Standard is a type C standard as stated in ISO 12100-1 and ISO 12100-2.

When provisions of this type C standard are different from those which are stated in A or B standards, the provisions of this type C standard take precedence.

The machinery concerned and the extent to which noise is covered are indicated in the scope of this International Standard.

iTeh STANDARD PREVIEW
(standards.iteh.ai)

ISO 20361:2015

<https://standards.iteh.ai/catalog/standards/sist/81087ee8-0dc9-4bd4-848f-10c58c1b6328/iso-20361-2015>

Liquid pumps and pump units — Noise test code — Grades 2 and 3 of accuracy

1 Scope

This International Standard specifies all the information necessary to carry out efficiently and under standardized conditions the determination, declaration, and verification of the airborne noise emission of liquid pumps or pump units (see 4.1). It specifies the noise measurement methods and the operating and mounting conditions that shall be used for the test.

Noise emission characteristics include emission sound pressure levels at specified positions and the sound power level. The determination of these quantities is necessary for

- declaring the noise emission values, and
- purpose of noise control at source at the design stage.

The determination of these quantities is also necessary for comparing the noise emitted by liquid pumps on the market.

The use of this International Standard ensures the reproducibility of the determination of the airborne noise-emission characteristics within specified limits determined by the grade of accuracy of the basic airborne noise measurement method used. Noise measurement methods according to this International Standard are engineering methods (grade 2) and survey methods (grade 3).

This International Standard does not deal with the characterization of the structure-borne sound and liquid-borne noise generated by liquid pumps.

NOTE This International Standard is intended to complement EN 809.

2 Normative references

The following documents, in whole or in part, are normatively referenced in this document and are indispensable for its application. For dated references, only the edition cited applies. For undated references, the latest edition of the referenced document (including any amendments) applies.

ISO 3743-1¹⁾, *Acoustics — Determination of sound power levels and sound energy levels of noise sources using sound pressure — Engineering methods for small movable sources in reverberant fields — Part 1: Comparison method for a hard-walled test room*

ISO 3743-2, *Acoustics — Determination of sound power levels of noise sources using sound pressure — Engineering methods for small, movable sources in reverberant fields — Part 2: Methods for special reverberation test rooms*

ISO 3744²⁾, *Acoustics — Determination of sound power levels and sound energy levels of noise sources using sound pressure — Engineering methods for an essentially free field over a reflecting plane*

ISO 3746³⁾, *Acoustics — Determination of sound power levels and sound energy levels of noise sources using sound pressure — Survey method using an enveloping measurement surface over a reflecting plane*

ISO 4871:1996, *Acoustics — Declaration and verification of noise emission values of machinery and equipment*

- 1) To be published. (Revision of ISO 3743-1:1994)
- 2) To be published. (Revision of ISO 3744:1994)
- 3) To be published. (Revision of ISO 3746:1995)

ISO 9614-1, *Acoustics — Determination of sound power levels of noise sources using sound intensity — Part 1: Measurement at discrete points*

ISO 9614-2, *Acoustics — Determination of sound power levels of noise sources using sound intensity — Part 2: Measurement by scanning*

ISO 11203, *Acoustics — Noise emitted by machinery and equipment — Determination of emission sound pressure levels at a work station and at other specified positions from the sound power level*

ISO 17769 (all parts), *Liquid pumps and installation — General terms — Definitions, quantities, letter symbols and units*

ISO/TR 7849, *Acoustics — Estimation of airborne noise emitted by machinery using vibration measurement*

3 Terms and definitions

For the purposes of this document, the definitions given in ISO 17769 (all parts) and the following apply.

3.1

pump

equipment that is defined as being terminated by its inlet and outlet branches as well as in general its shaft ends

3.2

pump unit

equipment that is comprised of the pump (3.1) and its driver (e.g. electric motor, steam turbine) including transmission elements (e.g. coupling, gear), baseplates, and any auxiliary equipment supplied with the pump

iTeh STANDARD PREVIEW
(standards.iteh.ai)

4 Pump family and pump configuration

ISO 20361:2015

<https://standards.iteh.ai/catalog/standards/sist/81087ee8-0dc9-4bd4-848f-268000000000/iso-20361-2015>

4.1 Pumps covered by this International Standard comprise of liquid pumps of the rotodynamic and positive displacement, rotary, and reciprocating types.

4.2 This International Standard provides two possibilities of measurement, either pump alone (see [Table 1](#)) or pump units (see [Table 2](#)). In these two cases, the pumps shall be installed

- on site (see [7.2.2](#)), or
- on shop test stand (see [7.2.3](#)), or
- in a specific facility intended for acoustic measurement (see [7.2.4](#)).

4.3 Safety guards, e.g. coupling guards, insulation hoods etc., if any, shall be installed during noise-emission determination.

5 Sound power level determination

5.1 General

One of the following grade 2 of accuracy methods for determining the sound power level shall be used:

- ISO 3743-1 or ISO 3743-2;

NOTE 1 ISO 3743-1 is based upon a hard-walled room and low background noise. This International Standard gives specifications to sound pressure level measurement in octave bands, in order to calculate the sound power level.

NOTE 2 ISO 3743-2 is based upon special reverberation test room. This International Standard gives specifications to A-weighted sound pressure level measurement in order to calculate the sound power level.

— ISO 3744;

NOTE 3 ISO 3744 is based upon a non-reverberant environment and low background noise. This International Standard specifies a method to calculate the sound power level from the measured A-weighted sound pressure levels or sound pressure levels in octave or third octave bands.

— ISO 9614-1 or ISO 9614-2.

If it has been shown that the applicability requirements of these grade 2 standards cannot be attained, e.g. too much background noise, then one of the following grade 3 methods shall be used:

— ISO 3746;

NOTE 4 ISO 3746 is less demanding, it only gives specifications to the measurement of A-weighted sound pressure levels and provides A-weighted sound power levels with grade 3 of accuracy.

— ISO 9614-1 or ISO 9614-2;

NOTE 5 ISO 9614 (all parts) can be used in all environments, including reverberation and extraneous noise sources to a large extent. This International Standard gives specifications to sound intensity and sound pressure measurement. Depending on the level of the reverberation and extraneous noise, it provides the sound power level either as A-weighted overall level or in octave or third-octave band. For grade 3 measurements, only the overall A-weighted sound power level is available.

NOTE 6 ISO 9614-1 requires measurements of sound intensity and simultaneously sound pressure level (at discrete points). In this case, the number of points is generally higher than the number of points used for the standards based on sound pressure measurements.

NOTE 7 ISO 9614-2 requires measurement of sound intensity and simultaneously sound pressure level by scanning. This can be made on partial or global surface depending on the configuration of the machine. The method generally reduces the measurement time.

— ISO/TR 7849.

<https://standards.iteh.ai/catalog/standards/sist/81087ee8-0dc9-4bd4-848f-5581337c-b015/iso-20361-2015>

NOTE 8 ISO/TR 7849 is a Technical Report that can be used only when the prescriptions of the other methods are not fulfilled. This method is based upon measurement of vibration velocity of the relevant parts of the pump or pump unit. It provides an estimation of the A-weighted sound power level or sound power level in octave or third octave bands.

For selection of the basic International Standard for determination of the sound power level of a pump, [Table 1](#) for pumps (pump alone) and [Table 2](#) for pump units shall be used.

The reflecting plane shall be either a hard plane or a surface of water.

The International Standard, indicated in bold letters in [Tables 1](#) and [2](#), describes the preferred method and shall be used where practical. If it is not practical, one of the other noted basic International Standards shall be used.

Table 1 — Pumps (pump alone) — Selection of International Standards for determination of sound power level

Test arrangement	Grade	Pump power input <i>P</i> kW			
		0,5 < <i>P</i> ≤ 15	15 < <i>P</i> ≤ 75	75 < <i>P</i> ≤ 300	<i>P</i> > 300
Specific facility ^a	2	ISO 3744 ISO 3743-2 ISO 9614 ^b	ISO 9614^b ISO 3744 ISO 3743-2	ISO 9614^b ISO 3744	ISO 9614^b ISO 3744
^a A facility can be qualified as specifically designed for noise measurements if it yields grade 2 measurements. ^b ISO 9614 means ISO 9614-1 or ISO 9614-2.					

Table 1 (continued)

Test arrangement	Grade	Pump power input <i>P</i> kW			
		0,5 < <i>P</i> ≤ 15	15 < <i>P</i> ≤ 75	75 < <i>P</i> ≤ 300	<i>P</i> > 300
Shop test stand	2	ISO 9614 ^b			impractical
	3	ISO 9614 ^b ISO 3746		ISO 9614 ^b	
On site	2	ISO 9614 ^b			impractical
	3	ISO 9614 ^b ISO 3746		ISO 9614 ^b ISO/TR 7849	

^a A facility can be qualified as specifically designed for noise measurements if it yields grade 2 measurements.
^b ISO 9614 means ISO 9614-1 or ISO 9614-2.

Table 2 — Pump unit — Selection of standards for determination of sound power level

Test arrangement	Grade	Pump power input <i>P</i> kW			
		0,5 < <i>P</i> ≤ 15	15 < <i>P</i> ≤ 75	75 < <i>P</i> ≤ 300	<i>P</i> > 300
Specific facility ^a	2	ISO 3744 ISO 3743-2 ISO 9614 ^b	ISO 3744 ISO 9614 ^b	ISO 3744 ISO 9614 ^b	ISO 9614 ^b ISO 3744
Shop test stand	2	ISO 3744 ISO 3743-1 ^c ISO 9614 ^b	ISO 3744 ISO 9614 ^b	ISO 9614 ^b ISO 3744	ISO 9614 ^b
	3	ISO 3746 ISO 9614 ^b	ISO 9614 ^b	ISO 9614 ^b ISO 3746	ISO 9614 ^b ISO 3746
On site	2	ISO 9614 ^b ISO 3744			ISO 9614 ^b
	3	ISO 3746 ISO 9614 ^b		ISO 9614 ^b ISO 3746	

^a A facility can be qualified as specifically designed for noise measurements if it yields grade 2 measurements.
^b ISO 9614 means ISO 9614-1 or ISO 9614-2.
^c ISO 3743-1 can be used for pump units in a shop test stand at the condition that pipings are properly lagged.

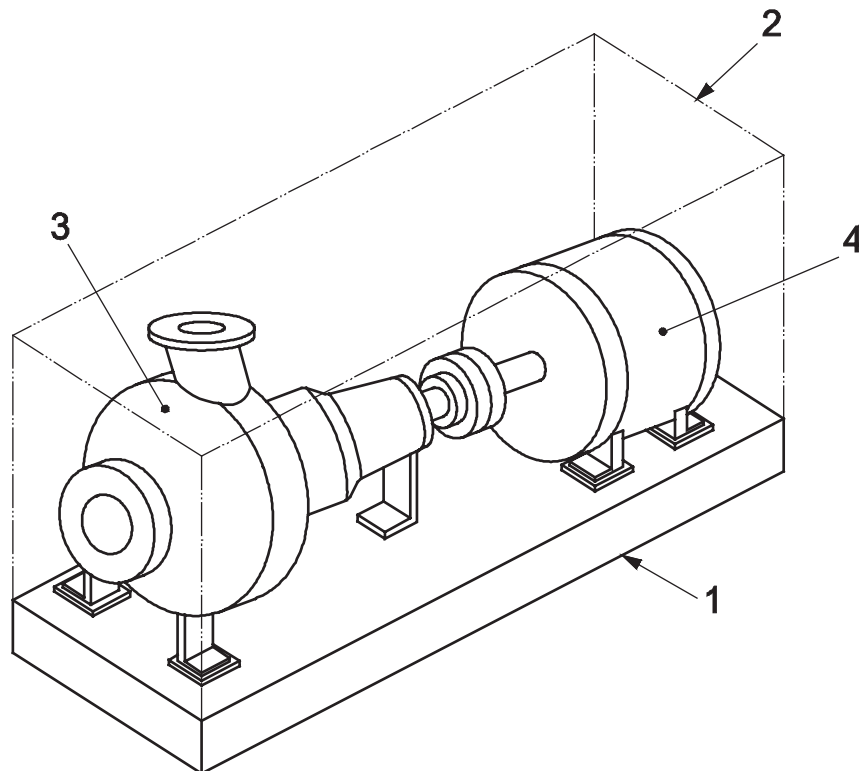
5.2 Specific considerations for reference box, measurement surface, position of microphones, and intensity probe

5.2.1 General

When ISO 3744, ISO 3746, or ISO 9614 is used, 5.2.2 to 5.2.4 apply.

5.2.2 Reference box

The reference box is a hypothetical surface, the smallest simple volume (parallelepiped, box, cylinder, etc.) containing the pump unit or pump and the flanges of the machine but excluding the pipings for the pump unit and pipings, transmission elements, and driver for pumps (pump alone) and small individual components of the source that do not contribute to the sound radiation. For ISO 3744 and ISO 3746, the reference box is a parallelepiped. The box encloses the source and terminates on the reflecting plane (hard ground or water). For examples of reference boxes see Figures 1 and 2.



Key

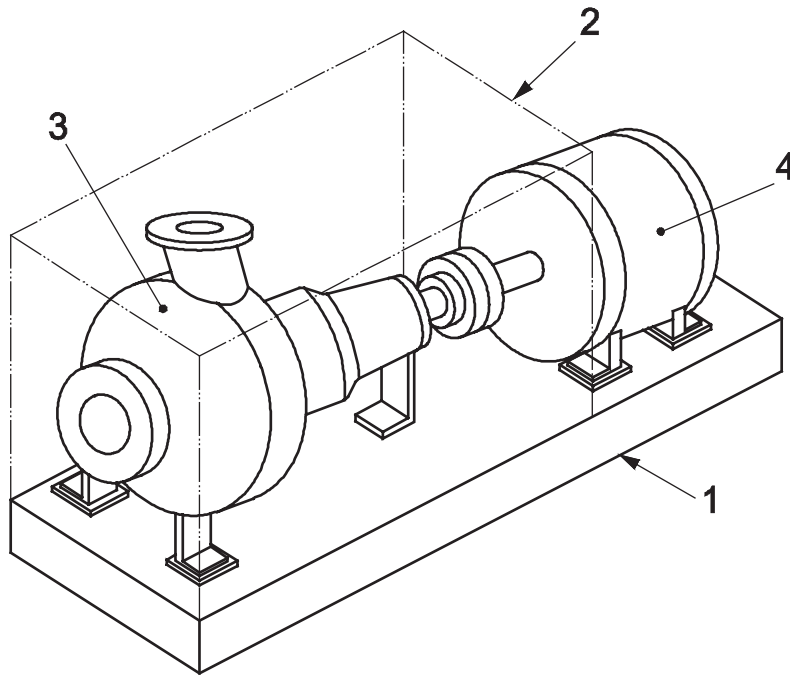
- 1 reflecting plane
- 2 reference box
- 3 pump
- 4 driver

iTeh STANDARD PREVIEW
(standards.iteh.ai)

[ISO 20361:2015](https://standards.iteh.ai/catalog/standards/sist/81087ee8-0dc9-4bd4-848f-10c58c1b6328/iso-20361-2015)

<https://standards.iteh.ai/catalog/standards/sist/81087ee8-0dc9-4bd4-848f-10c58c1b6328/iso-20361-2015>

Figure 1 — Reference box for pump unit (example)



- Key**
- 1 reflecting plane
 - 2 reference box
 - 3 pump
 - 4 driver

iTeh STANDARD PREVIEW
(standards.iteh.ai)

ISO 20361:2015
Figure 2 — Reference box for pump (alone) (example)
<https://standards.iteh.ai/catalog/standards/sis/81087ee8-0dc9-4bd4-848f-10c58c1b6328/iso-20361-2015>

5.2.3 Measurement surface and microphone positions

The measurement surface is a surface enveloping the reference box at a given distance to the box.

The distance between the measurement surface and the reference box is called the measurement distance. It depends on the basic method used.

- For ISO 3744 and ISO 3746, both of which are based on sound pressure level measurements, the distance shall be chosen equal to 1 m.

Where the background noise requirements of these International Standards are not met, a distance smaller than 1 m but larger than 0,25 m can be chosen.

- For ISO 9614-1 and ISO 9614-2, both of which are based on a sound intensity measurement, the distance shall be
 - $d_1 \geq 0,5$ m for ISO 9614-1;
 - $0,2 \text{ m} \leq d_2 \leq 0,5$ m for ISO 9614-2.

For the measurement surface, see [Figures 3 to 6](#) and [Annex A](#).