
INTERNATIONAL STANDARD 1992 / VIII

INTERNATIONAL ORGANIZATION FOR STANDARDIZATION • МЕЖДУНАРОДНАЯ ОРГАНИЗАЦИЯ ПО СТАНДАРТИЗАЦИИ • ORGANISATION INTERNATIONALE DE NORMALISATION

Commercial refrigerated cabinets — Test methods — Part VIII : Test for accidental mechanical contact

*Meubles frigorifiques commerciaux — Méthodes d'essai —
Partie VIII : Essai de contact mécanique accidentel*

iTeh STANDARD PREVIEW

First edition — 1978-11-15

(standards.iteh.ai)

ISO 1992-8:1978

<https://standards.iteh.ai/catalog/standards/sist/42591812-ea36-4bf9-9cf2-b82247759589/iso-1992-8-1978>

UDC 621.565.92 : 659.157 : 620.1

Ref. No. ISO 1992/VIII-1978 (E)

Descriptors : refrigerators, tests, accident prevention, safety, test finger.

Price based on 2 pages

Preisgr. B

FOREWORD

ISO (the International Organization for Standardization) is a worldwide federation of national standards institutes (ISO member bodies). The work of developing International Standards is carried out through ISO technical committees. Every member body interested in a subject for which a technical committee has been set up has the right to be represented on that committee. International organizations, governmental and non-governmental, in liaison with ISO, also take part in the work.

Draft International Standards adopted by the technical committees are circulated to the member bodies for approval before their acceptance as International Standards by the ISO Council.

International Standard ISO 1992/VIII was developed by Technical Committee ISO/TC 86, *Refrigeration*, and was circulated to the member bodies in June 1977.

It has been approved by the member bodies of the following countries :

Australia	Israel	Turkey
Brazil	Italy	United Kingdom
Chile	New Zealand	U.S.A.
Czechoslovakia	Poland	U.S.S.R.
Finland	South Africa, Rep. of	Yugoslavia
Hungary	Spain	
Ireland	Switzerland	

The member bodies of the following countries expressed disapproval of the document on technical grounds :

France
Germany, F.R.

Commercial refrigerated cabinets — Test methods — Part VIII : Test for accidental mechanical contact

1 SCOPE AND FIELD OF APPLICATION

This International Standard specifies the use of IEC standard test fingers in testing for protection against mechanical hazards in normal conditions of use due to contact through openings in commercial refrigerated cabinets intended for the sale and/or display of food products. For tests in respect of accidental electrical contact reference should be made to appropriate IEC tests.

2 TEST FINGERS

The test fingers shall be as specified in clause 8 of IEC publications 335-1 and 335-2¹⁾ comprising, as shown in the figure of this International Standard :

- a) a jointed test finger;
- b) a straight unjointed test finger of the same dimensions.

3 TEST PROCEDURE

3.1 The test shall be made with the cabinet disconnected from the electrical supply and with moving parts (for example, fan blades) rotated or moved so that they are as close as possible to the test finger.

3.2 The test shall be made on the cabinet after the removal of all parts which can be removed without the use

of tools. However, the panels within the storage volume, for example those which cover the air ducts and the fan(s), are to be left in position even if they are able to be removed without the use of tools.

3.3 The test fingers shall be applied with the least force necessary, in every possible position except that a cabinet normally used on the floor and having a mass exceeding 40 kg shall not be tilted.

3.4 Apertures preventing the entry of the jointed finger shall be further tested by means of the unjointed finger, which shall be applied with a force of 30 N; if this finger enters, the test with the jointed finger shall be repeated, the jointed finger being pushed through the aperture if necessary.

4 TEST REPORT

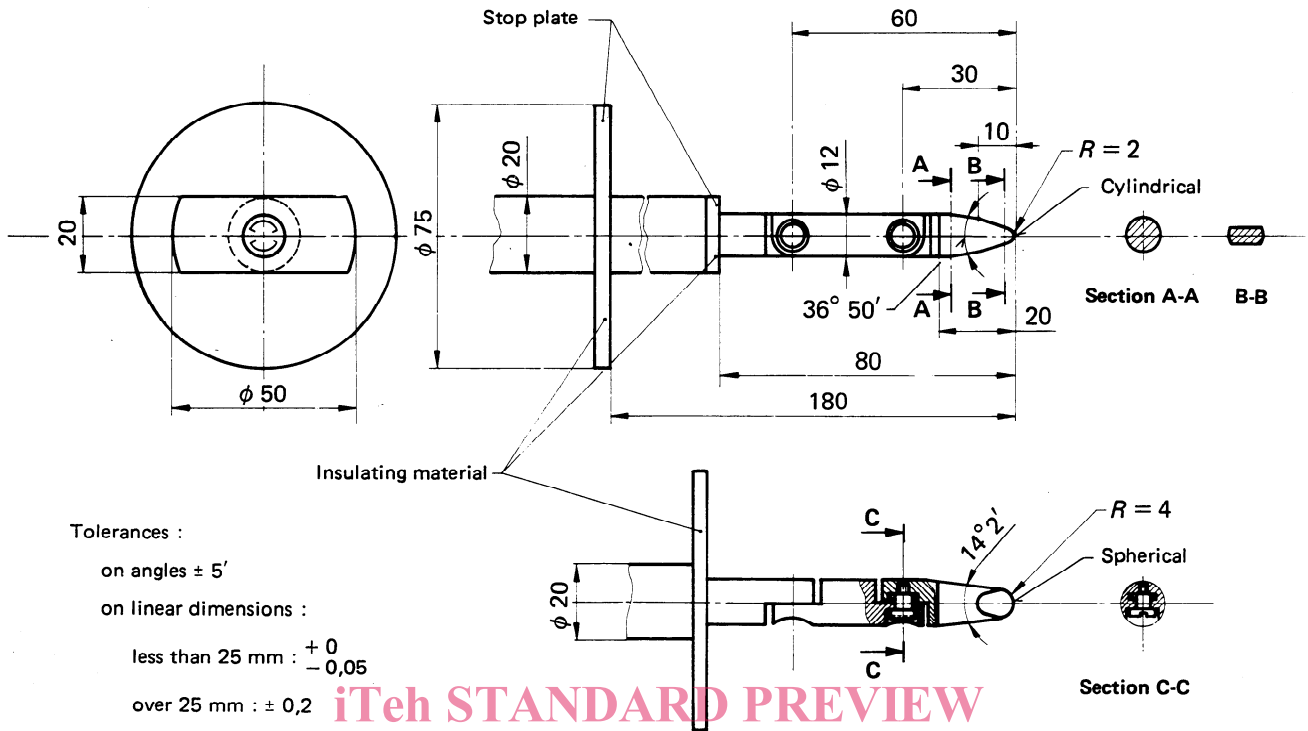
The test report shall include the following information :

- a) if the jointed finger enters or not into contact with moving parts;
- b) if the unjointed finger enters or not into any aperture;
- c) if the jointed finger afterwards enters or not into contact with moving parts.

1) IEC Publication 335-1, *Safety of household and similar appliances — Part 1 : General requirements.*

IEC Publication 335-2, *Safety of household and similar appliances — Part 2 : Particular requirements for refrigerators and food freezers.*

Dimensions in millimetres



Tolerances :

on angles $\pm 5'$

on linear dimensions :

less than 25 mm : $\begin{matrix} +0 \\ -0,05 \end{matrix}$

over 25 mm : $\pm 0,2$

iTeh STANDARD PREVIEW
(standards.iteh.ai)

ISO 1992-8-1978
FIGURE — Standard test finger

<https://standards.iteh.ai/catalog/standards/sist/42591812-ea36-4bf9-9cf2-b82247759589/iso-1992-8-1978>