
Zunanji zrak - Določevanje spektra velikosti delcev atmosferskih aerosolov s spektrometrom na osnovi mobilnosti (MPSS)

Ambient air - Determination of the particle size spectra of atmospheric aerosol using a Mobility Particle Size Spectrometer (MPSS)

Außenluft - Bestimmung des Partikelgrößenspektrums des atmosphärischen Aerosols mit einem Partikelgrößenmobilitätsspektrometer (MPSS)

Ta slovenski standard je istoveten z: FprCEN/TS 17434

ICS:

13.040.20 Kakovost okoljskega zraka Ambient atmospheres

kSIST-TS FprCEN/TS 17434:2019**en,de**

iTeh STANDARD PREVIEW
(standards.iteh.ai)

Full standard:
<https://standards.iteh.ai/catalog/standards/sist/49e2b4b1-28f9-4922-951f-776b5ebd5845/sist-ts-cen-ts-17434-2020>

TECHNICAL SPECIFICATION
SPÉCIFICATION TECHNIQUE
TECHNISCHE SPEZIFIKATION

FINAL DRAFT
FprCEN/TS 17434

August 2019

ICS

English Version

**Ambient air - Determination of the particle size spectra of
atmospheric aerosol using a Mobility Particle Size
Spectrometer (MPSS)**

Außenluft - Bestimmung des Partikelgrößenspektrums
des atmosphärischen Aerosols mit einem
Partikelgrößenmobilitätsspektrometer (MPSS)

This draft Technical Specification is submitted to CEN members for Vote. It has been drawn up by the Technical Committee CEN/TC 264.

CEN members are the national standards bodies of Austria, Belgium, Bulgaria, Croatia, Cyprus, Czech Republic, Denmark, Estonia, Finland, France, Germany, Greece, Hungary, Iceland, Ireland, Italy, Latvia, Lithuania, Luxembourg, Malta, Netherlands, Norway, Poland, Portugal, Republic of North Macedonia, Romania, Serbia, Slovakia, Slovenia, Spain, Sweden, Switzerland, Turkey and United Kingdom.

Recipients of this draft are invited to submit, with their comments, notification of any relevant patent rights of which they are aware and to provide supporting documentation.

Warning : This document is not a Technical Specification. It is distributed for review and comments. It is subject to change without notice and shall not be referred to as a Technical Specification.



EUROPEAN COMMITTEE FOR STANDARDIZATION
COMITÉ EUROPÉEN DE NORMALISATION
EUROPÄISCHES KOMITEE FÜR NORMUNG

CEN-CENELEC Management Centre: Rue de la Science 23, B-1040 Brussels

Contents

	Page
European foreword.....	5
Introduction	6
1 Scope	7
2 Normative references	7
3 Terms and definitions	7
4 Symbols and abbreviations	8
5 Atmospheric aerosol.....	8
6 Description of the method	10
6.1 Sampling and conditioning.....	10
6.1.1 Sampling.....	10
6.1.2 Aerosol Drying	11
6.2 Determination of particle number size distribution with an MPSS.....	12
6.2.1 Physical principle.....	12
6.2.2 Particle charging	12
6.2.3 Mobility analysis.....	12
6.2.4 Data inversion	15
6.2.5 Correction for particle losses due to diffusion	15
6.2.6 Correction for CPC detection efficiency.....	16
7 MPSS performance criteria and test procedures.....	16
7.1 MPSS design and performance criteria	16
7.2 Test procedures for MPSS performance criteria	18
7.2.1 Actual aerosol flow rate	18
7.2.2 Particle size range.....	18
7.2.3 Particle size calibration accuracy	18
7.2.4 Accuracy of integrated particle number concentration.....	18
7.2.5 False background number concentration.....	19
7.2.6 Flow condition.....	19
7.2.7 Accuracy of the particle number size distribution.....	19
8 Performance criteria and test procedures for the sampling and conditioning system.....	19
8.1 General requirements	19
8.2 Performance characteristics and criteria	20
8.3 Particle losses due to diffusion	20
8.4 Relative humidity.....	20
8.5 Dilution factor	20
8.6 Primary sampling flow.....	21
9 Measurement procedure	21
9.1 Measurement planning.....	21
9.2 Environmental operating conditions.....	21
9.3 Initial installation	21
9.4 Initial checks on site.....	22
9.5 Data reporting.....	22
10 Quality control, quality assurance and measurement uncertainty	23
10.1 General.....	23

10.2	General operating procedures.....	23
10.3	Frequency of calibrations, checks and maintenance.....	24
10.3.1	General	24
10.3.2	Aerosol flow rate calibration (MPSS)	25
10.3.3	Aerosol flow rate calibration (CPC)	25
10.3.4	Humidity, temperature and pressure sensors calibration.....	25
10.3.5	CPC calibration	25
10.3.6	Delay time check.....	25
10.3.7	Mean false background concentration check (CPC).....	25
10.3.8	Leak check.....	25
10.3.9	Sampling system maintenance	25
10.3.10	Humidity sensor calibration	26
10.3.11	Dilution factor calibration (where applicable)	26
10.3.12	Leak check.....	26
10.4	Measurement uncertainty	26
	Annex A (normative) Bipolar charge distribution.....	28
	Annex B (normative) Calculation of particle losses due to diffusion.....	30
B.1	General equations and constants.....	30
B.2	Particle losses due to diffusion in straight tubes of circular cross section.....	31
B.3	Particle losses due to diffusion in a MPSS.....	31
	Annex C (informative) Example of the calculation of particle losses due to diffusion in a sampling system.....	33
C.1	Description of the sampling system.....	33
C.2	Air properties and diffusion coefficient.....	34
C.3	Losses in the primary sampling tube	34
C.4	Particle losses due to diffusion in the secondary sampling tube and the MPSS	35
C.5	Overall sampling losses.....	36
	Annex D (informative) Example of an MPSS design	37
	Annex E (informative) Dilution system	39
E.1	Background.....	39
E.2	Criteria for dilution systems.....	39
E.3	Design example of a dilution system	39
E.4	Operating parameters of a dilution system	40
E.5	Example for the calculation of the uncertainty of the dilution factor	42
	Annex F (informative) Laminar flow	44
	Annex G (informative) Data reporting.....	45
G.1	Motivation	45
G.2	Level 0 (annotated raw data)	46
G.3	Level 1 (data processed to final physical property, potential corrections applied, original temporal resolution)	46
G.4	Level 2 (hourly averages, including measures of variability)	46

FprCEN/TS 17434:2019 (E)

G.5	Implementation in ACTRIS / EMEP / GAW	46
G.6	Data and Metadata Included in Level 0	47
G.6.1	Data	47
G.6.2	Metadata.....	48
G.6.3	Flags	50
G.7	Data and Metadata Included in Level 1	50
G.7.1	Data	50
G.7.2	Metadata.....	50
G.7.3	Flags	53
G.8	Data and Metadata Included in Level 2	53
G.8.1	Data	53
G.8.2	Metadata.....	53
G.8.3	Flags	56
Annex H (informative) Atmospheric aerosols in Europe.....		57
H.1	General.....	57
H.2	Mean concentrations	57
H.3	Examples of measurements.....	58
Bibliography.....		61

iTeh STANDARD PREVIEW
 (standards.iteh.ai)
 Full standard:
<https://standards.iteh.ai/catalog/standards/sist/49e2b4d1-2819-4922-951f-776b5ebd5845/sist-ts-cen-ts-17434-2019>

European foreword

This document (FprCEN/TS 17434:2019) has been prepared by Technical Committee CEN/TC 264 “Air quality”, the secretariat of which is held by DIN.

This document is currently submitted to the Formal Vote.

iTeh STANDARD PREVIEW
(standards.iteh.ai)
Full standard:
<https://standards.iteh.ai/catalog/standards/sist/49e2b4b1-28f9-4922-951f-776b5ebd5845/sist-ts-cen-ts-17434-2020>

FprCEN/TS 17434:2019 (E)

Introduction

There is a growing awareness of the significance of aerosol particles with diameters of $D < 1 \mu\text{m}$ for human health as well as for their climatic impact. To assess air quality, it appears necessary to supplement gravimetrically determined mass concentrations such as PM_{10} or $\text{PM}_{2.5}$ with a measurement of the particle number concentration. Since ultrafine particles with diameters of $D < 0,1 \mu\text{m}$ make an almost insignificant contribution to the mass concentration of atmospheric aerosol particles, they can best be detected with counting measuring methods of sufficient sensitivity.

As particle measurement instrumentation allows determining either the particle number concentration or the particle number size distribution two Technical Specifications have been established:

- one dealing with the determination of the single parameter number concentration (a measure of “total” number concentration (CEN/TS 16976)),
- one dealing with the determination of number concentrations within a limited number of size ranges (this document).

Clauses 5 and 6 contain general information about the method and the expected properties of the aerosol particles to be measured.

Clause 7 sets out the performance criteria for MPSSs. Specifically, these are the relevant performance characteristics of MPSS instruments (without any sampling system), the respective criteria that shall be met, and a description of how the tests shall be carried out. In general these tests are expected to be carried out by test houses or MPSS manufacturers rather than users, and could form the basis for type approval of MPSSs in future.

Clause 8 sets out the performance criteria and test procedures for the sampling and conditioning system. These may be applied by manufacturers of sampling systems, test houses or users (network operators).

Clause 9 sets out requirements for the installation, initial checks and calibrations, and operation of an MPSS and sampling system at a monitoring site, including routine maintenance, data processing (including use of QA/QC data) and reporting. In general these will be the responsibility of users (network operators), though calibrations requiring test aerosols shall only be carried out by suitably qualified laboratories.

Clause 10 sets out Quality Assurance and Quality Control procedures, i.e. the ongoing checks and calibrations that are required on the MPSS and sampling system during operation at a monitoring site. It is expected that these will be the responsibility of users (network operators). The main sources of measurement uncertainty are described, but it is not possible in this document to quantify the overall measurement uncertainty for data reported following the method.

1 Scope

This document describes a standard method for determining particle number size distributions in ambient air in the size range from 10 nm to 800 nm at total concentrations up to approximately 10^5 cm^{-3} with a time resolution of a few minutes. The standard method is based on a Mobility Particle Size Spectrometer (MPSS) used with a bipolar diffusion charger and a Condensation Particle Counter (CPC) as the detector. The document describes the performance characteristics and minimum requirements of the instruments and equipment to be used, and describes sampling, operation, data processing and QA/QC procedures, including calibration.

2 Normative references

The following documents are referred to in the text in such a way that some or all of their content constitutes requirements of this document. For dated references, only the edition cited applies. For undated references, the latest edition of the referenced document (including any amendments) applies.

CEN/TS 16976:2016, *Ambient air - Determination of the particle number concentration of atmospheric aerosol*

ISO 15900:2009, *Determination of particle size distribution — Differential electrical mobility analysis for aerosol particles*

ISO 27891:2015, *Aerosol particle number concentration — Calibration of condensation particle counters*

3 Terms and definitions

For the purposes of this document, the following terms and definitions apply.

ISO and IEC maintain terminological databases for use in standardization at the following addresses:

- IEC Electropedia: available at <http://www.electropedia.org/>
- ISO Online browsing platform: available at <http://www.iso.org/obp>

3.1

aerosol

multi-phase system of solid and/or liquid particles suspended in a gas, ranging in particle size from 0,001 μm to 100 μm

[SOURCE: CEN/TS 16976:2016]

3.2

detection efficiency

ratio of the particle number concentration determined by the measuring instrument to the reference particle number concentration of the aerosol at the instrument's inlet

[SOURCE: CEN/TS 16976:2016, modified]

3.3

number size distribution

frequency distribution of the particle number concentration represented as a function of the logarithm of particle size, such that the area under the distribution between two sizes is the number concentration of that size range

FprCEN/TS 17434:2019 (E)**3.4
particle**

small piece of matter with defined physical boundary

Note 1 to entry: The phase of a particle can be solid, liquid, or between solid and liquid and a mixture of any of the phases.

[SOURCE: ISO 27891:2015, modified]

**3.5
particle number concentration**

number of particles related to the unit volume of the carrier gas

Note 1 to entry: For the exact particle number concentration indication, information on the gaseous condition (temperature and pressure) or the reference to a standard volume indication is necessary.

Note 2 to entry: The usual unit is cm^{-3} .

[SOURCE: ISO 27891:2015, modified]

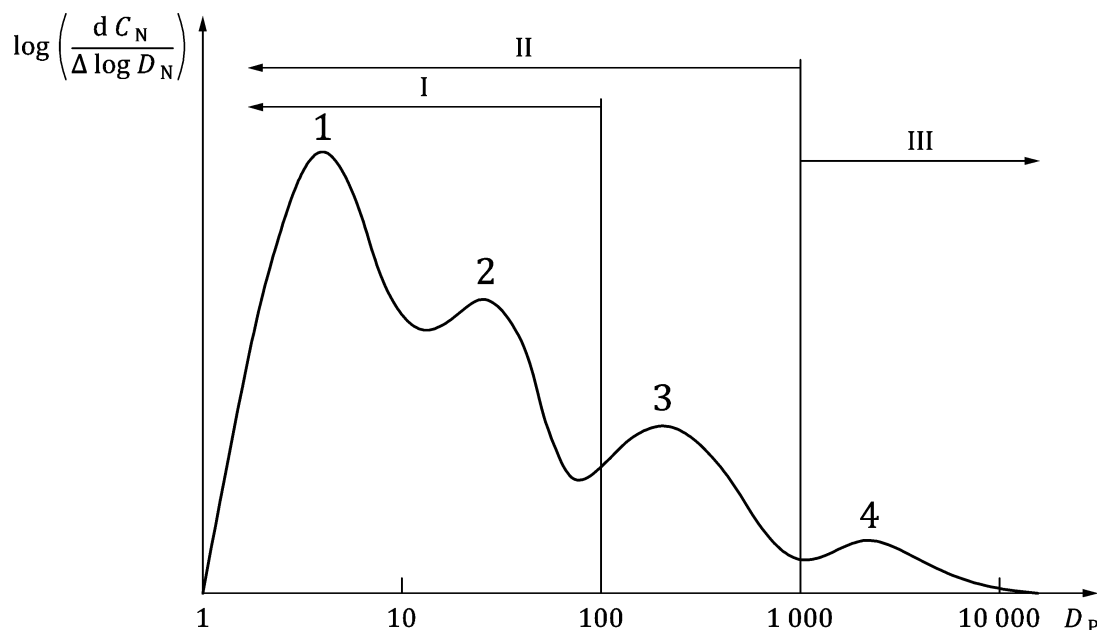
4 Symbols and abbreviations

CPC	Condensation Particle Counter
DMA	Differential Mobility Analyser
HEPA	High Efficiency Particulate Air
MPSS	Mobility Particle Size Spectrometer
PSL	Polystyrene Latex
QA/QC	Quality Assurance / Quality Control

5 Atmospheric aerosol

Atmospheric aerosols are strongly dependent on their local and regional sources. Especially, the size distributions in number and mass, as well as the size-resolved chemical composition are highly variable. Aerosol particles are either emitted directly (primary aerosols) or formed by nucleation and condensation from pre-cursor gases (secondary aerosol). Combustion processes lead to both primary and secondary aerosols [1].

Due to these different formation processes the size distribution of the atmospheric aerosol shows three to four different modes which schematically are sketched in Figure 1.

**Key**

1	Nucleation mode	I	Ultrafine particles
2	Aitken mode	II	Fine particles
3	Accumulation mode	III	Coarse particles
4	Coarse mode		

Figure 1 — Schematic representation of the different modes of the size distribution of atmospheric aerosols (mode height not to scale)

Particles in the nucleation mode are mainly produced by photochemical reactions and by mixing processes from gaseous precursors. If supply of gaseous precursors persists, they grow rapidly by condensation so that their size is shifted into the Aitken mode. Combustion processes contribute particles directly to the Aitken mode. The size of the particles in the Aitken mode increases mainly by cloud processing, condensation and coagulation, so that they are shifted into the accumulation mode. Particles in the coarse mode are mainly produced by mechanical processes like the abrasion and resuspension of mineral dust, dispersion of sea salt as particles and emission of pollen and other biological material. Both the accumulation and the coarse mode particles are often not clearly recognizable in the number distribution but contribute substantially to the mass distribution.

Besides these definitions used in the field of atmospheric physics there are the health and regulatory definitions of fine, ultrafine and coarse particles. The size ranges associated with these terms are also given in Figure 1.

Mass-wise, the global direct emission of aerosol particles is dominated by sea salt, biological material as well as by desert and volcanic dust. These particles are generally larger than 1 µm (coarse mode). Anthropogenic emissions in this size range play a minor role on a global scale. Submicrometer natural aerosols consist mainly of marine sulphate, biogenic organics, and wildfire carbonaceous particles. Submicrometer anthropogenic aerosols are complex mixtures of primary and secondary particles, consisting mainly of sulphate, nitrate, organics and elemental carbon.

Particle number concentrations of atmospheric aerosols cover several orders of magnitude. While remote marine or free tropospheric aerosols have number concentrations as low as tens or a few hundred per cubic centimetre, continental or urban aerosols can contain a few thousand up to one million particles per cubic centimetre. The number concentration of the anthropogenic aerosols over land, especially in

FprCEN/TS 17434:2019 (E)

urban areas is dominated by particles in the size range smaller than $0,1 \mu\text{m}$. Major sources for high particle number concentrations in this size range are regional new particle formation due to homogeneous nucleation and local combustion processes. Average background concentrations in an urban area are several tens of thousands of particles per cubic centimetre.

For details see Annex H.

6 Description of the method

6.1 Sampling and conditioning

6.1.1 Sampling

The measurement of atmospheric aerosols will always necessitate sampling and the transport of the sample to the measuring instrument. Moreover, in certain cases the sample shall be processed in terms of temperature, relative humidity and particle concentration in order to adapt the aerosol to the measuring instrument's permissible operating conditions.

The information given on this issue in this document refers to stationary ambient monitoring sites. For mobile applications (e.g. measurements from aircraft), additional considerations shall be taken into account.

The measuring instruments shall be accommodated in a protected environment in controlled conditions (temperature $20 \text{ }^{\circ}\text{C}$ to $30 \text{ }^{\circ}\text{C}$).

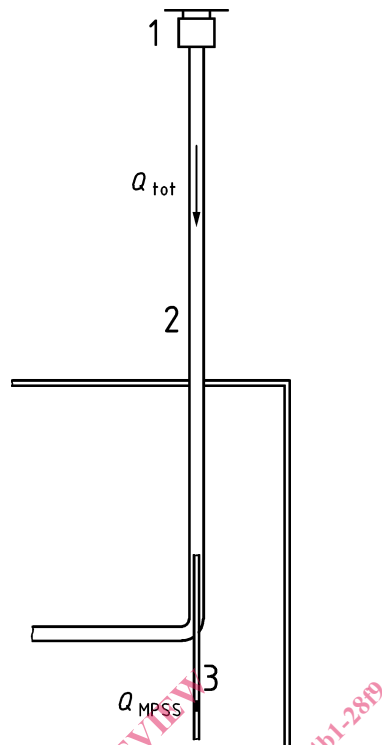
The sampling location depends on the measurement task. If the undisturbed atmospheric aerosol is to be measured, air intake should take place 5 m to 10 m above the ground level. Buildings, vegetation or the topography of the terrain may make an even higher sampling point necessary. By contrast, the measurement of aerosols affecting the exposure of humans (e.g. traffic) calls for much lower sampling heights (1,5 m to 4 m above the ground, see Directive 2008/50/EC [2]).

The design of the aerosol inlet should permit representative sampling regardless of the direction of the wind for a broad range of wind velocities. However, this is not a critical condition for the small particles measured by the MPSS. Steps shall be taken to avoid soiling of the sampling lines by particles larger than $10 \mu\text{m}$. PM10 or PM2.5 inlets can be used for this purpose (see Figure 2).

The sample should ideally be fed via a vertical primary sampling tube without bends to the measuring instruments. Since gas measuring methods have fundamentally different requirements regarding sampling, gas and aerosol sampling should be conducted independently of each other.

To reduce particle losses due to diffusion to walls, it is necessary to sample the aerosol with the aid of a pump at a primary flow rate (Q_{tot}) much higher than the secondary flow rate (Q_{MPSS}). The instrument should sample isoaxially in the central area from this volumetric flow via a secondary sampling tube that is as short as possible. The flow in the primary sampling tube should be laminar in order to prevent additional particle loss due to turbulence. Ideally, a Reynolds number of about $Re = 2000$ shall be aimed for (see 8.2) to minimize losses due to diffusion.

The particle losses due to diffusion in the sampling system shall be determined and corrected (see Annex C).

**Key**

- 1 PM sampling inlet
- 2 Primary sampling tube
- 3 Secondary sampling tube

Figure 2 — Basic design of the aerosol intake port

The aerosol inlet and the sampling lines shall be made of a conductive, corrosion-resistant material with a low surface roughness (e.g. stainless steel) and electrically earthed. This prevents chemical changes to the aerosol and particle losses due to electrostatic effects. Flexible tubing of electrically conductive material may also be used for small connections or short distances. The length of flexible tubing should be below 50 cm.

The inlet and the flow-splitter of the sampling system shall be checked regularly to detect obstructions, e.g. by insects, and cleaned, if necessary.

6.1.2 Aerosol Drying

Aerosols with a high relative humidity (mist in extreme cases) should be dried, as the size of hydrophilic particles (particles containing salts or water-soluble organic material) is strongly dependent on the relative humidity due to hygroscopic growth. Ambient air may increase its relative humidity considerably when cooled down in an air-conditioned environment. The requirement is to keep the relative humidity of the sample flow at the MPSS inlet lower than 40 % [3]. The relative humidity at the inlet of the MPSS shall be monitored.

With respect to the temperature conditions three cases are to be distinguished:

- In case the room temperature is higher than 22 °C no aerosol dryer is needed if the ambient dew point temperature never exceeds 10 °C.
- If the dew point temperature is between 10 °C and the room temperature, the secondary flow shall be dried.