

FINAL
DRAFT

INTERNATIONAL
STANDARD

ISO/FDIS
19085-14

ISO/TC 39/SC 4

Secretariat: UNI

Voting begins on:
2021-06-10

Voting terminates on:
2021-08-05

Woodworking machines — Safety — Part 14: Four-sided moulding machines

Machines à bois — Sécurité —

Partie 14: Machines à moulurer sur quatre faces

iTeh STANDARD PREVIEW
(standards.iteh.ai)

ISO/FDIS 19085-14

<https://standards.iteh.ai/catalog/standards/sist/9be96d48-7776-4965-b0a7-4b59cdc0b6e8/iso-fdis-19085-14>

RECIPIENTS OF THIS DRAFT ARE INVITED TO SUBMIT, WITH THEIR COMMENTS, NOTIFICATION OF ANY RELEVANT PATENT RIGHTS OF WHICH THEY ARE AWARE AND TO PROVIDE SUPPORTING DOCUMENTATION.

IN ADDITION TO THEIR EVALUATION AS BEING ACCEPTABLE FOR INDUSTRIAL, TECHNOLOGICAL, COMMERCIAL AND USER PURPOSES, DRAFT INTERNATIONAL STANDARDS MAY ON OCCASION HAVE TO BE CONSIDERED IN THE LIGHT OF THEIR POTENTIAL TO BECOME STANDARDS TO WHICH REFERENCE MAY BE MADE IN NATIONAL REGULATIONS.

ISO/CEN PARALLEL PROCESSING



Reference number
ISO/FDIS 19085-14:2021(E)

© ISO 2021

iTeh STANDARD PREVIEW
(standards.iteh.ai)

ISO/FDIS 19085-14
<https://standards.iteh.ai/catalog/standards/sist/9be96d48-7776-4965-b0a7-4b59cdc0b6e8/iso-fdis-19085-14>



COPYRIGHT PROTECTED DOCUMENT

© ISO 2021

All rights reserved. Unless otherwise specified, or required in the context of its implementation, no part of this publication may be reproduced or utilized otherwise in any form or by any means, electronic or mechanical, including photocopying, or posting on the internet or an intranet, without prior written permission. Permission can be requested from either ISO at the address below or ISO's member body in the country of the requester.

ISO copyright office
CP 401 • Ch. de Blandonnet 8
CH-1214 Vernier, Geneva
Phone: +41 22 749 01 11
Email: copyright@iso.org
Website: www.iso.org

Published in Switzerland

Contents

	Page
Foreword	v
Introduction	vi
1 Scope	1
2 Normative references	2
3 Terms and definitions	2
4 Safety requirements and measures for controls	6
4.1 Safety and reliability of control systems.....	6
4.2 Control devices.....	6
4.3 Start.....	7
4.3.1 Direct start.....	7
4.3.2 Start via control power-on.....	7
4.3.3 Integrated feed.....	7
4.3.4 Laser marking unit.....	7
4.4 Safe stops.....	7
4.4.1 General.....	7
4.4.2 Normal stop.....	8
4.4.3 Operational stop.....	8
4.4.4 Emergency stop.....	8
4.5 Braking function of tools.....	8
4.6 Mode selection.....	8
4.6.1 MODE 2.....	8
4.6.2 MODE 3.....	8
4.7 Tool speed changing.....	10
4.7.1 Speed changing by shifting the belts on the pulleys.....	10
4.7.2 Speed changing by incremental speed change motor.....	10
4.7.3 Infinitely variable speed by frequency inverter.....	10
4.7.4 Direction of spindle rotation.....	10
4.8 Failure of any power supply.....	11
4.9 Manual reset control.....	11
4.10 Standstill detection and monitoring.....	11
4.11 Machine moving parts speed monitoring.....	11
4.12 Time delay.....	11
4.13 Tele-service.....	11
5 Safety requirements and measures for protection against mechanical hazards	12
5.1 Stability.....	12
5.2 Risk of break-up during operation.....	12
5.3 Tool and tool fixing design.....	12
5.3.1 General.....	12
5.3.2 Spindle locking.....	13
5.3.3 Circular saw blade fixing device.....	13
5.3.4 Flange dimensions for circular saw blades.....	13
5.3.5 Spindle rings.....	13
5.4 Braking.....	13
5.4.1 Braking of tools.....	13
5.4.2 Maximum run-down time.....	13
5.4.3 Brake release.....	13
5.5 Safeguards.....	13
5.5.1 Fixed guards.....	13
5.5.2 Interlocking moveable guards.....	13
5.5.3 Hold-to-run control.....	14
5.5.4 Two hand control.....	14
5.5.5 Electro-sensitive protective equipment (ESPE).....	14

5.5.6	Pressure sensitive protective equipment (PSPE)	14
5.5.7	Enabling control	14
5.6	Prevention of access to hazardous moving parts	14
5.6.1	Guarding of tools	14
5.6.2	Guarding of drives	16
5.6.3	Safeguarding of feed mechanisms	17
5.7	Impact hazard	18
5.8	Clamping devices	18
5.9	Measures against ejection	19
5.9.1	General	19
5.9.2	Guards materials and characteristics	19
5.9.3	Devices to minimize the possibility or effect of ejection or kickback	19
5.10	Workpiece support and guides	24
5.10.1	General	24
5.10.2	In-feed hopper	25
5.10.3	Loading magazine	25
5.10.4	Automatic workpiece returner	26
6	Safety requirements and measures for protection against other hazards	26
6.1	Fire	26
6.2	Noise	27
6.2.1	Noise reduction at the design stage	27
6.2.2	Noise emission measurement and declaration	27
6.3	Emission of chips and dust	27
6.4	Electricity	27
6.5	Ergonomics and handling	27
6.6	Lighting	27
6.7	Pneumatics	27
6.8	Hydraulics	27
6.9	Electromagnetic compatibility	ISO/FDIS 19085-14
6.10	Laser	https://standards.iteh.ai/catalog/standards/sist/9be96d48-7776-4965-b0a7-4b59cdc0b6e8/iso-fdis-19085-14
6.11	Static electricity	28
6.12	Errors of fitting	28
6.13	Isolation	28
6.14	Maintenance	28
6.15	Relevant but not significant hazards	28
7	Information for use	28
7.1	Warning devices	28
7.2	Marking	28
7.2.1	General	28
7.2.2	Additional markings	28
7.3	Instruction handbook	29
7.3.1	General	29
7.3.2	Additional information	29
	Annex A (informative) List of significant hazards	31
	Annex B (informative) Performance levels required	33
	Annex C (normative) Stability test	35
	Annex D (normative) Tests for braking function	36
	Annex E (normative) Impact test for guards	37
	Annex F (normative) Noise test code	38
	Annex G (normative) Table lip resistance test	42
	Annex ZA (informative) Relationship between this International Standard and the Essential Requirements of EU Directive 2006/42/EC aimed to be covered	45
	Bibliography	47

Foreword

ISO (the International Organization for Standardization) is a worldwide federation of national standards bodies (ISO member bodies). The work of preparing International Standards is normally carried out through ISO technical committees. Each member body interested in a subject for which a technical committee has been established has the right to be represented on that committee. International organizations, governmental and non-governmental, in liaison with ISO, also take part in the work. ISO collaborates closely with the International Electrotechnical Commission (IEC) on all matters of electrotechnical standardization.

The procedures used to develop this document and those intended for its further maintenance are described in the ISO/IEC Directives, Part 1. In particular, the different approval criteria needed for the different types of ISO documents should be noted. This document was drafted in accordance with the editorial rules of the ISO/IEC Directives, Part 2 (see www.iso.org/directives).

Attention is drawn to the possibility that some of the elements of this document may be the subject of patent rights. ISO shall not be held responsible for identifying any or all such patent rights. Details of any patent rights identified during the development of the document will be in the Introduction and/or on the ISO list of patent declarations received (see www.iso.org/patents).

Any trade name used in this document is information given for the convenience of users and does not constitute an endorsement.

For an explanation of the voluntary nature of standards, the meaning of ISO specific terms and expressions related to conformity assessment, as well as information about ISO's adherence to the World Trade Organization (WTO) principles in the Technical Barriers to Trade (TBT), see www.iso.org/iso/foreword.html.

This document was prepared by Technical Committee ISO/TC 39, *Machine tools*, Subcommittee SC 4, *Woodworking machines*, in collaboration with the European Committee for Standardization (CEN) Technical Committee CEN/TC 142, *Woodworking machines – Safety*, in accordance with the Agreement on technical cooperation between ISO and CEN (Vienna Agreement).

Any feedback or questions on this document should be directed to the user's national standards body. A complete listing of these bodies can be found at www.iso.org/members.html.

This document is intended to be used in conjunction with ISO 19085-1:2021, which gives requirements common to different machine types.

A list of all parts in the ISO 19085 series can be found on the ISO website.

Introduction

The ISO 19085 series provides technical safety requirements for the design and construction of woodworking machinery. It concerns designers, manufacturers, suppliers and importers of the machines specified in the Scope. It also includes a list of informative items to be provided to the user by the manufacturer.

This document is a type-C standard as stated in ISO 12100.

This document is of relevance, in particular, for the following stakeholder groups representing the market players with regard to machinery safety:

- machine manufacturers (small, medium and large enterprises);
- health and safety bodies (regulators, accident prevention organisations, market surveillance etc.)

Others can be affected by the level of machinery safety achieved with the means of the document by the above-mentioned stakeholder groups:

- machine users/employers (small, medium and large enterprises);
- machine users/employees (e.g. trade unions, organizations for people with special needs);
- service providers, e. g. for maintenance (small, medium and large enterprises);
- consumers (in case of machinery intended for use by consumers).

The above-mentioned stakeholder groups have been given the possibility to participate at the drafting process of this document.

The machinery concerned and the extent to which hazards, hazardous situations or hazardous events are covered are indicated in the Scope.

When requirements of this type-C standard are different from those which are stated in type-A or type-B standards, the requirements of this type-C standard take precedence over the requirements of the other standards for machines that have been designed and built according to the requirements of this type-C standard.

The full set of requirements for a particular type of woodworking machine are those given in the part of ISO 19085 applicable to that type, together with the relevant requirements from ISO 19085-1, to the extent specified in the Scope of the applicable part of ISO 19085 series.

As far as possible, the safety requirements of parts of the ISO 19085 series refer to the relevant subclauses of ISO 19085-1. Each part contains replacements and additions to the common requirements given in ISO 19085-1.

[Clauses 1 to 3](#) are specific to each part and, therefore, replace ISO 19085-1:2021, Clauses 1 to 3.

For [Clauses 4 to 7](#) and the annexes, ISO 19085-1:2021, Clauses 4 to 7 and Annexes, each subclause can be:

- confirmed as a whole;
- confirmed with additions;
- excluded in total; or
- replaced with specific text.

This is indicated by one of the following possible statements:

- “ISO 19085-1:2021, [subclause/Annex], applies”;

- “ISO 19085-1:2021, [subclause/Annex], applies with the following additions.” or “ISO 19085-1:2021, [subclause/Annex], applies with the following additions, subdivided into further specific subclauses.”;
- “ISO 19085-1:2021, [subclause/Annex], does not apply.”;
- “ISO 19085-1:2021, [subclause/Annex], is replaced by the following text.” or “ISO 19085-1:2021, [subclause/Annex], is replaced by the following text, subdivided into further specific subclauses.”.

Other subclauses and annexes specific to this document are indicated by the introductory sentence: “Subclause/Annex specific to this document.”.

iTeh STANDARD PREVIEW **(standards.iteh.ai)**

[ISO/FDIS 19085-14](https://standards.iteh.ai/catalog/standards/sist/9be96d48-7776-4965-b0a7-4b59cdc0b6e8/iso-fdis-19085-14)

<https://standards.iteh.ai/catalog/standards/sist/9be96d48-7776-4965-b0a7-4b59cdc0b6e8/iso-fdis-19085-14>

iTeh STANDARD PREVIEW
(standards.iteh.ai)

ISO/FDIS 19085-14

<https://standards.iteh.ai/catalog/standards/sist/9be96d48-7776-4965-b0a7-4b59cdc0b6e8/iso-fdis-19085-14>

Woodworking machines — Safety —

Part 14: Four-sided moulding machines

1 Scope

This document gives the safety requirements and measures for four-sided moulding machines, capable of continuous production use, with a maximum working width of 350 mm and a maximum speed of the integrated workpiece feed of 200 m/min, hereinafter referred to as “machines”, designed to cut solid wood and materials with similar physical characteristics to wood (see ISO 19085-1:2021, 3.2).

It deals with all significant hazards, hazardous situations and events, listed in [Annex A](#), relevant to the machines, when operated, adjusted and maintained as intended and under the conditions foreseen by the manufacturer; reasonably foreseeable misuse has been considered too. Also, transport, assembly, dismantling, disabling and scrapping phases are taken into account.

It is also applicable to machines fitted with one or more of the following devices / additional working units, whose hazards have been dealt with:

- universal spindle;
- glass bead saw unit;
- fixed or movable workpiece support;
- quick tool changing system;
- laser marking unit;
- automatic workpiece returner;
- in-feed hopper;
- loading magazine;
- unloading table.

This document does not deal with any hazards related to:

- a) in-feed devices other than in-feed hopper and loading magazine;
NOTE 1 For mechanical in-feed devices which also prevent access to the in-feed opening, see 6.6.4.
- b) out-feed devices other than unloading table, except for hazards related to ejection from the machine due to climb cutting;
- c) out-feed of workpieces on machines with feed speed higher than 60 m/min;
NOTE 2 Machines with feed speed higher than 60 m/min are usually combined with mechanical unloading and workpiece transfer systems.
- d) machines being used in combination with any other machine (as part of a line).

It is not applicable to machines intended for use in potentially explosive atmosphere and to machines manufactured prior to its publication.

2 Normative references

The following documents are referred to in the text in such a way that some or all of their content constitutes requirements of this document. For dated references, only the edition cited applies. For undated references, the latest edition of the referenced document (including any amendments) applies.

ISO 286-2:2010, *Geometrical product specifications (GPS) — ISO code system for tolerances on linear sizes — Part 2: Tables of standard tolerance classes and limit deviations for holes and shafts*

ISO 12100:2010, *Safety of machinery — General principles for design — Risk assessment and risk reduction*

ISO 13849-1:2015, *Safety of machinery — Safety-related parts of control systems — Part 1: General principles for design*

ISO 13857:2019, *Safety of machinery — Safety distances to prevent hazard zones being reached by upper and lower limbs*

ISO 19085-1:2021, *Woodworking machines – Safety – Part-1: common requirements*

IEC 60825-1:2014, *Safety of laser products – Part 1: Equipment classification and requirements*

EN 12198-1:2000+A1:2008, *Safety of machinery - Assessment and reduction of risks arising from radiation emitted by machinery - Part 1: General principles*

EN 1837:1999+A1:2009, *Safety of machinery – Integral lighting of machines*

EN 847-1:2017, *Tools for woodworking – Safety requirements – Part 1: Milling tools, circular saw blades*

3 Terms and definitions

For the purposes of this document, the terms and definitions given in ISO 12100:2010, ISO 13849-1:2015, ISO 19085-1:2021 and the following apply.

ISO and IEC maintain terminological databases for use in standardization at the following addresses:

- ISO Online browsing platform: available at <https://www.iso.org/obp>
- IEC Electropedia: available at <http://www.electropedia.org/>

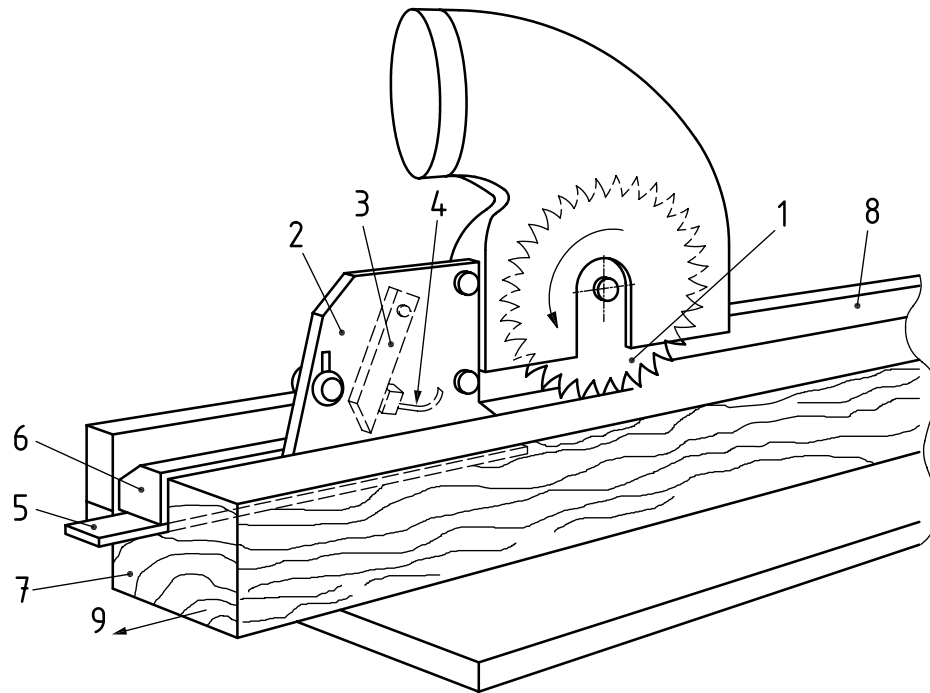
3.1 four-sided moulding machine
machine for four-sided longitudinal processing with four or more working units with spindles, which can be equipped with planing and/or moulding tools, at least one unit on each side of the workpiece, and with integrated feed of the workpiece

Note 1 to entry: machines where the first feed roller is fitted after the first tool and machines where the feed roller before the first bottom spindle can be raised up for the purpose of straightening are, for the purpose of this document, also integrated fed machines.

3.2 universal spindle
working unit whose position can be changed manually or under power so as to allow it to work at different positions around the workpiece

3.3 glass bead saw unit
working unit fitted with a tool, usually a saw blade, with or without coaxially mounted milling tool, to cut out a glass bead from the machined profile of the workpiece

Note 1 to entry: An example of glass bead saw unit is shown in [Figure 1](#).

**Key**

1	glass bead saw-blade	2	bed ledge separator	3	anti-kickback finger
4	pressure device	5	guiding channel for glass bead ledge	6	glass bead ledge
7	workpiece	8	fence	9	feed direction

Figure 1 — Example of glass bead saw unit

<https://standards.iteh.ai/catalog/standards/sist/9be96d48-7776-4965-b0a7-4b59cdc0b6e8/iso-fdis-19085-14>

3.4 in-feed hopper

device to hold a stack of workpieces at the in-feed, so that, after the lowest one is fed, the next one can be fed to the machine automatically

Note 1 to entry: An example of in-feed hopper is shown in [Figure 2](#).

3.5 loading magazine

system where the workpieces are loaded, independently from the operational sequence of the machine, with a device to bring them to the machine feed in sequence

Note 1 to entry: An example of loading magazine is shown in [Figure 3](#) (safeguarding not complete).

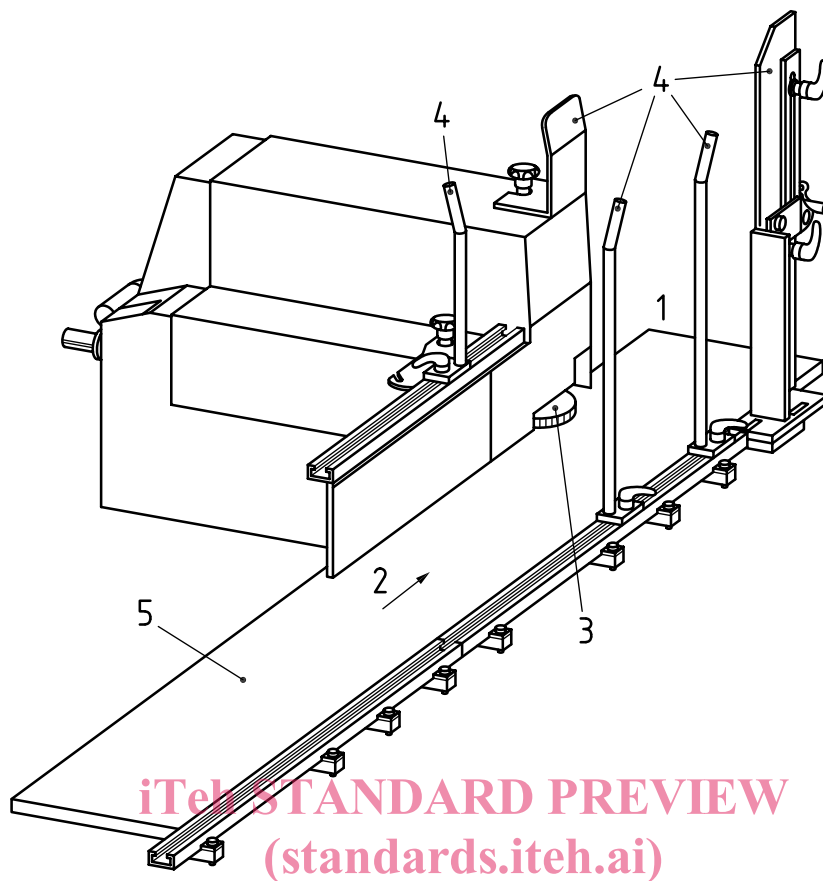
3.6 automatic workpiece returner

powered system that brings the machined workpiece from the machine end to the loading position

Note 1 to entry: An example of automatic workpiece returner is shown in [Figure 4](#) (safeguarding not complete).

3.7 integral enclosure

guarding designed to fit close to the machine and provide a measure of noise attenuation and where certain setting adjustments can be available outside the enclosure

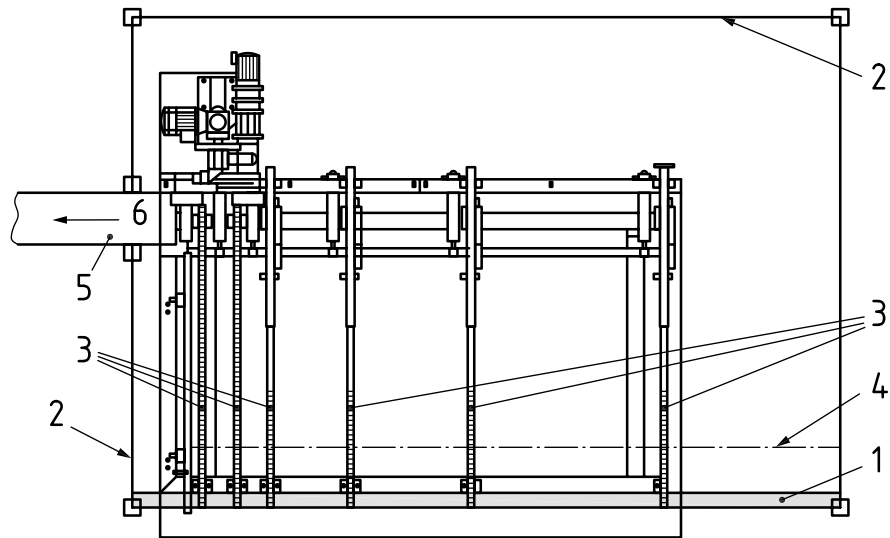


iTech STANDARD PREVIEW
(standards.iteh.ai)

Key

- | | | | |
|---|----------------------------|---|----------------------------------|
| 1 | in-feed-end of the machine | 4 | workpieces stack vertical guides |
| 2 | feed direction | 5 | workpiece support |
| 3 | feed roller | | |

Figure 2 — Example of in-feed hopper



Key

- | | | | |
|---|----------------------|---|-----------------------|
| 1 | fixed guard | 4 | AOPD |
| 2 | lateral fence | 5 | machine in-feed table |
| 3 | loading belts/chains | 6 | feed direction |

Figure 3 — Example of loading magazine
 iTeh STANDARD PREVIEW
 (standards.iteh.ai)

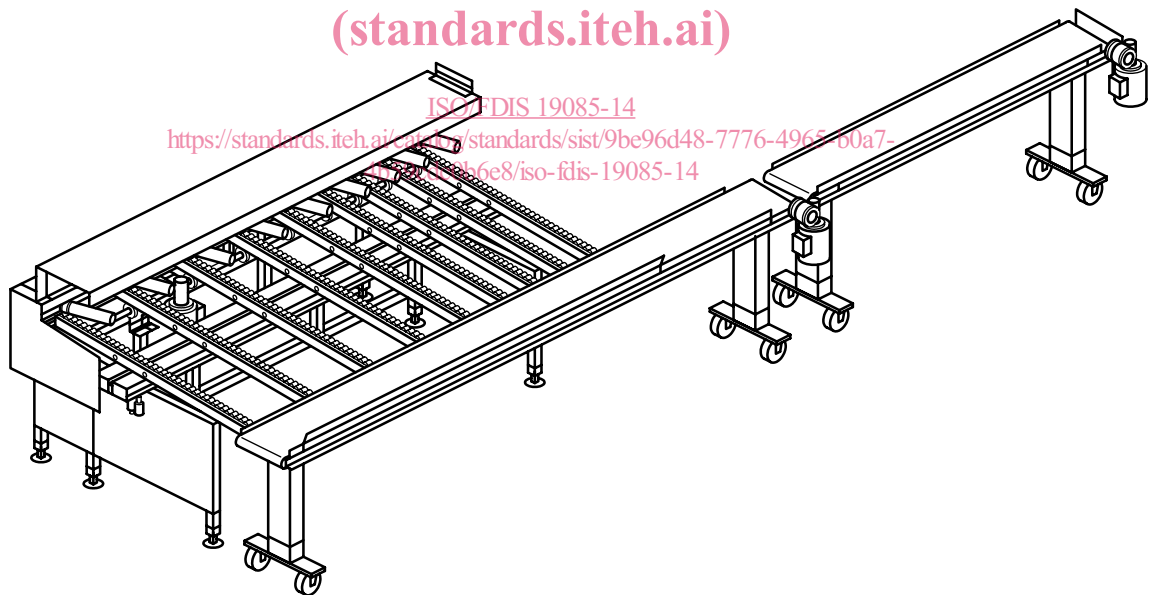


Figure 4 — Example of automatic workpiece returner

3.8 complete enclosure

total machine enclosure primarily designed for noise attenuation and to permit the operator to move around freely within it and where all machine setting and adjustments are available inside it and access is normally through a door/opening

Note 1 to entry: The complete enclosure usually contains openings for workpiece loading and unloading. The openings are usually equipped with measures for noise attenuation.

**3.9
initiation control**

control that does not directly start any movement, but enables power supply to specific machine actuators when activated

**3.10
MODE 2**

condition with safeguards disabled, for setting or adjustment of processing units, feeding and guiding devices, and/or for cleaning

**3.11
MODE 3**

condition with safeguards disabled, for test run, fine adjustment of processing units, feeding and guiding devices

**3.12
jog control**

control device for momentary activation of a function or a movement

**3.13
hydrostatic tool fixing device**

device for clamping the tool to the spindle using hydraulic pressure

4 Safety requirements and measures for controls

iTeh STANDARD PREVIEW
(standards.iteh.ai)

4.1 Safety and reliability of control systems

ISO 19085-1:2021, 4.1, applies with the following additions.

Table B.1 replaces ISO 19085-1:2021, Table B.1. [ISO/FDIS 19085-14
https://standards.iteh.ai/catalog/standards/sist/9be96d48-7776-4965-b0a7-4b59cdc0b6e8/iso-fdis-19085-14](https://standards.iteh.ai/catalog/standards/sist/9be96d48-7776-4965-b0a7-4b59cdc0b6e8/iso-fdis-19085-14)

4.2 Control devices

ISO 19085-1:2021, 4.2, applies with the following additions.

Emergency stop control devices shall be fitted at the following positions:

- a) in close proximity to the in-feed end of the machine;
- b) at the loading side of the loading magazine, if provided;
- c) in close proximity to the out-feed end of the machine;
- d) on each hand-held control set (if provided);
- e) not more than 1,5 m from each fixed hold-to-run control device and jog control device;
- f) on the main control panel.

If the distance between two required emergency stop control devices is less than 1 m, only one emergency stop control device may be provided.

Additional control devices for process start, normal stop may be provided on hand-held control sets with cable connection or wireless.

When a wireless control set loses its connection to the machine an emergency stop shall be automatically activated. The SRP/CS for interlocking of wireless connection with emergency stop shall achieve $PL_r = c$.

Reset function control devices, control devices for control power-on, mode selectors shall not be positioned on hand-held control sets and inside the complete enclosure.

Verification: By checking the relevant drawings and/or circuit diagrams, measurements, inspection of the machine and relevant functional testing of the machine.

4.3 Start

4.3.1 Direct start

ISO 19085-1:2021, 4.3.1, applies.

4.3.2 Start via control power-on

ISO 19085-1:2021, 4.3.2, applies.

4.3.3 Integrated feed

Subclause specific to this document.

In normal processing mode (MODE 1), start of the feed shall only be possible when the tool spindles are rotating or the tools of all spindles not involved in the current operation cannot come into contact with the workpiece, because the tools are removed from the spindles or the not rotating spindles are retracted to a non-cutting position.

For machines where at least one spindle is adjusted manually, by hand wheel or power operated under hold to run control, instruction shall be given according to 7.3.2 f).

For machines where at least one spindle is adjusted automatically under NC or CNC-control, one of the following requirements shall be fulfilled:

- a) the PLC shall request a confirmation by the operator at each start of the integrated feed, that the not rotating tools have been removed or are retracted to a non-cutting position;
- b) a limit position device shall detect the not rotating tool at the non-cutting position;
- c) the PLC shall ensure that no contact between a not rotating tool and the workpiece is possible, taking into account the position of the tool, the workpiece dimensions and the spindle position;
- d) the feed shall be interlocked with the rotation of all tool spindles.

The SRP/CS for interlocking of feed start with all tool spindle drives (rotation or position) may not achieve any PL_r .

Verification: By checking the relevant drawings and/or circuit diagrams, inspection of the machine and relevant functional testing of the machine.

4.3.4 Laser marking unit

Subclause specific to this document.

Laser marking unit activation shall only be possible when feed is active and workpiece is detected to be under laser marking unit. The SRP/CS for interlocking of laser marking unit activation with feed shall achieve $PL_r = c$ and with workpiece detection shall achieve $PL_r = b$.

Verification: By checking the relevant drawings and/or circuit diagrams, inspection of the machine and relevant functional testing of the machine.

4.4 Safe stops

4.4.1 General

ISO 19085-1:2021, 4.4.1, applies with the following additions.