

---

---

**Alpine and touring ski-bindings —  
Test soles for ski-binding tests**

*Fixations de skis alpins et de randonnée — Semelles d'essai pour les  
essais de fixations de skis*

**iTeh STANDARD PREVIEW**  
**(standards.iteh.ai)**

[ISO 9838:2015](https://standards.iteh.ai/catalog/standards/sist/a92a19d6-66c4-42b2-8f06-c00afdc63785/iso-9838-2015)

[https://standards.iteh.ai/catalog/standards/sist/a92a19d6-66c4-42b2-8f06-  
c00afdc63785/iso-9838-2015](https://standards.iteh.ai/catalog/standards/sist/a92a19d6-66c4-42b2-8f06-c00afdc63785/iso-9838-2015)



**iTeh STANDARD PREVIEW**  
**(standards.iteh.ai)**

ISO 9838:2015

<https://standards.iteh.ai/catalog/standards/sist/a92a19d6-66c4-42b2-8f06-c00afdc63785/iso-9838-2015>



**COPYRIGHT PROTECTED DOCUMENT**

© ISO 2015, Published in Switzerland

All rights reserved. Unless otherwise specified, no part of this publication may be reproduced or utilized otherwise in any form or by any means, electronic or mechanical, including photocopying, or posting on the internet or an intranet, without prior written permission. Permission can be requested from either ISO at the address below or ISO's member body in the country of the requester.

ISO copyright office  
Ch. de Blandonnet 8 • CP 401  
CH-1214 Vernier, Geneva, Switzerland  
Tel. +41 22 749 01 11  
Fax +41 22 749 09 47  
copyright@iso.org  
www.iso.org

# Contents

Page

Foreword .....	iv
<b>1 Scope .....</b>	<b>1</b>
<b>2 Normative references .....</b>	<b>1</b>
<b>3 Terms and definitions .....</b>	<b>1</b>
<b>4 Material and manufacture .....</b>	<b>2</b>
<b>5 Dimensions .....</b>	<b>2</b>
<b>6 Mechanical properties .....</b>	<b>5</b>
6.1 Flexional stiffness .....	5
6.2 Compressional stiffness .....	6
6.3 Hardness .....	7
6.3.1 Form A types A and C .....	7
6.3.2 Form T .....	7
6.4 Coefficient of friction .....	7
6.4.1 Form A types A and C .....	7
6.4.2 Form T .....	7
6.5 Coefficient of thermal expansion .....	8
6.6 Requirements .....	8
<b>7 Long-term use .....</b>	<b>8</b>
<b>Bibliography .....</b>	<b>9</b>

**iTeh STANDARD PREVIEW**  
(standards.iteh.ai)

[ISO 9838:2015](https://standards.iteh.ai/catalog/standards/sist/a92a19d6-66c4-42b2-8f06-c00afdc63785/iso-9838-2015)

<https://standards.iteh.ai/catalog/standards/sist/a92a19d6-66c4-42b2-8f06-c00afdc63785/iso-9838-2015>

## Foreword

ISO (the International Organization for Standardization) is a worldwide federation of national standards bodies (ISO member bodies). The work of preparing International Standards is normally carried out through ISO technical committees. Each member body interested in a subject for which a technical committee has been established has the right to be represented on that committee. International organizations, governmental and non-governmental, in liaison with ISO, also take part in the work. ISO collaborates closely with the International Electrotechnical Commission (IEC) on all matters of electrotechnical standardization.

The procedures used to develop this document and those intended for its further maintenance are described in the ISO/IEC Directives, Part 1. In particular the different approval criteria needed for the different types of ISO documents should be noted. This document was drafted in accordance with the editorial rules of the ISO/IEC Directives, Part 2 (see [www.iso.org/directives](http://www.iso.org/directives)).

Attention is drawn to the possibility that some of the elements of this document may be the subject of patent rights. ISO shall not be held responsible for identifying any or all such patent rights. Details of any patent rights identified during the development of the document will be in the Introduction and/or on the ISO list of patent declarations received (see [www.iso.org/patents](http://www.iso.org/patents)).

Any trade name used in this document is information given for the convenience of users and does not constitute an endorsement.

For an explanation on the meaning of ISO specific terms and expressions related to conformity assessment, as well as information about ISO's adherence to the WTO principles in the Technical Barriers to Trade (TBT) see the following URL: [Foreword - Supplementary information](http://www.iso.org/foreword)

The committee responsible for this document is ISO/TC 83, *Sports and other recreational facilities and equipment*, Subcommittee SC 4, *Snowsports equipment*.

This third edition cancels and replaces the second edition (ISO 9838:2008), of which it constitutes a minor revision.

# Alpine and touring ski-bindings — Test soles for ski-binding tests

## 1 Scope

This International Standard defines test soles representing

- an alpine ski-boot (form A) or at least the bottom part of it to be used for testing alpine ski-bindings for alpine skiing in accordance with ISO 9462 and ISO 9465, and
- a touring ski-boot (form T) or at least the bottom part of it to be used for testing touring ski-bindings for touring skiing in accordance with ISO 13992 and ISO 9465.

NOTE Ski-boots have their own International Standards (ISO 5355 and ISO 9523) that allow relatively large tolerances in defining the test sole which are generally believed to be suitable for on-slope use by skiers, but too large for reproducible laboratory measurements.

## 2 Normative references

The following documents, in whole or in part, are normatively referenced in this document and are indispensable for its application. For dated references, only the edition cited applies. For undated references, the latest edition of the referenced document (including any amendments) applies.

ISO 868, *Plastics and ebonite — Determination of indentation hardness by means of a durometer (Shore hardness)*

ISO 9838:2015

ISO 5355, *Alpine ski-boots — Requirements and test methods*

ISO 9462, *Alpine ski-bindings — Requirements and test methods*

## 3 Terms and definitions

For the purposes of this document, the terms and definitions given in ISO 5355 and the following apply.

### 3.1

#### **test sole form A**

test sole for testing alpine ski-bindings

### 3.2

#### **test sole form T**

test sole for testing touring ski-bindings

### 3.3

#### **test sole type A**

test sole for adults in accordance with ISO 5355, type A, suitable for bindings of type A (adults) and CA (junior) in accordance with ISO 9462

### 3.4

#### **test sole type C**

test sole for children in accordance with ISO 5355, type C, suitable for bindings of type C (children) in accordance with ISO 9462

### 3.5

#### **basic test sole**

one-piece sole of length 305 mm for type A and 255 mm for type C

**3.6 variable length soles**

sole that is either adjustable, in two parts, or a set of several fixed length soles between 270 mm and 360 mm for type A and between 200 mm and 280 mm for type C

**4 Material and manufacture**

The sole shall be moulded in polyurethane (TPU) reinforced by a metal insert in order to achieve the mechanical requirements given in [Clause 6](#). It is moulded in a homogeneous material and in a mould with the same roughness on the sole/binding interface to ensure that the friction coefficient is the same all over this interface.

In the shell areas, reinforcement is allowed to support the walls. It should remain outside the flat area.

Form T could be based, for example, on the same construction as form A type A with the addition of a TPU part to allow tooling of the defined profile in [Figure 3](#) and glueing of a thick rubber sole of hardness  $68 \pm 5$  Shore A. The dimensions of test sole form T which are not given in [Figure 3](#) shall be taken from test sole form A type A shown in [Figure 1](#).

**5 Dimensions**

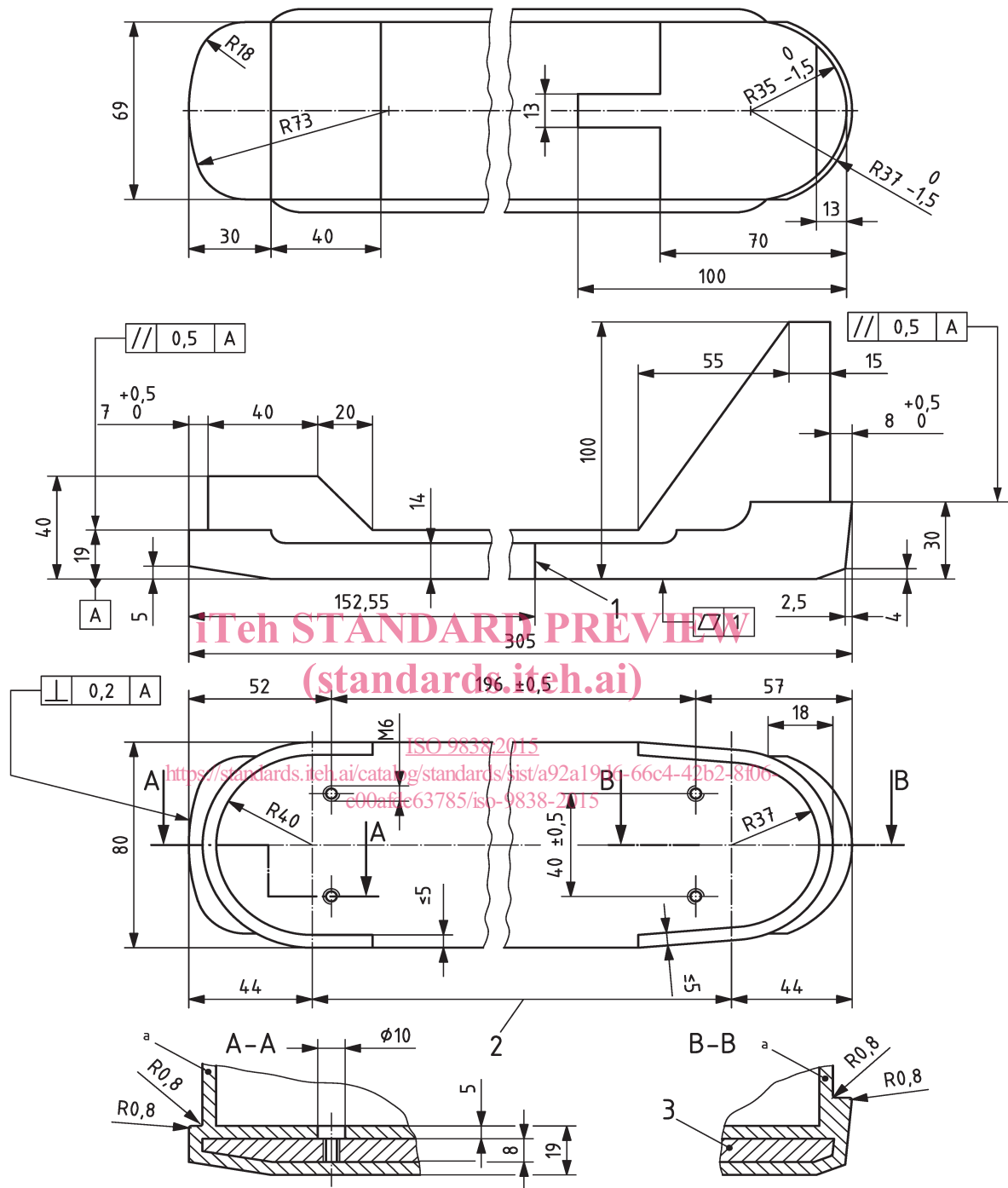
The dimensions of the basic sole shall be as shown in [Figures 1 to 3](#). Except for the overall length, all the dimensions also apply to the variable length soles subject to the tolerance in [Table 1](#).

**Table 1 — Tolerance**  
(standards.iteh.ai)

Dimensions in millimetres

Dimension	Tolerance for nominal dimension of				
	0,5 to 3	>3 to 6	>6 to 30	>30 to 120	>120 to 315
Length dimensions	±0,15	±0,2	±0,5	±0,8	±1,2
Radius and chamfer	±0,2	±0,5	±1	±2	—

Dimensions in millimetres

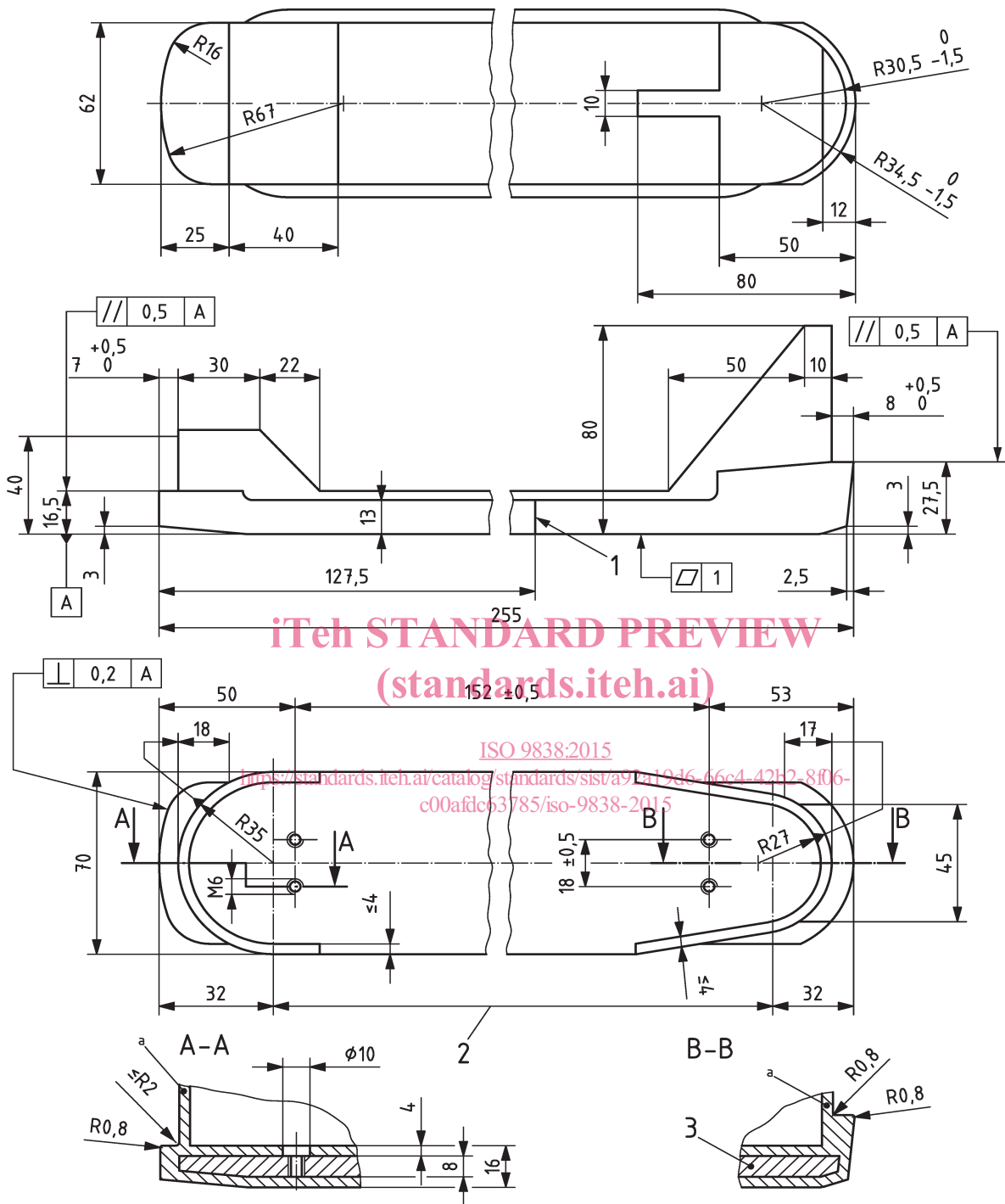


**Key**

- 1 central mark
- 2 flat area
- 3 reinforcement plate
- a See [Clause 4](#).

**Figure 1 — Test sole form A type A**

Dimensions in millimetres

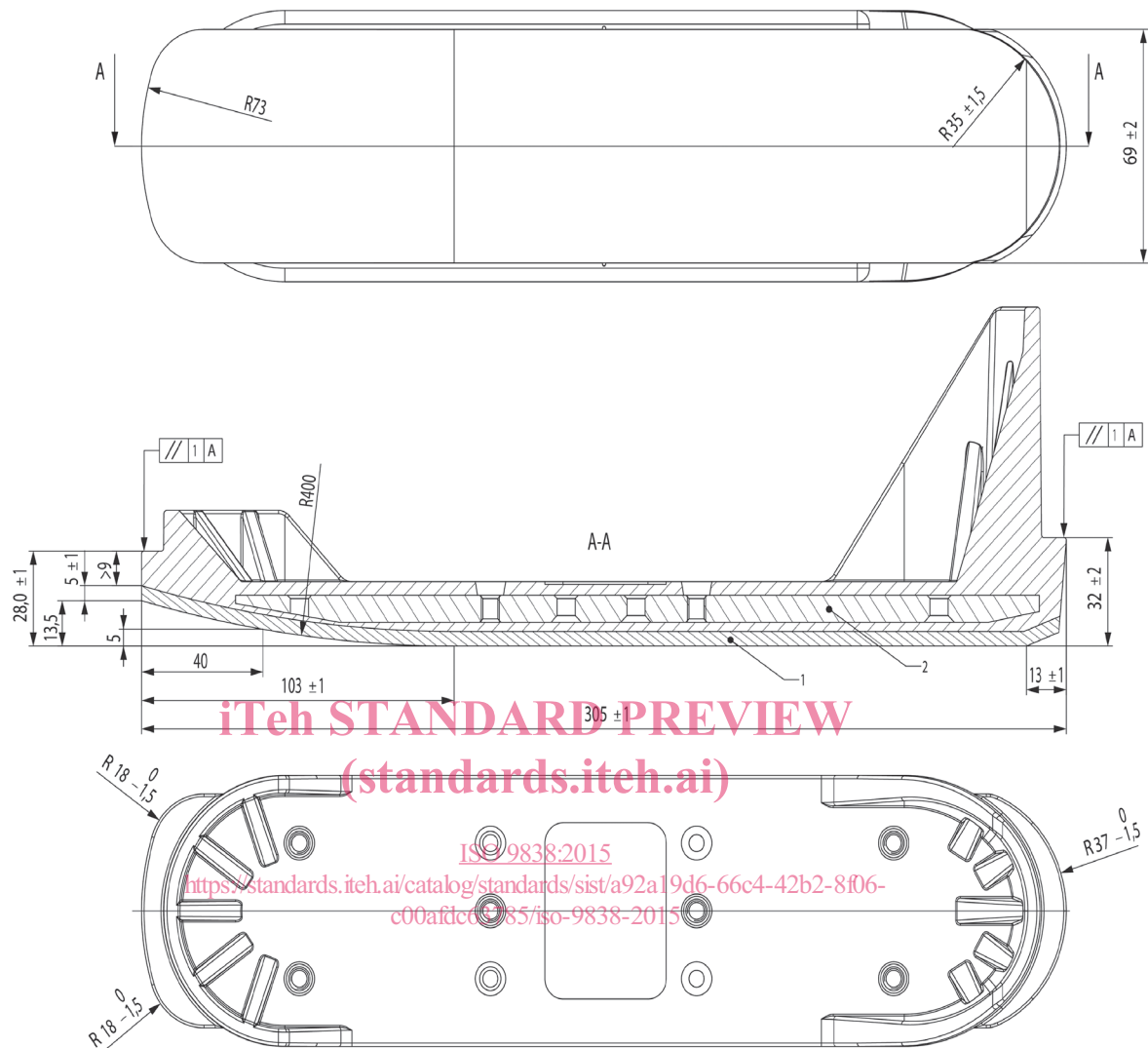


- Key**
- 1 central mark
  - 2 flat area
  - 3 reinforcement plate
  - a See [Clause 4](#).

Figure 2 — Test sole form A type A



Dimensions in millimetres

**Key**

- 1  $68 \pm 5$  Shore A rubber layer
- 2 reinforcement plate

**Figure 3 — Test sole form T****6 Mechanical properties****6.1 Flexional stiffness**

Place the test sole (basic or variable) on two supports as shown in [Figure 4](#). The radius of the supports shall be  $10 \text{ mm} \pm 1 \text{ mm}$  and the test sole shall be supported over its whole width. Load the test sole vertically for 10 s at its middle by means of a contact ram with a radius of 10 mm and record the deflection under load. Record the residual deflection 20 s after releasing. Test at  $23 \text{ } ^\circ\text{C} \pm 5 \text{ } ^\circ\text{C}$ . The load,  $F_1$ , shall be the following:

- type A:  $F_1 = 400 \text{ N}$ ;
- type C:  $F_1 = 200 \text{ N}$ .