
International Standard



2010

INTERNATIONAL ORGANIZATION FOR STANDARDIZATION • МЕЖДУНАРОДНАЯ ОРГАНИЗАЦИЯ ПО СТАНДАРТИЗАЦИИ • ORGANISATION INTERNATIONALE DE NORMALISATION

Slotted raised countersunk head screws (common head style) — Product grade A

Vis à métaux à tête fraisée bombée, fendue — Grade A

Second edition — 1983-07-01

ITeH STANDARD PREVIEW
(standards.iteh.ai)

ISO 2010:1983

<https://standards.iteh.ai/catalog/standards/sist/b10a5db8-3713-4b65-a635-5e57b55bd362/iso-2010-1983>

UDC 621.882.215.091.5

Ref. No. ISO 2010-1983 (E)

Descriptors : fasteners, screws, countersunk head screws, slotted head screws, dimensions, designation.

Price based on 4 pages

Foreword

ISO (the International Organization for Standardization) is a worldwide federation of national standards bodies (ISO member bodies). The work of developing International Standards is carried out through ISO technical committees. Every member body interested in a subject for which a technical committee has been authorized has the right to be represented on that committee. International organizations, governmental and non-governmental, in liaison with ISO, also take part in the work.

Draft International Standards adopted by the technical committees are circulated to the member bodies for approval before their acceptance as International Standards by the ISO Council.

International Standard ISO 2010 was developed by Technical Committee ISO/TC 2, *Fasteners*, and was circulated to the member bodies in December 1981.

iTeh STANDARD PREVIEW
(standards.iteh.ai)

It has been approved by the member bodies of the following countries:

Australia	Hungary	Poland
Austria	India	Romania
Belgium	Ireland	South Africa, Rep. of
Brazil	Italy	Spain
Canada	Japan	Sri Lanka
China	Korea, Dem. P. Rep. of	Sweden
Czechoslovakia	Korea, Rep. of	Switzerland
Denmark	Mexico	USA
Egypt, Arab Rep. of	Netherlands	USSR
Finland	New Zealand	
France	Norway	

The member bodies of the following countries expressed disapproval of the document on technical grounds:

Germany, F.R.
United Kingdom

This second edition cancels and replaces the first edition (i.e. ISO 2010-1974).

Slotted raised countersunk head screws (common head style) — Product grade A

iTeh STANDARD PREVIEW (standards.iteh.ai)

1 Scope and field of application

This International Standard specifies the characteristics of slotted raised countersunk head screws in product grade A and with thread sizes M 1,6 to M 10 inclusive.

If other specifications are required, it is recommended that they should be selected from existing International Standards, for example ISO 261, ISO 888, ISO 898, ISO 965, ISO 3506.

2 References

ISO 225, *Fasteners — Bolts, screws, studs and nuts — Symbols and designations of dimensions.*

ISO 261, *ISO general purpose metric screw threads — General plan.*

ISO 888, *Bolts, screws and studs — Nominal lengths, and thread lengths for general purpose bolts.*

ISO 898, *Mechanical properties of fasteners.*

ISO 965, *ISO general purpose metric screw threads — Tolerances.*

ISO 3269, *Fasteners — Acceptance inspection.*¹⁾

ISO 3506, *Corrosion-resistant stainless steel fasteners — Specifications.*

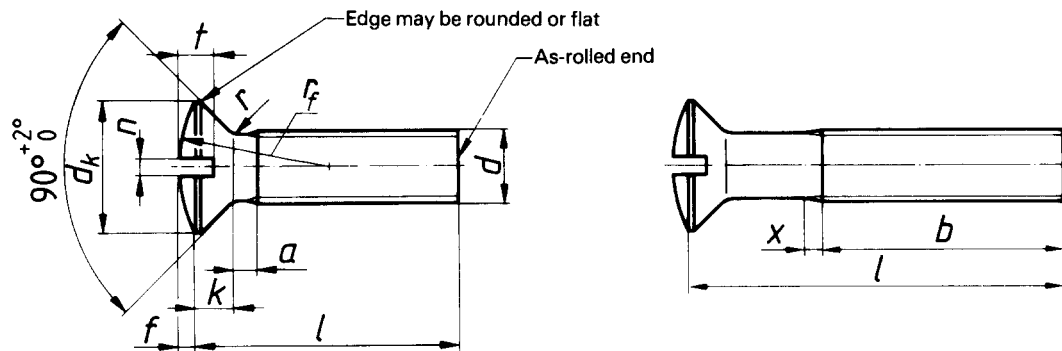
ISO 4042, *Threaded components — Electroplated coatings components.*¹⁾

ISO 4759/1, *Tolerances for fasteners — Part 1: Bolts, screws and nuts with thread diameters > 1,6 and < 150 mm and product grades A, B and C.*

ISO 7721, *Countersunk head screws — Head configuration and gauging.*

1) At present at the stage of draft.

3 Dimensions



Shank diameter is approximately equal to pitch diameter or equal to major thread diameter permissible.

iTeh STANDARD PREVIEW
(standards.iteh.ai)

<https://standards.iteh.ai/catalog/standards/sist/b10a5db8-3713-4b65-a635-5e57b55bd362/iso-2010-1983>

Dimensions in millimetres

Thread size <i>d</i>			M 1,6	M 2	M 2,5	M 3	(M 3,5) ¹⁾	M 4	M 5	M 6	M 8	M 10
<i>p</i> ²⁾			0,35	0,4	0,45	0,5	0,6	0,7	0,8	1	1,25	1,5
<i>a</i>	max.		0,7	0,8	0,9	1	1,2	1,4	1,6	2	2,5	3
<i>b</i>	min.		25	25	25	25	38	38	38	38	38	38
<i>d_k</i>	theoretical ³⁾	max.	3,6	4,4	5,5	6,3	8,2	9,4	10,4	12,6	17,3	20
		max.	3	3,8	4,7	5,5	7,3	8,4	9,3	11,3	15,8	18,3
	actual	min.	2,7	3,5	4,4	5,2	6,9	8	8,9	10,9	15,4	17,8
<i>f</i>	≈		0,4	0,5	0,6	0,7	0,8	1	1,2	1,4	2	2,3
<i>k</i>	max.		1	1,2	1,5	1,65	2,35	2,7	2,7	3,3	4,65	5
<i>n</i>	nom.		0,4	0,5	0,6	0,8	1	1,2	1,2	1,6	2	2,5
	min.		0,46	0,56	0,66	0,86	1,06	1,26	1,26	1,66	2,06	2,56
	max.		0,6	0,7	0,8	1	1,2	1,51	1,51	1,91	2,31	2,81
<i>r</i>	max.		0,4	0,5	0,6	0,8	0,9	1	1,3	1,5	2	2,5
<i>r_f</i>	≈		3	4	5	6	8,5	9,5	9,5	12	16,5	19,5
<i>t</i>	min.		0,64	0,8	1	1,2	1,4	1,6	2	2,4	3,2	3,8
	max.		0,8	1	1,2	1,45	1,7	1,9	2,4	2,8	3,7	4,4
<i>x</i>	max.		0,9	1	1,1	1,25	1,5	1,75	2	2,5	3,2	3,8
(1), 4), 5)												
nom.	min.	max.	<p style="text-align: center;">iTeh STANDARD PREVIEW (standards.iteh.ai)</p> <p style="text-align: center;">ISO 2010:1983 https://standards.iteh.ai/catalog/standards/sist/610a5db8-3713-4b65-a635-5e57b55bd362/iso-2010-1983</p>									
2,5	2,3	2,7										
3	2,8	3,2										
4	3,7	4,3										
5	4,7	5,3										
6	5,7	6,3										
8	7,7	8,3										
10	9,7	10,3										
12	11,6	12,4										
(14)	13,6	14,4										
16	15,6	16,4										
20	19,6	20,4										
25	24,6	25,4										
30	29,6	30,4										
35	34,5	35,5										
40	39,5	40,5										
45	44,5	45,5										
50	49,5	50,5										
(55)	54	56										
60	59	61										
(65)	64	66										
70	69	71										
(75)	74	76										
80	79	81										

- 1) Sizes in brackets should be avoided if possible.
- 2) *P* = pitch of the thread.
- 3) See ISO 7721.
- 4) Min. and max. values according to ISO 4759/1 but rounded to one decimal place.
- 5) Screws with nominal lengths above the stepped line, marked thus — — —, are threaded up to the head [$b = l - (k + a)$].

4 Specifications and reference International Standards

Material		Steel	Stainless steel	Non-ferrous metal
Thread	Tolerance	6g		
	International Standards	ISO 261, ISO 965		
Mechanical properties	Property class	4.8 ¹⁾ , 5.8 ¹⁾	A2 - 70, A2 - 50	2)
	International Standards	ISO 898/1	ISO 3506	
Tolerances	Product grade	A		
	International Standard	ISO 4759/1		
Finish		Plain Requirements for electroplating are covered in ISO 4042. If different electroplating requirements are desired or if requirements are needed for other finishes, they should be negotiated between supplier and customer.		
Acceptability		The acceptance procedure is covered in ISO 3269.		

1) Max. hardness 255 HV permissible.

2) Will be covered in a future International Standard.

5 Designation

Example for the designation of a slotted raised countersunk head screw with thread size $d = M5$, nominal length $l = 20$ mm and property class 4.8:

Raised countersunk head screw ISO 2010 - M5 x 20 - 4.8

<https://standards.iteh.ai/catalog/standards/sist/b10a5db8-3713-4b65-a635-5e57b55bd362/iso-2010-1983>
 ISO 2010:1983

iTeh STANDARD PREVIEW
(standards.iteh.ai)

ISO 2010:1983

<https://standards.iteh.ai/catalog/standards/sist/b10a5db8-3713-4b65-a635-5e57b55bd362/iso-2010-1983>

iTeh STANDARD PREVIEW
(standards.iteh.ai)

ISO 2010:1983

<https://standards.iteh.ai/catalog/standards/sist/b10a5db8-3713-4b65-a635-5e57b55bd362/iso-2010-1983>