



SLOVENSKI STANDARD
oSIST prEN ISO 19403-3:2019
01-julij-2019

Barve in laki - Omočljivost - 3. del: Določevanje površinske napetosti tekočin s kapljično metodo (ISO 19403-3:2017)

Paints and varnishes - Wettability - Part 3: Determination of the surface tension of liquids using the pendant drop method (ISO 19403-3:2017)

Beschichtungsstoffe - Benetzbarkeit - Teil 3: Bestimmung der Oberflächenspannung von Flüssigkeiten mit der Methode des hängenden Tropfens (ISO 19403-3:2017)

Peintures et vernis - Mouillabilité - Partie 3: Détermination de la tension superficielle des liquides par la méthode de la goutte pendante (ISO 19403-3:2017)

Ta slovenski standard je istoveten z: prEN ISO 19403-3

ICS:

87.040 Barve in laki Paints and varnishes

oSIST prEN ISO 19403-3:2019 **en,fr,de**

INTERNATIONAL
STANDARD

ISO
19403-3

First edition
2017-06

Paints and varnishes — Wettability —

Part 3:

**Determination of the surface tension of
liquids using the pendant drop method**

Peintures et vernis — Mouillabilité —

*Partie 3: Détermination de la tension superficielle des liquides par la
méthode de la goutte pendante*

iTeh STANDARD PREVIEW
(standards.iteh.ai)

SIST EN ISO 19403-3:2020

<https://standards.iteh.ai/catalog/standards/sist/b2c609f2-f933-4b11-b7cf-6006a328323f/sist-en-iso-19403-3-2020>



Reference number
ISO 19403-3:2017(E)

© ISO 2017

iTeh STANDARD PREVIEW (standards.iteh.ai)

SIST EN ISO 19403-3:2020

<https://standards.iteh.ai/catalog/standards/sist/b2c609f2-f933-4b11-b7cf-6006a328323f/sist-en-iso-19403-3-2020>



COPYRIGHT PROTECTED DOCUMENT

© ISO 2017, Published in Switzerland

All rights reserved. Unless otherwise specified, no part of this publication may be reproduced or utilized otherwise in any form or by any means, electronic or mechanical, including photocopying, or posting on the internet or an intranet, without prior written permission. Permission can be requested from either ISO at the address below or ISO's member body in the country of the requester.

ISO copyright office
Ch. de Blandonnet 8 • CP 401
CH-1214 Vernier, Geneva, Switzerland
Tel. +41 22 749 01 11
Fax +41 22 749 09 47
copyright@iso.org
www.iso.org

Contents	Page
Foreword	iv
1 Scope	1
2 Normative references	1
3 Terms and definitions	1
4 Principle	1
5 Apparatus and materials	1
6 Sampling	3
7 Procedure	3
7.1 General.....	3
7.1.1 Setting up the drop contour analysis device.....	3
7.1.2 Test conditions.....	4
7.2 Determination of the surface tension of the liquid.....	4
7.2.1 Preparations.....	4
7.2.2 Procedure.....	4
8 Evaluation	4
9 Precision	5
9.1 General.....	5
9.2 Repeatability limit, r	5
9.3 Reproducibility limit, R	5
10 Test report	5
Annex A (informative) Density of test liquids	7
Annex B (informative) Shape parameter, B	8
Annex C (informative) Details of an interlaboratory test	9
Bibliography	12

ISO 19403-3:2017(E)

Foreword

ISO (the International Organization for Standardization) is a worldwide federation of national standards bodies (ISO member bodies). The work of preparing International Standards is normally carried out through ISO technical committees. Each member body interested in a subject for which a technical committee has been established has the right to be represented on that committee. International organizations, governmental and non-governmental, in liaison with ISO, also take part in the work. ISO collaborates closely with the International Electrotechnical Commission (IEC) on all matters of electrotechnical standardization.

The procedures used to develop this document and those intended for its further maintenance are described in the ISO/IEC Directives, Part 1. In particular the different approval criteria needed for the different types of ISO documents should be noted. This document was drafted in accordance with the editorial rules of the ISO/IEC Directives, Part 2 (see www.iso.org/directives).

Attention is drawn to the possibility that some of the elements of this document may be the subject of patent rights. ISO shall not be held responsible for identifying any or all such patent rights. Details of any patent rights identified during the development of the document will be in the Introduction and/or on the ISO list of patent declarations received (see www.iso.org/patents).

Any trade name used in this document is information given for the convenience of users and does not constitute an endorsement.

For an explanation on the voluntary nature of standards, the meaning of ISO specific terms and expressions related to conformity assessment, as well as information about ISO's adherence to the World Trade Organization (WTO) principles in the Technical Barriers to Trade (TBT) see the following URL: www.iso.org/iso/foreword.html.

This document was prepared by Technical Committee ISO/TC 35, *Paints and varnishes*, Subcommittee SC 9, *General test methods for paints and varnishes*.

A list of all parts in the ISO 19403 series can be found on the ISO website.

Paints and varnishes — Wettability —

Part 3:

Determination of the surface tension of liquids using the pendant drop method

1 Scope

This document specifies a test method to measure the surface tension of liquids with an optical method using the pendant drop. The method can be applied for the characterization of liquid coating materials. The applicability can be restricted for liquids with non-Newtonian rheology¹⁾.

NOTE For other methods to determine the surface tension, see e.g. EN 14370 and ISO 1409.

2 Normative references

The following documents are referred to in the text in such a way that some or all of their content constitutes requirements of this document. For dated references, only the edition cited applies. For undated references, the latest edition of the referenced document (including any amendments) applies.

ISO 2811 (all parts), *Paints and varnishes — Determination of density*

ISO 4618, *Paints and varnishes — Terms and definitions*

ISO 15528, *Paints, varnishes and raw materials for paints and varnishes — Sampling*

ISO 19403-1, *Paints and varnishes — Wettability — Part 1: Terminology and general principles*

3 Terms and definitions

For the purposes of this document, the terms and definitions given in ISO 4618 and ISO 19403-1 apply.

ISO and IEC maintain terminological databases for use in standardization at the following addresses:

- IEC Electropedia: available at <http://www.electropedia.org/>
- ISO Online browsing platform: available at <http://www.iso.org/obp>

4 Principle

One drop of the respective liquids to be tested is captured hanging from a needle, where the drop shall deviate significantly from the spherical shape due to its own mass. The surface tension is calculated from the shape of the pendant drop in accordance with the Young-Laplace equation.

The polar and disperse fractions of the surface tension can be determined with at least two methods, which are specified in ISO 19403-4 and ISO 19403-5.

5 Apparatus and materials

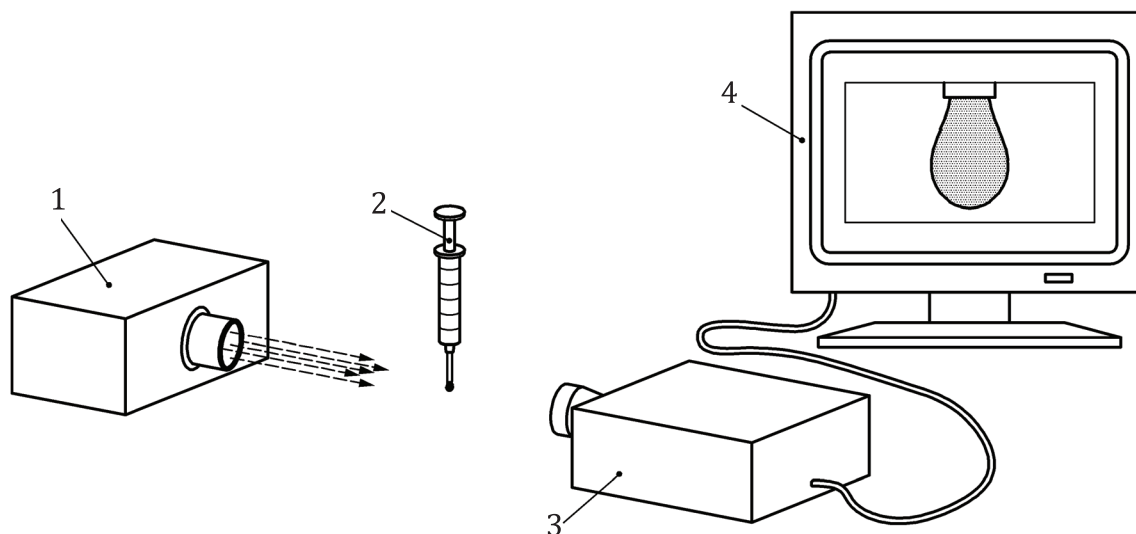
Ordinary laboratory apparatus, together with the following.

1) This term is defined in DIN 1342-1.

ISO 19403-3:2017(E)

5.1 Drop contour analysis system, for measuring the surface tension of pendant drops.

Any state-of-the-art drop contour analysis system with digital image capture and analysis. [Figure 1](#) shows a schematic example of a drop contour analysis system.



Key

- 1 light source
- 2 graduated micro syringe
- 3 optical system
- 4 screen

Figure 1 — Example of a drop contour analysis system

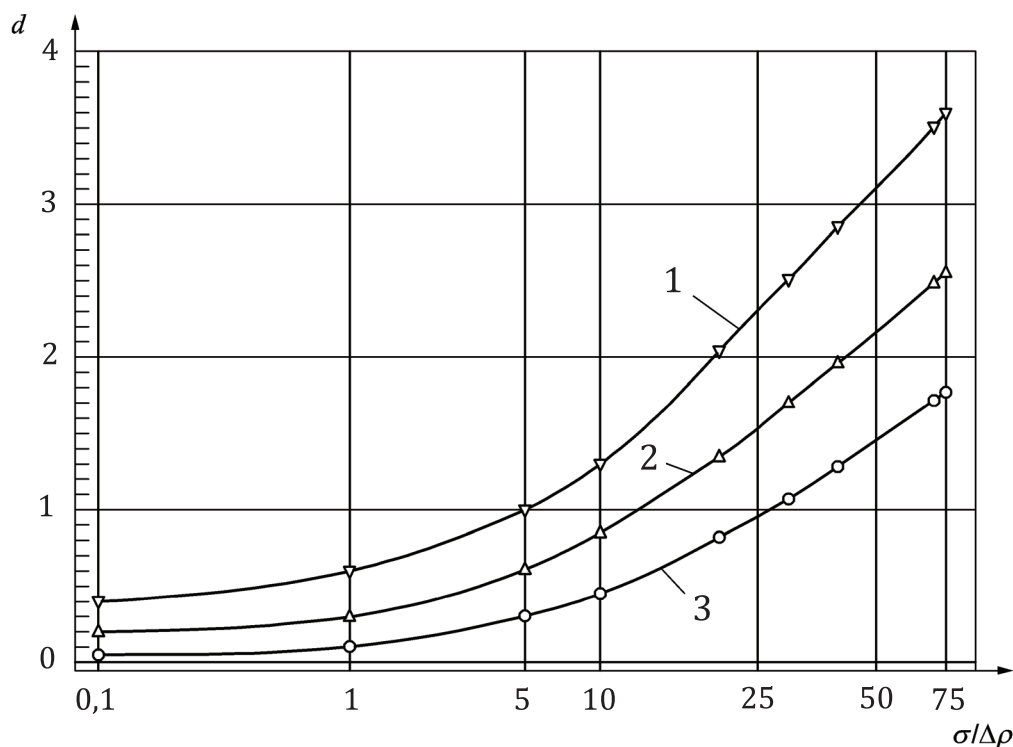
The image capturing system should be oriented in a way that the optimal image resolution ratio (ratio of width and height) can be used.

NOTE The device used can differ from the schematic diagram in regard to light path and the set-up of the components.

5.2 Dosing unit.

The dosing unit makes it possible to dose a pendant liquid drop, which deviates significantly from the spherical shape due to its own mass, on a circular-cylindrical needle with constant thickness within the detection area of the camera.

For measuring the surface tension on the pendant drop, usually a larger outside diameter of the needle is needed than for measuring the contact angle on the horizontal drop. The outside diameters of the needle used shall be in the range between 0,5 mm and 2,5 mm. The outside diameter of the needle to be chosen depends on the relationship between the surface tension, σ , and the density difference of the liquid to the ambient phase, $\Delta\rho$. The higher the quotient $\sigma/\Delta\rho$, the larger shall be the outside diameter of the needle. The dependence of the outside diameter of the needle, d , on the quotient of surface tension and density difference of the phases involved $\sigma/\Delta\rho$ is illustrated in [Figure 2](#).

**Key**

d outside diameter of the needle, in mm

$\sigma/\Delta\rho$ quotients from surface tension and density difference of the phases involved, in (mN/m)/g · cm⁻³

1 maximal outside diameter of the needle

2 optimal outside diameter of the needle

3 minimal outside diameter of the needle

Figure 2 — Diagram of the outside diameter of the needle, d , in dependence of the quotient from surface tension and density difference of the phases involved $\sigma/\Delta\rho$

6 Sampling

Take a representative sample of the liquid to be tested in accordance with ISO 15528.

7 Procedure

7.1 General

7.1.1 Setting up the drop contour analysis device

Choose the location of the drop contour analysis device, so that it is exposed to

- no vibrations,
- no intense air flows (e.g. caused by air conditioning), and
- no intense exposure to light from outside (e.g. windows, bright lighting).

Align the drop contour analysis device horizontally.

ISO 19403-3:2017(E)

Obtain the value of the local acceleration of gravity of the installation location and enter in the respective position of the manufacturer software.

7.1.2 Test conditions

Conduct the test at (23 ± 2) °C and a relative humidity of (50 ± 5) % (see ISO 3270) and make sure that all test media have this temperature.

7.2 Determination of the surface tension of the liquid

7.2.1 Preparations

In case it is not given, obtain the density of the liquid and ambient phase in accordance with a method of ISO 2811 series and calculate the density difference. For a selection of densities of frequently used test liquids, see [Table A.1](#).

Set up an image that is sufficient in regard to brightness and contrast (mind the specifications given by the manufacturer). If possible, set the light source of the drop contour analysis device so that the grey values within the drop close to the phase interface do not exceed the value 40 (referring to 256 grey value grades) and amount to between 170 and 200 on the outside of the drop.

NOTE It can be reasonable to test the modes of operation of the optical components by means of two-dimensional images of drops. Such reference images are commercially available.

Determine the outside diameter of the needle precisely to $\pm 0,005$ mm, e.g. by means of a micrometer in accordance with ISO 2808.

Move the needle to the upper margin of the image and bring the edges of the needle into focus. Set up the zoom of the drop contour analysis device so that the outside diameter of the needle takes up at least one eighth of the width of the image, refocus if necessary.

Fill the dosing system with the liquid to be tested. Pay attention to fill without contamination or bubbles.

7.2.2 Procedure

Produce a preferably large pendant drop.

NOTE In order to avoid movements of the pendant drop due to air flows, the drop can be positioned in an appropriate optical cell. In order to reduce changes in concentration due to evaporation, the optical cell can be filled in the lower part with the liquid to be tested.

After final focusing/zooming, carry out the length calibration of the imaging device. Update the lighting, if necessary.

Do not change the zoom and focus after this determination of scale.

Capture an image of the pendant drop with a drop contour appropriate for the evaluation in accordance with [Annex B](#).

It is recommended to save the original image for traceability reasons.

Repeat measuring on at least two more drops of the same liquid.

8 Evaluation

For the evaluation, the theoretical approach in accordance with Young-Laplace, which is specified in ISO 19403-1, is valid. For the practical procedure, it is recommended to use the software supplied by the manufacturers of the devices^[10]. With this software, the mathematical model, which is the basis of the evaluation, is adapted to the contour of the drop. An axially symmetric contour of the drop is a mandatory precondition for the evaluation.