



SLOVENSKI STANDARD
SIST EN 1176-6:2018+AC:2019
01-april-2019

Oprema in podloge otroških igrišč - 6. del: Dodatne posebne varnostne zahteve in preskusne metode za oporne gugalnice

Playground equipment and surfacing - Part 6: Additional specific safety requirements and test methods for rocking equipment

Spielplatzgeräte und Spielplatzböden - Teil 6: Zusätzliche besondere sicherheitstechnische Anforderungen und Prüfverfahren für Wippgeräte

Équipements et sols d'aires de jeux - Partie 6 : Exigences de sécurité et méthodes d'essai complémentaires spécifiques aux équipements oscillants

<https://standards.iteh.ai/catalog/standards/sist/2b03bbc5-0999-4b7a-8c4b-cf6eeb4a0132/sist-en-1176-6-2018ac-2019>

Ta slovenski standard je istoveten z: EN 1176-6:2017+AC:2019

ICS:

97.200.40 Igrišča Playgrounds

SIST EN 1176-6:2018+AC:2019 en,fr,de

iTeh STANDARD PREVIEW
(standards.iteh.ai)

SIST EN 1176-6:2018+AC:2019

<https://standards.iteh.ai/catalog/standards/sist/2b03bbc5-0999-4b7a-8c4b-cf6eeb4a0132/sist-en-1176-6-2018ac-2019>

EUROPEAN STANDARD
NORME EUROPÉENNE
EUROPÄISCHE NORM

EN 1176-6:2017+AC

January 2019

ICS 97.200.40

Supersedes EN 1176-6:2017

English Version

Playground equipment and surfacing - Part 6: Additional specific safety requirements and test methods for rocking equipment

Équipements et sols d'aires de jeux - Partie 6:
Exigences de sécurité et méthodes d'essai
complémentaires spécifiques aux équipements
oscillants

Spielplatzgeräte und Spielplatzböden - Teil 6:
Zusätzliche besondere sicherheitstechnische
Anforderungen und Prüfverfahren für Wippgeräte

This European Standard was approved by CEN on 15 April 2016 and includes the Corrigendum issued by CEN on 9 January 2019.

CEN members are bound to comply with the CEN/CENELEC Internal Regulations which stipulate the conditions for giving this European Standard the status of a national standard without any alteration. Up-to-date lists and bibliographical references concerning such national standards may be obtained on application to the CEN-CENELEC Management Centre or to any CEN member.

This European Standard exists in three official versions (English, French, German). A version in any other language made by translation under the responsibility of a CEN member into its own language and notified to the CEN-CENELEC Management Centre has the same status as the official versions.

CEN members are the national standards bodies of Austria, Belgium, Bulgaria, Croatia, Cyprus, Czech Republic, Denmark, Estonia, Finland, Former Yugoslav Republic of Macedonia, France, Germany, Greece, Hungary, Iceland, Ireland, Italy, Latvia, Lithuania, Luxembourg, Malta, Netherlands, Norway, Poland, Portugal, Romania, Serbia, Slovakia, Slovenia, Spain, Sweden, Switzerland, Turkey and United Kingdom.



EUROPEAN COMMITTEE FOR STANDARDIZATION
COMITÉ EUROPÉEN DE NORMALISATION
EUROPÄISCHES KOMITEE FÜR NORMUNG

CEN-CENELEC Management Centre: Rue de la Science 23, B-1040 Brussels

Contents	Page
European foreword.....	3
1 Scope.....	5
2 Normative references.....	5
3 Terms and definitions.....	5
4 Safety requirements.....	11
4.1 General.....	11
4.2 Free height of fall.....	11
4.3 Seat/stand slope.....	11
4.4 Pinch, crush.....	11
4.5 Restraint of motion.....	11
4.6 Foot rests.....	11
4.7 Hand supports.....	11
4.8 Side view profiles.....	12
4.9 Entrapment.....	12
4.10 Falling space.....	12
4.11 Anchor covering.....	13
5 Additional type requirements.....	14
5.1 Axial seesaw (Type 1).....	14
5.2 Multi point seesaw/rocking equipment (Type 3A).....	15
5.3 Rocking seesaw (Type 4).....	15
5.4 Overhead single axis seesaw (Type 6).....	15
5.5 Forced movement.....	16
6 Test reports.....	16
7 Marking.....	16
Annex A (informative) Guidance for assessing the safety of rocking equipment other than Types 1 to 6.....	17
Annex B (normative) Determination of seat/stand slope and ground clearance.....	18
Annex C (normative) Determination of freedom from pinch and crush points.....	19
Annex D (normative) Determination of sideways stability.....	20
Annex E (normative) Determination of hand support and/or foot rest projection.....	21

European foreword

This document (EN 1176-6:2017+AC:2019) has been prepared by Technical Committee CEN/TC 136 “Sports, playground and other recreational facilities and equipment”, the secretariat of which is held by DIN.

This European Standard shall be given the status of a national standard, either by publication of an identical text or by endorsement, at the latest by April 2018, and conflicting national standards shall be withdrawn at the latest by October 2018.

Attention is drawn to the possibility that some of the elements of this document may be the subject of patent rights. CEN shall not be held responsible for identifying any or all such patent rights.

This document includes Corrigendum 1 issued by CEN on 9 January 2019.

This document supersedes AC EN 1176-6:2017 AC.

This document includes the corrigendum 1 which changes the places of Figure 6 and 7.

The start and finish of text introduced or altered by corrigendum is indicated in the text by tags AC AC.

This European Standard EN 1176 “Playground equipment and surfacing” consists of a number of parts as follows:

- *Part 1: General safety requirements and test methods*
- *Part 2: Additional specific safety requirements and test methods for swings*
- *Part 3: Additional specific safety requirements and test methods for slides*
- *Part 4: Additional specific safety requirements and test methods for cableways*
- *Part 5: Additional specific safety requirements and test methods for carousels*
- *Part 6: Additional specific safety requirements and test methods for rocking equipment*
- *Part 7: Guidance on installation, inspection, maintenance and operation*
- *Part 10: Additional specific safety requirements and test methods for fully enclosed play equipment*
- *Part 11: Additional specific safety requirements and test methods for spatial network*

This part of EN 1176 is to be used in conjunction with EN 1176-1, EN 1176-7 and EN 1177.

For inflatable play equipment see EN 14960, *Inflatable play equipment — Safety requirements and test methods*.

The principal changes from the previous edition of this part of EN 1176 are as follows:

- a) type 2, 3 and 4 is not classified as a forced movement equipment;
- b) rocking equipment provided for standing use the falling space shall be at least 1,5 m.

EN 1176-6:2017+AC:2019 (E)

According to the CEN/CENELEC Internal Regulations, the national standards organizations of the following countries are bound to implement this European Standard: Austria, Belgium, Bulgaria, Croatia, Cyprus, Czech Republic, Denmark, Estonia, Finland, Former Yugoslav Republic of Macedonia, France, Germany, Greece, Hungary, Iceland, Ireland, Italy, Latvia, Lithuania, Luxembourg, Malta, Netherlands, Norway, Poland, Portugal, Romania, Serbia, Slovakia, Slovenia, Spain, Sweden, Switzerland, Turkey and the United Kingdom.

iTeh STANDARD PREVIEW (standards.iteh.ai)

[SIST EN 1176-6:2018+AC:2019](https://standards.iteh.ai/catalog/standards/sist/2b03bbc5-0999-4b7a-8c4b-cf6eeb4a0132/sist-en-1176-6-2018ac-2019)

<https://standards.iteh.ai/catalog/standards/sist/2b03bbc5-0999-4b7a-8c4b-cf6eeb4a0132/sist-en-1176-6-2018ac-2019>

1 Scope

This document is applicable to rocking equipment which is used as playground equipment for children, as defined in 3.1. Where the main play function is not rocking, the relevant requirements in this document may be used, as appropriate.

This document specifies additional safety requirements and test methods for seesaws and rocking equipment intended for permanent installation for use by children.

It is intended to provide protection to the user against possible hazards during use.

NOTE Guidance for assessing the safety of other forms of seesaw/rocking equipment is given in informative Annex A.

2 Normative references

The following documents, in whole or in part, are normatively referenced in this document and are indispensable for its application. For dated references, only the edition cited applies. For undated references, the latest edition of the referenced document (including any amendments) applies.

EN 1176-1:2017, *Playground equipment and surfacing — Part 1: General safety requirements and test methods*

3 Terms and definitions

For the purposes of this document, the terms and definitions given in EN 1176-1 and the following apply.

3.1

rocking equipment

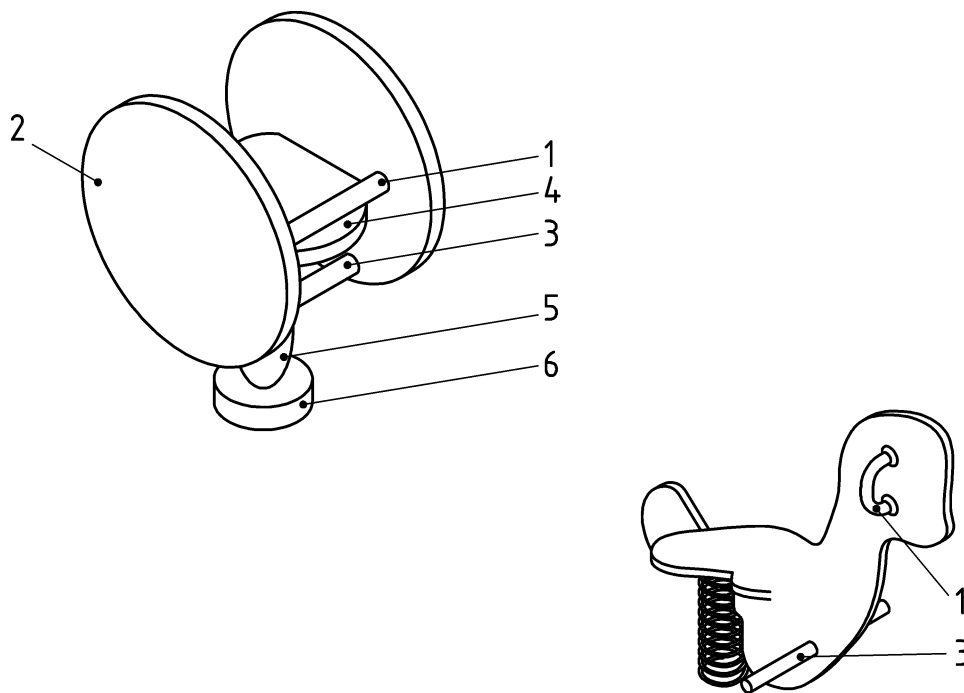
seesaw (hereinafter referred to as **equipment**)

equipment that can be set in motion by the user and is generally characterized by a rigid element that rocks about a central support

Note 1 to entry: The equipment can have one or several seats or stands.

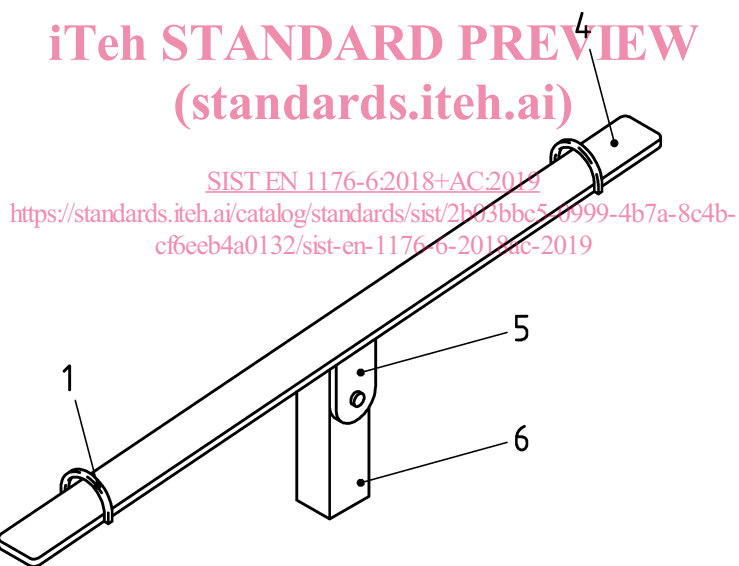
Note 2 to entry: Figure 1a) shows the principle components for rocking equipment. Figure 1b) shows the principle components for seesaws.

Note 3 to entry: The seesaw/rocking movement depends on the type and configuration of fixture (see Figures 2 to 7).



a) Rocking equipment

iTeh STANDARD PREVIEW
(standards.iteh.ai)



b) Seesaw

Key

- 1 hand support
- 2 body
- 3 foot rest

- 4 seat/stand
- 5 supporting component
- 6 anchorage

Figure 1 — Principal components for rocking equipment/seesaw

3.2**axial seesaw (Type 1)**

equipment in which only vertical movement can take place

Note 1 to entry: See Figure 2.

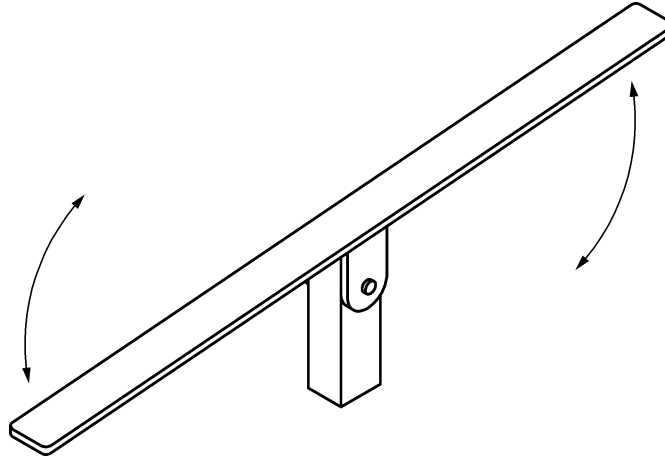


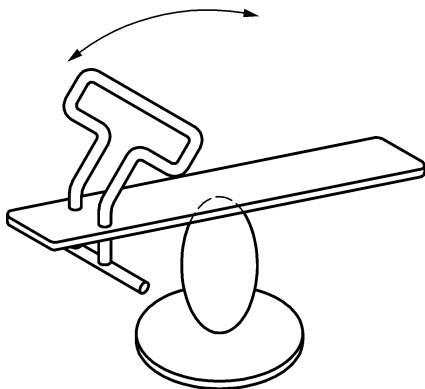
Figure 2 — Example of an axial seesaw (Type 1)

3.3**single point seesaw****single point rocking equipment (Type 2A and 2B)**

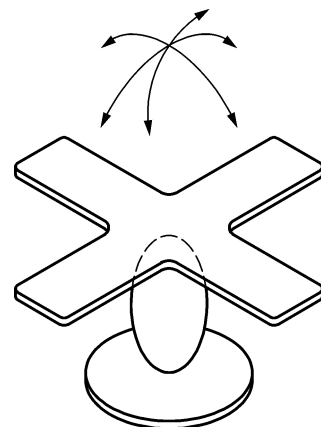
equipment with a single point supporting component

Note 1 to entry: See Figure 3.

Note 2 to entry: Typical single point supporting components include: coils, springs, torsion and compression blocks.



a) Type 2A with predetermined main direction of movement



b) Type 2B with multi-directional movement

Figure 3 — Examples of single point seesaw/rocking equipment (Types 2A and 2B)

EN 1176-6:2017+AC:2019 (E)

3.4
multi point seesaw
multi point rocking equipment (Types 3A and 3B)
 equipment with several supporting components

Note 1 to entry: See Figure 4.

Note 2 to entry: The movement depends upon the placement and type of supporting components.

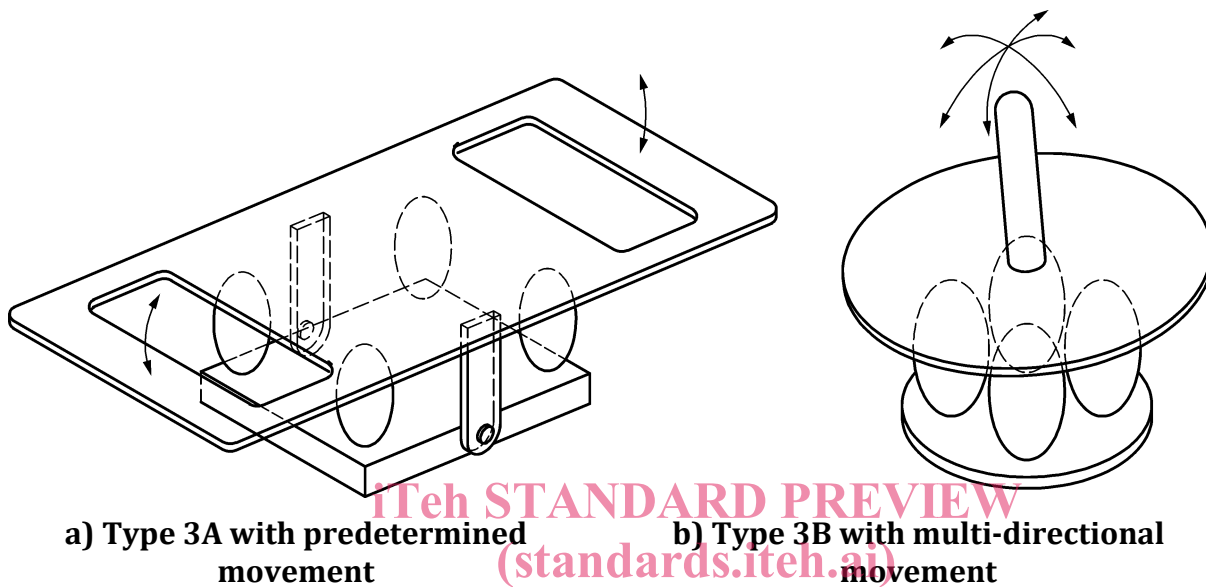


Figure 4 — Examples of multi point seesaw (Types 3A and 3B)

<https://standards.iteh.ai/catalog/standards/sist/2b03bbc5-0999-4b7a-8c4b-cf6ceb4a0132/sist-en-1176-6-2018ac-2019>

3.5
rocking seesaw (Type 4)

equipment that is fixed so that the movement, which is mainly horizontal, is guided by several parallel axes and moves in one (to fro) direction only

Note 1 to entry: See Figure 5.

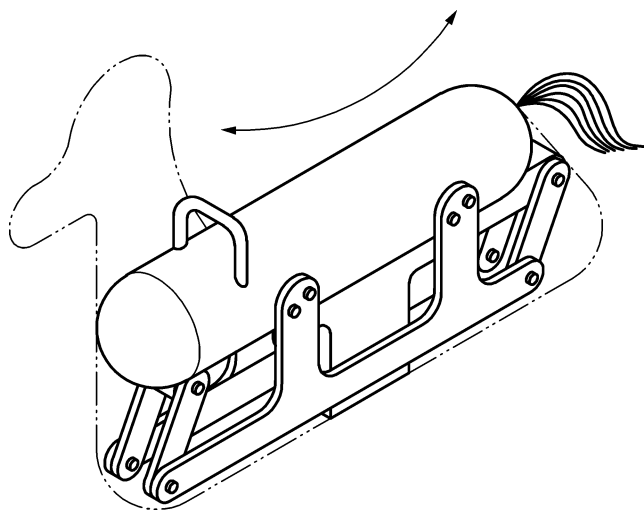


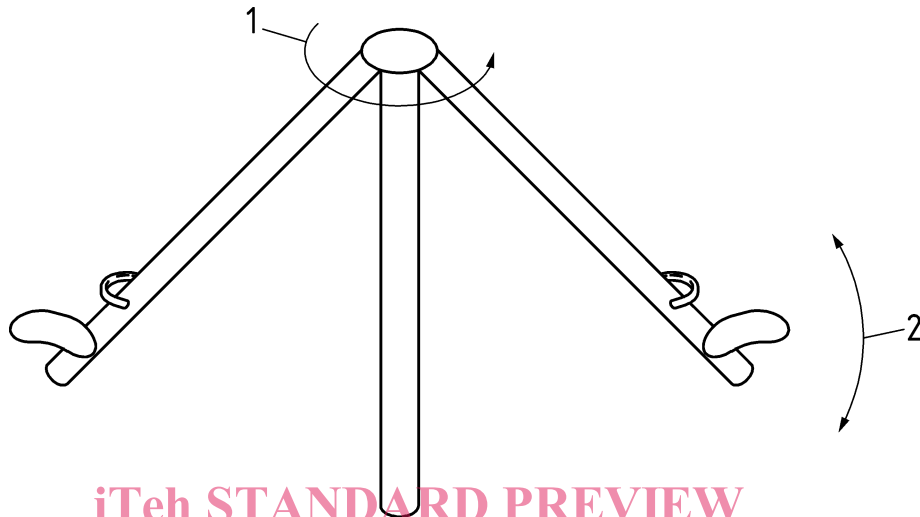
Figure 5 — Example of a rocking seesaw (Type 4)

3.6**sweeping seesaw supported above the users position (Type 5)**

equipment in which both vertical and horizontal movement takes place (multi directional), which may result in a sweeping motion

Note 1 to entry: See Figure 6.

AC



iTeh STANDARD PREVIEW
(standards.iteh.ai)

AC

Key

- 1 circular movement around central post
2 rocking movement
- [SIST EN 1176-6:2018+AC:2019
https://standards.iteh.ai/catalog/standards/sist/2b03bbc5-0999-4b7a-8c4b-cf6ceb4a0132/sist-en-1176-6-2018ac-2019](https://standards.iteh.ai/catalog/standards/sist/2b03bbc5-0999-4b7a-8c4b-cf6ceb4a0132/sist-en-1176-6-2018ac-2019)

Figure 6 — Example of a sweeping seesaw supported above the users position (Type 5)