



# SLOVENSKI STANDARD

## SIST EN 35:2002

01-december-2002

BUXca Yý U

SIST EN 35:1998

SIST EN 35:1998/A1:1998

---

6 ]XY'ý\_c`^\_Un'n[ cfb'ja `Xclc\_ca `E'Df]\_`'1 bY'a YfY

Pedestal bidets with over-rim supply - Connecting dimensions

Bodenstehende Sitzwaschbecken mit Zulauf von oben - Anschlußmaße

Bidets sur pied a alimentation par surverse - Cotes de raccordement

Ta slovenski standard je istoveten z: **EN 35:2000**

### ICS:

91.140.70      Sanitarne naprave      Sanitary installations

**SIST EN 35:2002**      en

**iTeh STANDARD PREVIEW**  
**(standards.iteh.ai)**

SIST EN 35:2002

<https://standards.iteh.ai/catalog/standards/sist/cf7ff2c0-1c6d-413b-b9ca-3aa43631ee79/sist-en-35-2002>

**EUROPEAN STANDARD  
NORME EUROPÉENNE  
EUROPÄISCHE NORM**

EN 35

February 2000

ICS 91.140.70

Supersedes EN 35 : 1977  
and EN 35 : 1977/A1 : 1987.

English version

**Pedestal bidets with over-rim supply**  
Connecting dimensions

Bidets sur pied à alimentation par  
surverse – Cotes de raccordement

Bodenstehende Sitzwaschbecken mit  
Zulauf von oben – Anschlussmaße

This European Standard was approved by CEN on 1999-12-23.

CEN members are bound to comply with the CEN/CENELEC Internal Regulations which stipulate the conditions for giving this European Standard the status of a national standard without any alteration.

Up-to-date lists and bibliographical references concerning such national standards may be obtained on application to the Central Secretariat or to any CEN member. (standards.iteh.ai)

The European Standards exist in three official versions (English, French, German). A version in any other language made by translation under the responsibility of a CEN member into its own language and notified to the Central Secretariat has the same status as the official versions.

CEN members are the national standards bodies of Austria, Belgium, the Czech Republic, Denmark, Finland, France, Germany, Greece, Iceland, Ireland, Italy, Luxembourg, the Netherlands, Norway, Portugal, Spain, Sweden, Switzerland, and the United Kingdom.

**CEN**

European Committee for Standardization  
Comité Européen de Normalisation  
Europäisches Komitee für Normung

Central Secretariat: rue de Stassart 36, B-1050 Brussels

## Contents

<b>Foreword</b>	2
<b>1 Scope</b>	3
<b>2 Connecting dimensions</b>	3
2.1 Pedestal bidet for single-hole fitting	3
2.2 Pedestal bidet for three-hole fitting	4
<b>3 Waste outlet hole</b>	6

**Foreword**

This European Standard has been prepared by Technical Committee CEN/TC 163 "Sanitary appliances", the secretariat of which is held by UNI.

This European Standard replaces EN 35:1997 and EN 35:1977/A1:1987.

This European Standard shall be given the status of a national standard, either by publication of an identical text or by endorsement, at the latest by August 2000, and conflicting national standards shall be withdrawn at the latest by August 2000.

According to Resolution 5/1996 it has been decided that the revision of this European Standard will be progressed in parallel with the revision of EN 36.

This revised version considers new market trends and compared to the version of February 1977 includes the following amendments: Dimension  $g_s$  and 2.2 are added.

According to the CEN/CENELEC Internal Regulations, the national standards organizations of the following countries are bound to implement this European Standard: Austria, Belgium, Czech Republic, Denmark, Finland, France, Germany, Greece, Iceland, Ireland, Italy, Luxembourg, Netherlands, Norway, Portugal, Spain, Sweden, Switzerland and the United Kingdom.

## 1 Scope

This standard specifies the connecting dimensions of over-rim supply pedestal bidets, regardless of the materials used for their manufacture.

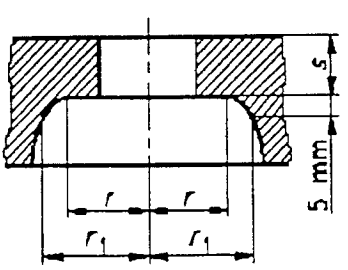
NOTE: Only the dimensions are compulsory. The shape of the appliance in the figures is for illustration only: it in no way prejudices the final shape of the appliance which is left to the initiative of the manufacturer.

## 2 Connecting dimensions

### 2.1 Pedestal bidet for single-hole fitting

The connecting dimensions of pedestal bidets for single-hole fittings shall comply with the dimensions given in Table 1.

Table 1 - Connecting dimensions of pedestal bidets for single-hole fittings (see Figure 1)

Designation	Symbol	Dimensions mm	
Diameter of the tap hole	$d_2$	$35^{+2}_{-1}$	
Horizontal distance from the centre line of the tap hole and the edge of the bowl	$g_1$	$\leq 80$	
Width of the flat plane of the tap platform from the centre of the tap hole to the back edge of the flat plane	$g_2$	$\geq 32$	
Distance from the centre line of the tap hole to the backwall	$g_3$	$\geq 55$	
	Radius of a cylinder having the same centre line as the tap hole of a depth 0 mm to 5 mm from the lower plane of the tap hole	$r$	$\geq 25$
	Radius of a cylinder having the same centre line as the tap hole of a depth of 5 mm min. from the lower plane of the tap hole	$r_1$	$\geq 30$
	Thickness of the tap platform at the level of the zone concentric to the tap hole	$s$	$\leq 18$
Horizontal distance between the centre line of the tap hole and the centre line of the waste outlet hole	$t$	$\leq 170$	

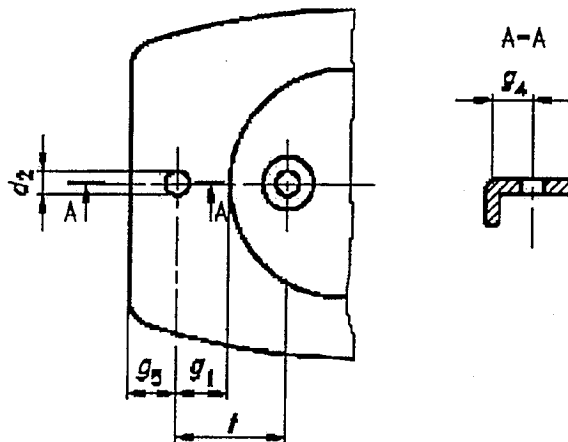


Figure 1 - Pedestal bidet for single-hole fitting

## 2.2 Pedestal bidet for three-hole fitting

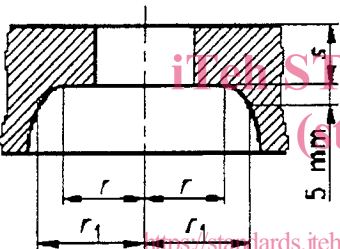
The connecting dimensions of pedestal bidets for three-hole fittings shall comply with the dimensions given in Table 2.

**iTeh STANDARD PREVIEW**  
**(standards.iteh.ai)**

SIST EN 35:2002

<https://standards.iteh.ai/catalog/standards/sist/cf7ff2c0-1c6d-413b-b9ca-3aa43631ee79/sist-en-35-2002>

Table 2 - Connecting dimensions of pedestal bidets for three-hole fittings (see Figure 2)

Designation	Symbol	Dimensions mm	
Diameter of external holes	$d_1$	$30^{+2}_0$	
Diameter of central hole	$d_2$	$35^{+2}_{-1}$	
Distance from the centre line of the central hole in the vertical plane passing through the centre line of the two external holes	$e$	0 to 15	
Distance between the centre line of the two external holes	$f$	$175 \pm 15$	
Horizontal distance between the centre line of the central hole and the edge of the bowl	$g_1$	$\leq 80$	
Width of the flat plane of the tap platform from the centre line of the central hole to the back edge of the flat plane	$g_4$	$\geq 32$	
Distance from the centre line of the central hole to the backwall	$g_5$	$\geq 55$	
	Radius of a cylinder having the same centre line as the tap hole of a depth of 0 mm to 5 mm from the lower plane of the tap hole	$r$	$\geq 25$
	Radius of a cylinder having the same centre line as the tap hole of a depth of 5 mm min. from the lower plane of the tap hole	$r_1$	$\geq 30$
	Thickness of the tap platform at the level of the zone concentric to the tap platform	$s$	$\leq 18$
	Horizontal distance between the centre line of the central hole and the centre line of the waste outlet hole	$t$	$\leq 170$

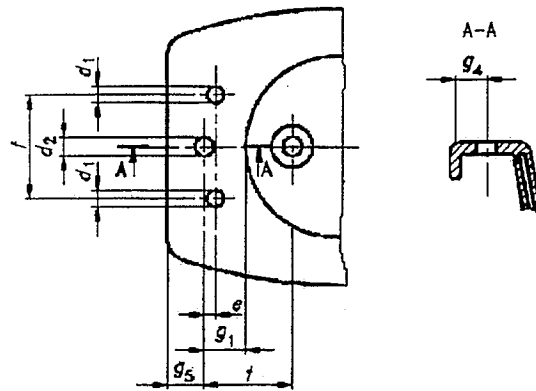


Figure 2 - Pedestal bidet for three-hole fitting

### 3 Waste outlet hole

The connecting dimensions of a waste outlet hole shall comply with the dimensions given in Table 3.

Table 3 - Connecting dimensions of a waste outlet hole (see Figure 3)

Designation	Symbol	Dimensions mm
Bore of waste outlet hole	$d_3$	$46^{+2}_{-3}$
Reference diameter	$d_4$	63
Diameter of the waste outlet hole	$d_5$	$\leq 75$
Diameter of the base for the seal between the waste outlet hole and the trap	$d_6$	$\geq 60$
Distance for appliance with overflow	$h$	$45^{+5}_0$
Distance between the reference diameter $d_4$ and the base for the seal	$h_1$	$45^{+0}_{-5}$
Vertical distance between the tap platform and the underside of the waste outlet hole	$p$	$\leq 250$
Distance between the underside of the waste outlet hole and the floor	$m$	$\geq 180$