



SLOVENSKI STANDARD
SIST EN 37:2000
01-november-2000

BUXca Yý U
SIST EN 37:1998

Glc`Y UgfUb]ý bUý_c`^_Ug'dfcgh]a `Xclc_ca `!`Df]`1 bY'a YfY

Pedestal WC pans with independent water supply - Connecting dimensions

Bodenstehende Klosettbecken mit freiem Zulauf - Anschlußmaße

Cuvettes de WC sur pied a chasse directe et alimentation indépendante - Cotes de raccordement

iTeh STANDARD PREVIEW
(standards.iteh.ai)

Ta slovenski standard je istoveten z: [SIST EN 37:2000](https://standards.iteh.ai/standards/SIST/EN/37/2000/016-5653-466c-808c-24e71494a8dc/sist-en-37-2000) **EN 37:1998**

ICS:

91.140.70 Sanitarne naprave Sanitary installations

SIST EN 37:2000 **en**

iTeh STANDARD PREVIEW
(standards.iteh.ai)

SIST EN 37:2000

<https://standards.iteh.ai/catalog/standards/sist/19a031d6-5653-466c-808c-24e71494a8dc/sist-en-37-2000>

EUROPEAN STANDARD

EN 37

NORME EUROPÉENNE

EUROPÄISCHE NORM

November 1999

ICS 91.140.70

Supersedes EN 37:1979

Descriptors: sanitary appliances, W.C. pans, suspended elements, dimensions, connecting dimensions

English version

Pedestal W.C. pans with independent water supply - Connecting dimensions

Cuvettes de W.-C. sur pied à chasse directe et alimentation indépendante - Cotes de raccordement

Bodenstehende Klosettbecken mit freiem Zulauf - Anschlußmaße

This European Standard was approved by CEN on 12 November 1998.

CEN members are bound to comply with the CEN/CENELEC Internal Regulations which stipulate the conditions for giving this European Standard the status of a national standard without any alteration. Up-to-date lists and bibliographical references concerning such national standards may be obtained on application to the Central Secretariat or to any CEN member.

This European Standard exists in three official versions (English, French, German). A version in any other language made by translation under the responsibility of a CEN member into its own language and notified to the Central Secretariat has the same status as the official versions.

CEN members are the national standards bodies of Austria, Belgium, Czech Republic, Denmark, Finland, France, Germany, Greece, Iceland, Ireland, Italy, Luxembourg, Netherlands, Norway, Portugal, Spain, Sweden, Switzerland and United Kingdom.

[SIST EN 37:2000](https://standards.iteh.ai/catalog/standards/sist/19a031d6-5653-466c-808c-24e71494a8dc/sist-en-37-2000)

<https://standards.iteh.ai/catalog/standards/sist/19a031d6-5653-466c-808c-24e71494a8dc/sist-en-37-2000>



EUROPEAN COMMITTEE FOR STANDARDIZATION
COMITÉ EUROPÉEN DE NORMALISATION
EUROPAISCHES KOMITEE FÜR NORMUNG
EUROPAISCHES INSTITUT FÜR STANDARDISIERUNG

Central Secretariat: rue de Stassart, 36 B-1050 Brussels

Contents

	Page
Foreword	3
1 Scope	4
2 Connecting dimensions	4
2.1 Inlets of pedestal W.C. pans	4
2.2 Outlets of pedestal W.C. pans	4
3 Fixing dimensions for the seat	6

iTeh STANDARD PREVIEW
(standards.iteh.ai)

SIST EN 37:2000

<https://standards.iteh.ai/catalog/standards/sist/19a031d6-5653-466c-808c-24e71494a8dc/sist-en-37-2000>



Foreword

This European Standard has been prepared by Technical Committee CEN/TC 163 "Sanitary appliances", the secretariat of which is held by UNI.

This European Standard replaces EN 37:1979.

This European Standard shall be given the status of a national standard, either by publication of an identical text or by endorsement, at the latest by May 1999, and conflicting national standards shall be withdrawn at the latest by May 1999.

This revised version considers new market trends and compared to the version of June 1989 includes the following amendments: Cancellation of W.C. pan with exposed S-trap and W.C. pan with concealed S-trap with extended spigot and also the external inlet of the W.C. pans. Inclusion of W.C. pan with concealed horizontal outlet and revision of the connecting dimensions.

According to the CEN/CENELEC Internal Regulations, the national standards organizations of the following countries are bound to implement this European Standard: Austria, Belgium, Czech Republic, Denmark, Finland, France, Germany, Greece, Iceland, Ireland, Italy, Luxembourg, Netherlands, Norway, Portugal, Spain, Sweden, Switzerland and the United Kingdom.

iTeh STANDARD PREVIEW (standards.iteh.ai)

SIST EN 37:2000

<https://standards.iteh.ai/catalog/standards/sist/19a031d6-5653-466c-808c-24e71494a8dc/sist-en-37-2000>

1 Scope

This standard specifies the connecting dimensions of pedestal W.C. pans with independent water supply having an exposed outlet on the horizontal or vertical axis or a concealed outlet, regardless of the materials used for their manufacture.

This standard does not apply to siphonic action W.C. pans.

NOTE: Only the dimensions are compulsory. The shape of the appliance in the figures is for illustration only; it in no way prejudices the final shape of the appliance which is left to the initiative of the manufacturer.

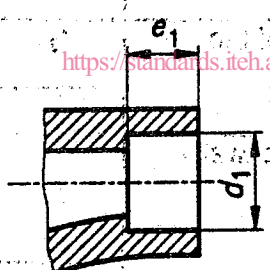
2 Connecting dimensions

2.1 Inlets of pedestal W.C. pans

The connecting dimensions of inlets of pedestal W.C. pans shall comply with the dimensions given in table 1:

Table 1: Connecting dimensions of inlets of pedestal W.C. pans

Designation	Symbol	Dimensions mm
Internal diameter of inlet	d_1	55^{+3}_{-1}
Depth of the internal cylindrical part in front of the shoulder	e_1	≥ 25
Distance from the centre line of the inlet to the base of the appliance	h	345^{+15}_{-25}



2.2 Outlets of pedestal W.C. pans

The connecting dimensions of outlets of pedestal W.C. pans shall comply with the dimensions given in tables 2 to 5.

Table 2: Basic connecting dimensions (see figure 1a), 1b), 2a), 2b), 3a) and 3b))

Designation	Symbol	Dimensions mm
External diameter of the outlet	d_5	102 ± 5
External cylindrical part of the outlet without grooves	i	≥ 40
Diameter of the free space around the outlet	k	≥ 150

Table 3: W.C. pans with horizontal outlet (see figures 1a) and 1b))

Designation	Symbol	Dimensions mm
Distance between the vertical planes of outlet and inlet	q	40 ± 20
	q ₁	20 ± 20
Distance between the centre line of the outlet and the base of the appliance		180 ⁺¹⁵ ₋₁₀

Table 4: W.C. pans with concealed vertical outlet
(see figures 2a) and 2b))

Designation	Symbol	Dimensions mm
Distance from the plane of the outlet to the base of the appliance	f ₂	≥ 10
Distance between the centre line of the outlet and the vertical plane of the inlet	q ₂	20 ± 20
	q ₃	30 ± 30

Table 5: W.C. pans with concealed horizontal outlet
(see figures 3a) and 3b))

Designation	Symbol	Dimensions mm
Distance from the vertical plane of the inlet to the backwall of the appliance	f ₃	≥ 15
	f ₄	≤ 45
Distance between the vertical plane of the outlet and the backwall of the appliance	q ₄	120 ± 25 or 15 ± 15
	q ₅	≤ 100
Distance between the centre line of the outlet and the base of appliance		180 ⁺¹⁵ ₋₁₀

Dimension (D)	Symbol	Dimensions
a ± 50	a ₀	
01 ± 5		
02 ± 5		

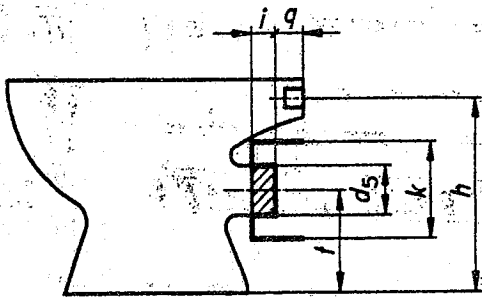


Figure 1a)

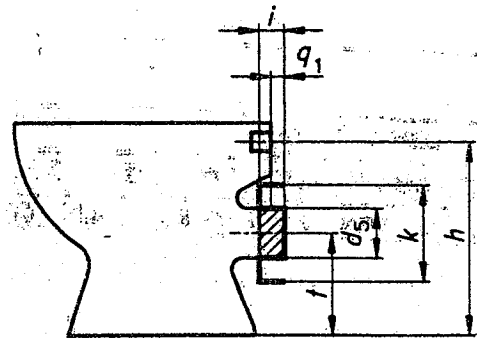


Figure 1b)

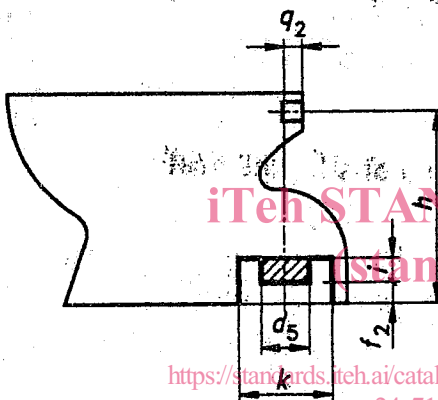


Figure 2a)

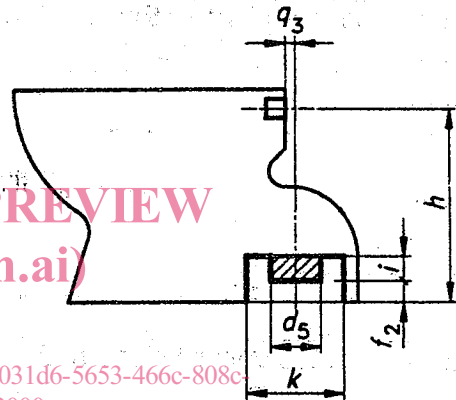


Figure 2b)

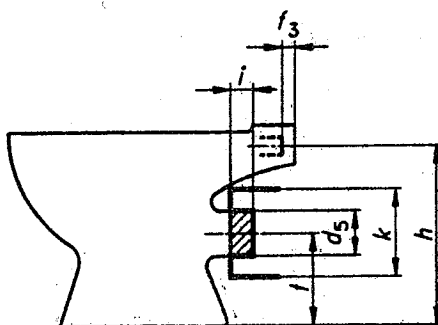


Figure 3a)

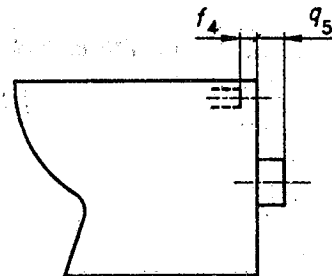


Figure 3b)

3 Fixing dimensions for the seat

The fixing dimensions for the seat shall comply with the dimensions given in table 6.