



SLOVENSKI STANDARD
SIST EN 111:2000

01-november-2000

BUXca Yý U

SIST EN 111:1998

SIST EN 111:1998/A1:1998

SIST EN 111:2003

AU]n]Xb]i a]j Ub]_'!Df]_`1 bY'a YfY

Wall-hung hand rinse basins - Connecting dimensions

Wandhängende Handwaschbecken - Anschlußmaße

Lave-mains suspendus - Cotes de raccordement

<https://standards.iteh.ai/catalog/standards/sist/af246a30-60b5-451d-b8fb-c927af86134b/sist-en-111-2000>

Ta slovenski standard je istoveten z: EN 111:1998

ICS:

91.140.70 Sanitarne naprave Sanitary installations

SIST EN 111:2000 **en**

iTeh STANDARD PREVIEW
(standards.iteh.ai)

SIST EN 111:2000

<https://standards.iteh.ai/catalog/standards/sist/af246a30-60b5-451d-b8fb-c927af86134b/sist-en-111-2000>

EUROPEAN STANDARD
NORME EUROPÉENNE
EUROPÄISCHE NORM

EN 111

November 1998

ICS 91.140.70

Supersedes EN 111:1984

Descriptors: sanitary appliances, hand rinse basins, suspended elements, dimensions, connecting dimensions

English version

Wall-hung hand rinse basins - Connecting dimensions

Lave-mains suspendus - Cotes de raccordement

Wandhängende Handwaschbecken - Anschlußmaße

This European Standard was approved by CEN on 12 November 1998.

CEN members are bound to comply with the CEN/CENELEC Internal Regulations which stipulate the conditions for giving this European Standard the status of a national standard without any alteration. Up-to-date lists and bibliographical references concerning such national standards may be obtained on application to the Central Secretariat or to any CEN member.

This European Standard exists in three official versions (English, French, German). A version in any other language made by translation under the responsibility of a CEN member into its own language and notified to the Central Secretariat has the same status as the official versions.

CEN members are the national standards bodies of Austria, Belgium, Czech Republic, Denmark, Finland, France, Germany, Greece, Iceland, Ireland, Italy, Luxembourg, Netherlands, Norway, Portugal, Spain, Sweden, Switzerland and United Kingdom.

(standards.iteh.ai)

SIST EN 111:2000

<https://standards.iteh.ai/catalog/standards/sist/af246a30-60b5-451d-b8fb-c927af86134b/sist-en-111-2000>



EUROPEAN COMMITTEE FOR STANDARDIZATION
COMITÉ EUROPÉEN DE NORMALISATION
EUROPÄISCHES KOMITEE FÜR NORMUNG

Central Secretariat: rue de Stassart, 36 B-1050 Brussels

Contents

	Page
Foreword	3
1 Scope	4
2 Connecting dimensions	4
2.1 Wall-hung hand rinse basin with one or two hole(s) for side tap(s)	4
2.2 Wall-hung hand rinse basin with one hole for central tap	5
3 Waste outlet hole	6
3.1 Waste outlet hole with overflow	6
3.2 Waste outlet hole without overflow	7

iTeh STANDARD PREVIEW
(standards.iteh.ai)

SIST EN 111:2000

<https://standards.iteh.ai/catalog/standards/sist/af246a30-60b5-451d-b8fb-c927af86134b/sist-en-111-2000>



Foreword

This European Standard has been prepared by Technical Committee CEN/TC 163 "Sanitary appliances", the secretariat of which is held by UNI.

This European Standard replaces EN 111:1984.

This European Standard shall be given the status of a national standard, either by publication of an identical text or by endorsement, at the latest by May 1999, and conflicting national standards shall be withdrawn at the latest by May 1999.

This revised version considers new market trends and compared to the version of June 1987 includes the following amendments: Dimension g_5 and clause 3.2 are added.

According to the CEN/CENELEC Internal Regulations, the national standards organizations of the following countries are bound to implement this European Standard: Austria, Belgium, Czech Republic, Denmark, Finland, France, Germany, Greece, Iceland, Ireland, Italy, Luxembourg, Netherlands, Norway, Portugal, Spain, Sweden, Switzerland and the United Kingdom.

iTeh STANDARD PREVIEW (standards.iteh.ai)

SIST EN 111:2000

<https://standards.iteh.ai/catalog/standards/sist/af246a30-60b5-451d-b8fb-c927af86134b/sist-en-111-2000>

1 Scope

This standard specifies the connecting dimensions of wall-hung hand rinse basins, regardless of materials used for their manufacture.

This standard does not apply to appliances of actual width of more than 530 mm.

NOTE: Only dimensions are compulsory. The shape of the appliance in the figures is for illustration only; it in no way prejudices the final shape of the appliance which is left to the initiative of the manufacturer.

2 Connecting dimensions

2.1 Wall-hung hand rinse basin with one or two hole(s) for side tap(s)

The connecting dimensions of wall-hung hand rinse basins with one or two hole(s) for side tap(s) shall comply with the dimensions given in table 1.

Table 1: Connecting dimensions of wall-hung hand rinse basins with one or two hole(s) for side tap(s) (see figure 1)

Designation		Symbol	Dimension mm
Diameter of the tap hole(s)		d_1^1	35^{+2}_{-1}
Shortest horizontal distance between the centre line of tap hole (s) and the edge of the bowl		g_2	≤ 65
Width of the flat plane of the tap platform from the centre line of the tap hole(s) to the back edge of the flat plane		g_4	≥ 32
Radius of a plane circular surface on tap platform having the same centre as the tap hole and intended to accommodate the tap		g_6	≥ 32
	Radius of a cylinder having the same centre line as the tap hole(s) of a depth of 0 mm to 5 mm from the lower plane of the tap hole	r	≥ 25
	Radius of a cylinder having the same centre line as the tap hole of a depth of min. 5 mm from the lower plane of the tap hole	r_1	≥ 30
	Thickness of the tap platform at the level of the zone concentric to the tap hole(s)	s	≤ 18
Horizontal distance between the centre line of the central hole and the centre line of the waste outlet hole		t	≤ 170
¹⁾ The diameter of 30^{+2}_0 is permissible in connection with $r \geq 22$ and $r_1 \geq 25$			

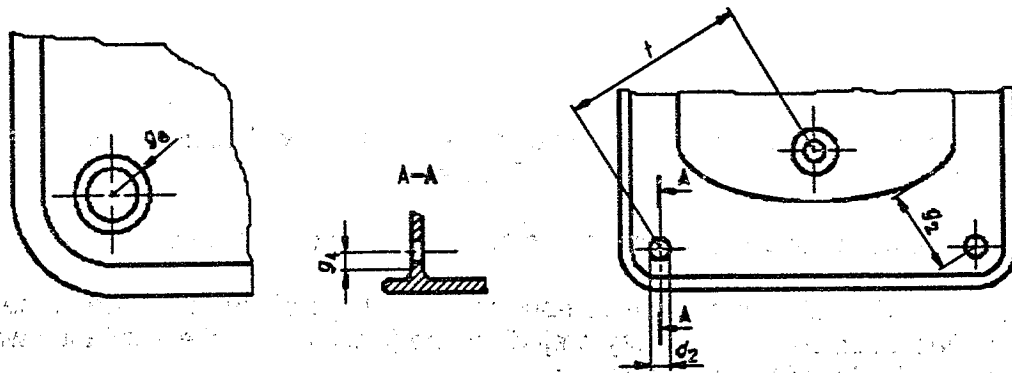


Figure 1: Wall-hung hand rinse basin with one or two hole(s) for side tap(s)

2.2 Wall-hung hand rinse basin with one hole for central tap

The connecting dimensions of wall-hung hand rinse basins with one hole for central tap shall comply with the dimensions given in table 2.

Table 2: Connecting dimensions of wall-hung hand rinse basins with one hole for central tap (see figure 2)

Designation		Symbol	Dimensions mm
Diameter of hole		d_2	$35 \begin{matrix} +2 \\ -1 \end{matrix}$
Horizontal distance between the centre line of the tap hole and the edge of the bowl		g_1	≤ 80
Width of the flat plane of the tap platform from the centre of the tap hole to the back edge of the flat plane		g_4	≥ 32
	Radius of a cylinder having the same centre line as the tap hole of a depth of 0 mm to 5 mm from the lower plane of the tap hole	r	≥ 25
	Radius of a cylinder having the same centre line as the tap hole of a depth of min. 5 mm from the lower plane of the tap hole	r_1	≥ 30
	Thickness of the tap platform at the level of the zone concentric to the tap hole	s	≤ 18
Horizontal distance between the centre line of the tap hole and the centre line of the waste outlet hole		t	≤ 170

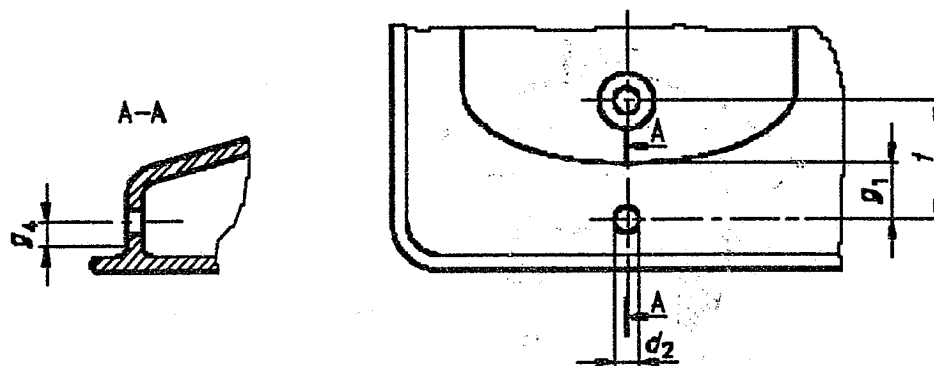


Figure 2: Wall-hung hand rinse basin with one hole for central tap

3 Waste outlet hole

3.1 Waste outlet hole with overflow

The connecting dimension of a waste outlet hole with overflow shall comply with the dimensions given in table 3.

Table 3: Connecting dimensions of a waste outlet hole with overflow
(see figure 3)

Designation	Symbol	Dimensions mm
Bore of the waste outlet hole	d_3	46^{+2}_{-3}
Reference diameter	d_4	63
Diameter of the waste outlet hole	d_5	≤ 75
Diameter of the base for the seal between the waste outlet hole and the trap	d_6	≥ 60
Height for appliance with an overflow	h	45^{+5}_0
Distance between the reference diameter d_4 and the base for the seal	h_1	45^0_{-5}
Vertical distance between the tap platform and the underside of the waste outlet hole	p	≤ 250