



**iTeh STANDARD PREVIEW**  
**(standards.iteh.ai)**

SIST ISO 6282:2020

<https://standards.iteh.ai/catalog/standards/sist/fl633780-e28b-4151-9b98-b292987730eb/sist-iso-6282-2020>

INTERNATIONAL  
STANDARD

ISO  
6282

Second edition  
2018-06

---

---

**Plain bearings — Metallic thin-walled  
half bearings — Determination of the  
 $\sigma_{0,01}^*$ -limit**

*Paliers lisses — Demi-coussinets minces métalliques — Détermination  
de la limite élastique  $\sigma_{0,01}^*$*

**iTeh STANDARD PREVIEW**  
**(standards.iteh.ai)**

[SIST ISO 6282:2020](https://standards.iteh.ai/catalog/standards/sist/fl633780-e28b-4151-9b98-b292987730eb/sist-iso-6282-2020)

[https://standards.iteh.ai/catalog/standards/sist/fl633780-e28b-4151-9b98-  
b292987730eb/sist-iso-6282-2020](https://standards.iteh.ai/catalog/standards/sist/fl633780-e28b-4151-9b98-b292987730eb/sist-iso-6282-2020)



Reference number  
ISO 6282:2018(E)

© ISO 2018

## iTeh STANDARD PREVIEW (standards.iteh.ai)

SIST ISO 6282:2020

<https://standards.iteh.ai/catalog/standards/sist/fl633780-e28b-4151-9b98-b292987730eb/sist-iso-6282-2020>



### **COPYRIGHT PROTECTED DOCUMENT**

© ISO 2018

All rights reserved. Unless otherwise specified, or required in the context of its implementation, no part of this publication may be reproduced or utilized otherwise in any form or by any means, electronic or mechanical, including photocopying, or posting on the internet or an intranet, without prior written permission. Permission can be requested from either ISO at the address below or ISO's member body in the country of the requester.

ISO copyright office  
CP 401 • Ch. de Blandonnet 8  
CH-1214 Vernier, Geneva  
Phone: +41 22 749 01 11  
Fax: +41 22 749 09 47  
Email: [copyright@iso.org](mailto:copyright@iso.org)  
Website: [www.iso.org](http://www.iso.org)

Published in Switzerland

# Contents

Page

Foreword .....	v
<b>1 Scope .....</b>	<b>1</b>
<b>2 Normative references .....</b>	<b>1</b>
<b>3 Terms and definitions .....</b>	<b>1</b>
<b>4 Apparatus .....</b>	<b>2</b>
<b>5 Preparation of test specimen .....</b>	<b>2</b>
<b>6 Procedure .....</b>	<b>2</b>
<b>7 Expression of results .....</b>	<b>3</b>
<b>Annex A (informative) Evaluation sheet for the determination of the <math>\sigma_{0,01}</math>*-limit of metallic thin-walled half bearings .....</b>	<b>4</b>
<b>Bibliography .....</b>	<b>5</b>

## iTeh STANDARD PREVIEW (standards.iteh.ai)

[SIST ISO 6282:2020](https://standards.iteh.ai/catalog/standards/sist/fl633780-e28b-4151-9b98-b292987730eb/sist-iso-6282-2020)

<https://standards.iteh.ai/catalog/standards/sist/fl633780-e28b-4151-9b98-b292987730eb/sist-iso-6282-2020>

## ISO 6282:2018(E)

### Foreword

ISO (the International Organization for Standardization) is a worldwide federation of national standards bodies (ISO member bodies). The work of preparing International Standards is normally carried out through ISO technical committees. Each member body interested in a subject for which a technical committee has been established has the right to be represented on that committee. International organizations, governmental and non-governmental, in liaison with ISO, also take part in the work. ISO collaborates closely with the International Electrotechnical Commission (IEC) on all matters of electrotechnical standardization.

The procedures used to develop this document and those intended for its further maintenance are described in the ISO/IEC Directives, Part 1. In particular the different approval criteria needed for the different types of ISO documents should be noted. This document was drafted in accordance with the editorial rules of the ISO/IEC Directives, Part 2 (see [www.iso.org/directives](http://www.iso.org/directives)).

Attention is drawn to the possibility that some of the elements of this document may be the subject of patent rights. ISO shall not be held responsible for identifying any or all such patent rights. Details of any patent rights identified during the development of the document will be in the Introduction and/or on the ISO list of patent declarations received (see [www.iso.org/patents](http://www.iso.org/patents)).

Any trade name used in this document is information given for the convenience of users and does not constitute an endorsement.

For an explanation on the voluntary nature of standards, the meaning of ISO specific terms and expressions related to conformity assessment, as well as information about ISO's adherence to the World Trade Organization (WTO) principles in the Technical Barriers to Trade (TBT) see the following URL: [www.iso.org/iso/foreword.html](http://www.iso.org/iso/foreword.html). (standards.iteh.ai)

This document was prepared by Technical Committee ISO/TC 123, *plain bearings*, Subcommittee SC 2, *Materials and lubricants, their properties, characteristics, test methods and testing conditions*.  
<https://standards.iteh.ai/catalog/standards/sist/fl633780-e28b-4151-9b98-1129f1770ed1/iso-6282-2018>

This second edition cancels and replaces the first edition (ISO 6282:1983), which has been technically revised. The main changes compared to the previous edition are as follows:

- The Scope has been revised.
- Clauses 3, 4, 5, and 6 have been revised.
- Figure 1 has been revised.

# Plain bearings — Metallic thin-walled half bearings — Determination of the $\sigma_{0,01}^*$ -limit

## 1 Scope

This document specifies a method of determining the  $\sigma_{0,01}^*$ -limit for the steel backing of thin-walled multilayer half bearings for bearing diameters up to 80 mm. It can also be used for bearing diameters up to 160 mm.

## 2 Normative references

There are no normative references in this document.

## 3 Terms and definitions

For the purposes of this document, the following terms and definitions apply.

ISO and IEC maintain terminological databases for use in standardization at the following addresses:

- IEC Electropedia: available at <http://www.electropedia.org/>
- ISO Online browsing platform: available at <https://www.iso.org/obp>

### 3.1

#### $\sigma_{0,01}^*$ -limit

compressive hoop stress in a half bearing which creates a permanent set of 0,01 %

Note 1 to entry: The  $\sigma_{0,01}^*$ -limit is different from the usual  $\sigma_{0,01}$ -limit as a result of the geometry of the test specimen and the method of application of the test load. In order to make the distinction, the  $\sigma_{0,01}$ -limit of half bearings is marked with an asterisk (\*).

### 3.2

#### compressive hoop stress of a half bearing

$F/S$

quotient of the normal load,  $F$ , applied to an area of cross-section,  $S$ , which is determined mathematically

Note 1 to entry:  $F$  is expressed in newtons (N),  $S$  is in square millimetres (mm<sup>2</sup>) and  $F/S$  is in megapascals (MPa), which equals newtons per square millimetre.

Note 2 to entry: The area of cross-section,  $S$ , is calculated as follows for the most common material combinations:

$S = L \cdot e_1$  for steel/lead alloys or steel/tin alloys

$$S = L \left( e_1 + \frac{e_2}{2} \right) \text{ for steel/copper alloys}$$

$$S = L \left( e_1 + \frac{e_2}{3} \right) \text{ for steel/aluminium alloys}$$

where

$L$  is the bearing width, in millimetres (mm);

$e_1$  is the thickness of the steel backing, in millimetres (mm);

$e_2$  is the thickness of the bearing metal layer, in millimetres (mm).

## ISO 6282:2018(E)

Note 3 to entry: If annular grooves and/or chamfers extend into the steel backing, then the cross-section of the steel backing is to be reduced correspondingly for the calculation.

Note 4 to entry: In the case of oil holes, the inclusion in the calculation should be subject to an agreement between manufacturer and user.

Note 5 to entry: Dependent upon the shape of the locating nick at the joint face and the extent to which the load is carried by it there may be an effect on the measured  $\sigma_{0,01}$ -limit.

### 4 Apparatus

**4.1** Pressure testing machine, with hydraulic or pneumatic application of load, equipped with a load indicator having an accuracy of  $\pm 1$  %, or better, of the end scale value, and a length measuring device.

**4.2** Master shell and checking block in accordance with [Figure 1](#).

The master shell shall have the same width as the half bearing to be tested, whereas the checking block may be wider.

NOTE This test equipment is also used for the determination of the peripheral length of thin-walled half bearings (see ISO 3548-3).

### 5 Preparation of test specimen

If possible, half bearings ready for mounting shall be tested. If the necessary test load cannot be applied by the test equipment, then the width of the half bearing is to be reduced correspondingly.

Any reduced width bearing should not include the locating nick.

The surface of the steel backing is to be clean. Excessive oiling or degreasing should be avoided as the presence of residual manufacturing lubricants should be sufficient to enable accurate measurement.

### 6 Procedure

**6.1** The measuring temperature should be between 20 and 25 °C. Therefore, it is important to ensure that the measuring equipment (including master shell) and test bearings are at the same temperature.

**6.2** Insert the checking block into the measuring equipment, line it up and secure it against lateral movement.

**6.3** Insert the master shell into the checking block and adjust the load to  $F_0$  to give a compressive stress of 100 MPa. Unload and remove the master shell.

**6.4** Insert the half bearing to be tested into the checking block, apply load  $F_0$  and adjust the length measuring device to read zero. Unload and remove the half bearing from the checking block.

NOTE The application of the load  $F_0$  is necessary to ensure the flexible half bearing conforms to the checking block.

**6.5** Insert the master shell into the checking block and adjust a load  $F_1$  which is greater than  $F_0$ . Unload and remove the master shell.

**6.6** Insert the half bearing into the checking block and adjust the load  $F_1$  for 10 s. Unload and remove the half bearing from the checking block.



**6.7** Insert the master shell into the checking block and apply the load  $F_0$ . Unload and remove the master shell.

**6.8** Insert the half bearing into the checking block and apply the load  $F_0$ . The reduction in the peripheral length of the half bearing, caused by the application of load  $F_1$  in accordance with 6.6, is indicated by the length measuring device. Unload and remove the half bearing from the checking block.

**6.9** Insert the master shell into the checking block and increase the load to  $F_2$  in accordance with 6.5 to 6.8. Unload and remove the master shell.

**6.10** Repeat the procedure given in 6.5 to 6.8 by incrementally increasing the load  $F$  until a permanent set of about 0,01 % in the peripheral direction of the half bearing is recorded.

The increment of compressive stress which gives the permanent set of 0,01 % shall not exceed 50 MPa.

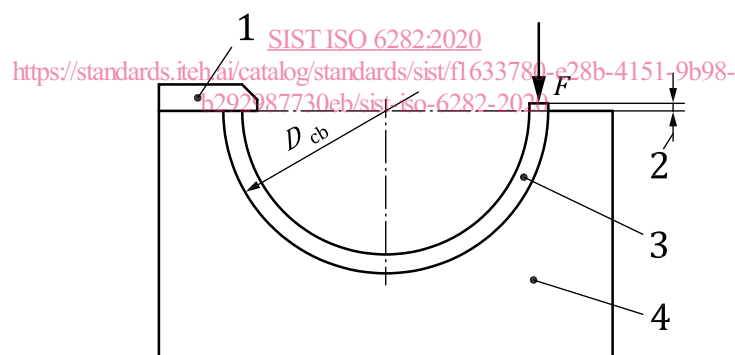
## 7 Expression of results

The “evaluation sheet” as presented in Annex A serves for the evaluation of the measured values obtained in accordance with 6.5 and the following subclauses.

The following formula allows calculation of the reduction of the peripheral length of the half bearing,  $\Delta l_{0,01}$ , expressed in micrometres ( $\mu\text{m}$ ):

$$\Delta l_{0,01} = 0,05 \cdot \pi \cdot D_{cbM}$$

where  $D_{cbM}$  is the measured diameter of the checking block bore ( $D_{cb}$ ), in millimetres (mm).



### Key

- 1 fixed stop
- 2 nip (crush)
- 3 master shell or half bearing shell to be measured
- 4 checking block

**Figure 1 — Checking block**