



SLOVENSKI STANDARD
SIST EN 36:1998
01-december-1998

N]XbUV]XY`y_c`^_Un`n[cfb]a `Xcfc_ca `!`Df]_`1 bY`a YfY

Wall hung bidets over rim supply only - Connecting dimensions

Sitzwaschbecken, wandhängend, mit Zulauf von oben - Anschlußmaße

Bidet suspendu a alimentation par surverse - Cotes de raccordement

Ta slovenski standard je istoveten z: **EN 36:1977**

[SIST EN 36:1998](https://standards.iteh.ai/catalog/standards/sist/5a5c6d09-82d9-45d3-b83d-21d0ee38d422/sist-en-36-1998)

<https://standards.iteh.ai/catalog/standards/sist/5a5c6d09-82d9-45d3-b83d-21d0ee38d422/sist-en-36-1998>

ICS:

91.140.70 Sanitarne naprave Sanitary installations

SIST EN 36:1998

en

iTeh STANDARD PREVIEW
(standards.iteh.ai)

SIST EN 36:1998

<https://standards.iteh.ai/catalog/standards/sist/5a5c6d09-82d9-45d3-b83d-21d0ee38d422/sist-en-36-1998>

EUROPEAN STANDARD
NORME EUROPEENNE
EUROPÄISCHE NORM



REPUBLIKA SLOVENIJA
MINISTRSTVO ZA ZNANOST IN TEHNOLOGIJO
Urad RS za standardizacijo in meroslovje
LJUBLJANA

EN 36

Edition 1.

February 1977

SIST.....EN 36.....-12-1998.....
PREVZET PO METODI RAZGLASITVE

UDC : 696.141.5:645.683.6

Key words: Sanitary appliances, Bidets, Connecting dimensions,
Hole size.

English version

WALL HUNG BIDEISOVER RIM SUPPLY ONLY

CONNECTING DIMENSIONS

Bidet suspendu à alimentation
par surverse
Cotes de raccordement

Sitzwaschbecken, wandhängend,
mit Zulauf von oben
Anschlussmasse

iTeh STANDARD PREVIEW
(standards.iteh.ai)

This European Standard was accepted by CEN on 1977-02-28. The CEN members are bound to adhere to the CEN Internal Regulations which specify under which conditions this European Standard has to be given, without any alteration, the status of a national standard.

Up-to-date lists and bibliographical references concerning such national standards may be obtained on application to the CEN Central Secretariat or to any CEN member.

This European Standard exists in three versions (English, French, German), recognized by CEN as equivalent. National versions in other languages rank as translations and in case of doubt shall be checked against one of the recognized versions.

CEN members are the national standards organizations of Austria, Belgium, Denmark, Finland, France, Germany, Ireland, Italy, Netherlands, Norway, Portugal, Spain, Sweden, Switzerland and United Kingdom.

CEN

EUROPEAN COMMITTEE FOR STANDARDIZATION
Comité Européen de Normalisation
Europäisches Komitee für Normung

Central Secretariat: 2, rue Bréderode, B-1000 Bruxelles.

B R I E F H I S T O R Y

This European Standard was drawn up by the Technical Committee CEN/TC 7 "Connecting dimensions of sanitary appliances",

the secretariat of which is held by UNI.

This European Standard was adopted by CEN on the strength of its acceptance by the following member countries :

Austria - Belgium - Finland - France - Germany - Italy -
Netherlands - Spain - Sweden - Switzerland - United Kingdom.



1. SCOPE AND FIELD OF APPLICATION

The aim of this standard is to specify the connecting characteristics of over rim supply wall hung bidets whatever the materials of their manufacture.

NOTE

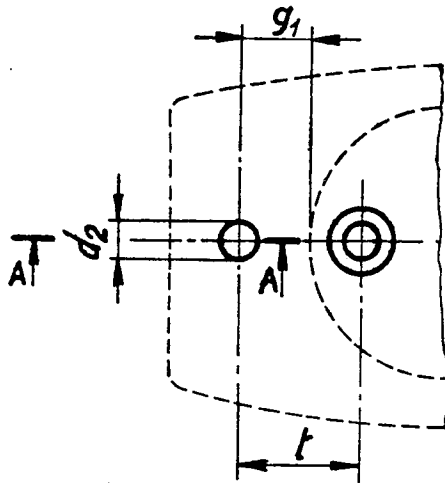
Only the dimensions are compulsory. The outline of the appliance in the diagrams is for illustration only, it in no way prejudices the final shape of the appliance which is left to the initiative of the manufacturers.

iTeh STANDARD PREVIEW
(standards.iteh.ai)

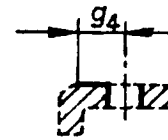
[SIST EN 36:1998](https://standards.iteh.ai/catalog/standards/sist/5a5c6d09-82d9-45d3-b83d-21d0ee38d422/sist-en-36-1998)

<https://standards.iteh.ai/catalog/standards/sist/5a5c6d09-82d9-45d3-b83d-21d0ee38d422/sist-en-36-1998>

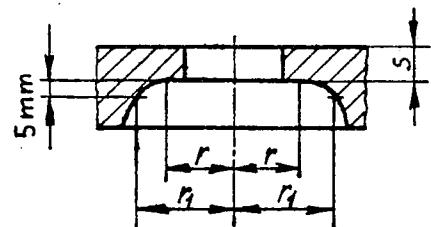
2. CONNECTING DIMENSIONS

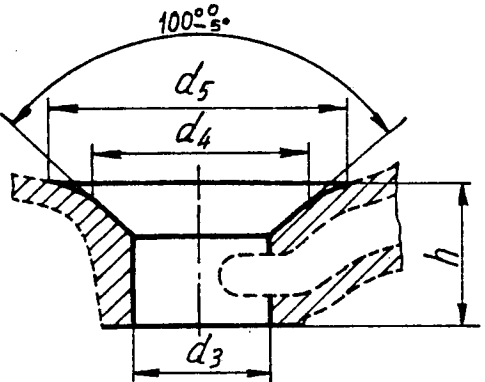
2.1. Single hole bidet with over rim supply

Section A-A



Dimension reference	Values in millimetres	Definitions and comments
d_2	$35 \begin{smallmatrix} + 2 \\ - 1 \end{smallmatrix}$	Diameter of the tap hole
g_1	$\cong 80$	Horizontal distance from the centre line of the tap hole to the edge of the bowl
g_4	$\cong 32$	Width of the flat plane of the tap platform from the centre of the tap hole to the back edge of the flat plane
r	$\cong 25$	Radius of a cylinder having the same centre line as the tap hole of a depth 0-5 mm from the lower plane of the tap hole
r_1	$\cong 30$	Radius of a cylinder having the same centre line as the tap hole of a depth of 5 mm min from the lower plane of the tap hole
s	$\cong 18$	Thickness of the tap platform at the level of the zone concentric to the tap hole
t	$\cong 170$	Horizontal distance between centre line of the tap hole to centre line of the waste hole



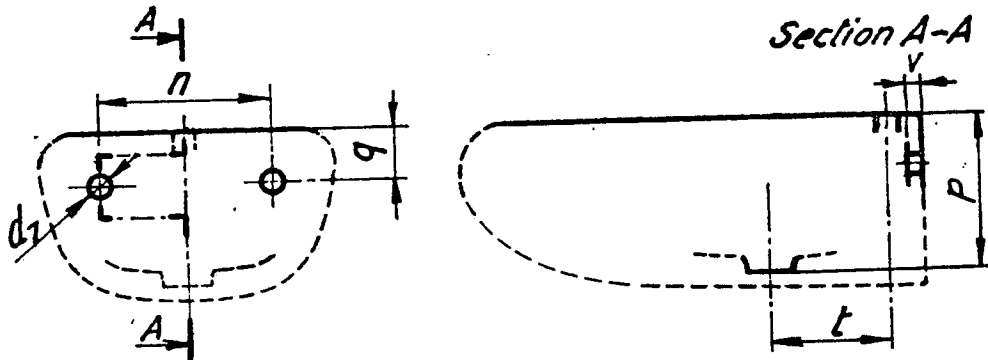
Dimension reference	Values in millimetres	Definitions and comments	
d_3	$46 \begin{matrix} + 2 \\ - 3 \end{matrix}$	Waste hole diameter	
d_4	65 ± 2	With angle $100^\circ \begin{matrix} 0 \\ -5 \end{matrix}$ dimension of contact of the waste flange	
d_5	≤ 75	Diameter of the inlet for the waste flange	
h	$45 \begin{matrix} + 5 \\ 0 \end{matrix}$	For appliances with overflow hole	
p	≤ 250	Vertical distance between the tap platform and the lower plane of the waste hole	

iTeh STANDARD PREVIEW

(standards.iteh.ai)

SIST EN 36:1998

<https://standards.iteh.ai/catalog/standards/sist/5a5c6d09-82d9-45d3-b83d-21d6cc38d422/sist-en-36-1998>

4. FIXING DIMENSIONS FOR BIDETS

iTeh STANDARD PREVIEW

(standards.iteh.ai)

Definitions and comments

SIST EN 36:1998

[https://standards.iteh.ai/catalog/standards/sist/5a5c6d09-82d9-45d3-b83d-](https://standards.iteh.ai/catalog/standards/sist/5a5c6d09-82d9-45d3-b83d-21d0ee38d432/sist-en-36-1998)[21d0ee38d432/sist-en-36-1998](https://standards.iteh.ai/catalog/standards/sist/5a5c6d09-82d9-45d3-b83d-21d0ee38d432/sist-en-36-1998)

Dimension reference	Values in millimetres	Definitions and comments
n	Type A 180 ± 5	Distance between the centre line of the two fixing holes (See Note)
	Type B 230 ± 5	
q	40 min. 90 max.	Distance between the centre line of the fixing holes and the tap platform
d_7	25 ± 3	Diameter of the fixing holes
v	75 max.	Thickness of the appliance around the fixing holes

NOTE

For bolts of 16 mm max diameter a distance between centre lines of 180 ± 3 mm for type "A" pans and 230 ± 3 mm for type "B" pans shall be allowed.