



**SLOVENSKI STANDARD**  
**SIST EN 111:1998**  
**01-december-1998**

---

AU]`n]Xb]`i a ]j Ub]\_`!`Df]\_`4 bY`a YfY

Wall hung rinse basins - Connecting dimensions

Handwaschbecken, wandhängend - Anschlußmaße

Lave-mains suspendus - Cotes de raccordement

**Ta slovenski standard je istoveten z: EN 111:1984**

**ITeH STANDARD PREVIEW**  
**(standards.iteh.ai)**  
<https://standards.iteh.ai/catalog/standards/sist/d3c2205d-5660-497f-9bc5-1883e7f4e9d9/sist-en-111-1998>

**ICS:**

91.140.70      Sanitarne naprave      Sanitary installations

**SIST EN 111:1998**

**en**

**iTeh STANDARD PREVIEW**  
**(standards.iteh.ai)**

SIST EN 111:1998

<https://standards.iteh.ai/catalog/standards/sist/d3c2205d-5660-497f-9bc5-1883e7f4e9d9/sist-en-111-1998>

EUROPEAN STANDARD  
NORME EUROPÉENNE  
EUROPÄISCHE NORM

EN 111  
July 1982

UDC 696.143 : 645.681.4

Key words: sanitary appliances, wash basins, connecting dimensions

English version

Wall hung hand rinse basins  
Connecting dimensions

Lave-mains  
Cotes de raccordement

Handwaschbecken, wandhängend  
Anschlussmasse

This European Standard was accepted by CEN on 1982-06-22. CEN members are bound to comply with the requirements of CEN Internal Regulations which stipulate the conditions for giving this European Standard the status of a national standard without any alteration.

Up-to-date lists and bibliographical references concerning such national standards may be obtained on application to the CEN Central Secretariat or to any CEN member.

This European Standard exists in three official versions (English, French, German). A version in any other language made by translation under the responsibility of a CEN member into its own language and notified to CEN Central Secretariat has the same status as the official versions.

CEN members are the national standards organizations of Austria, Belgium, Denmark, Finland, France, Germany, Greece, Ireland, Italy, Netherlands, Norway, Portugal, Spain, Sweden, Switzerland and United Kingdom.



REPUBLIKA SLOVENIJA  
MINISTRSTVO ZA ZNANOST IN TEHNOLOGIJO  
Urad RS za standardizacijo in meroslovje  
LJUBLJANA

SIST. EN 111

PREVZET PO METODI RAZGLASITVE

12-1998

**CEN**

European Committee for Standardization  
Comité Européen de Normalisation  
Europäisches Komitee für Normung

Central Secretariat: rue Bréderode 2, B-1000 Brussels

© CEN 1982

Copyright reserved to all CEN members

**Brief history**

This European Standard was drawn up by the Technical Committee CEN/TC 7 'Sanitary appliances', the Secretariat of which is held by UNI.

This European Standard was adopted by CEN on the strength of its acceptance by the following countries:

Austria, Belgium, Germany, Greece, Italy, Netherlands, Spain, Switzerland and United Kingdom.

## iTeh STANDARD PREVIEW (standards.iteh.ai)

[SIST EN 111:1998](#)

<https://standards.iteh.ai/catalog/standards/sist/d3c2205d-5660-497f-9bc5-1883e7f4e9d9/sist-en-111-1998>.



## Wall hung hand rinse basins

### Connecting dimensions

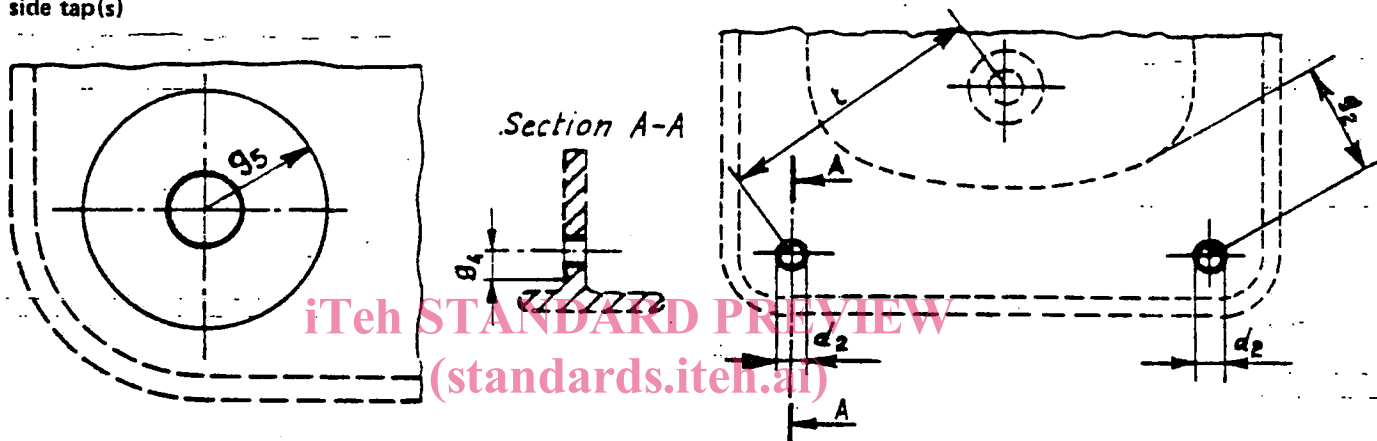
#### 1. Scope and field of application

This European Standard specifies the connecting dimensions of wall hung hand rinse basins, whatever materials are used in their manufacture. It does not cover appliances having a total width greater than 530 mm.

NOTE. Only dimensions are compulsory. The outline of the appliances in the diagrams is for illustration only; it in no way prejudices the final shape of the appliance, which is left to the initiative of the manufacturers.

#### 2. Connecting dimensions

##### 2.1 Hand rinse basins with one and/or two holes for side tap(s)

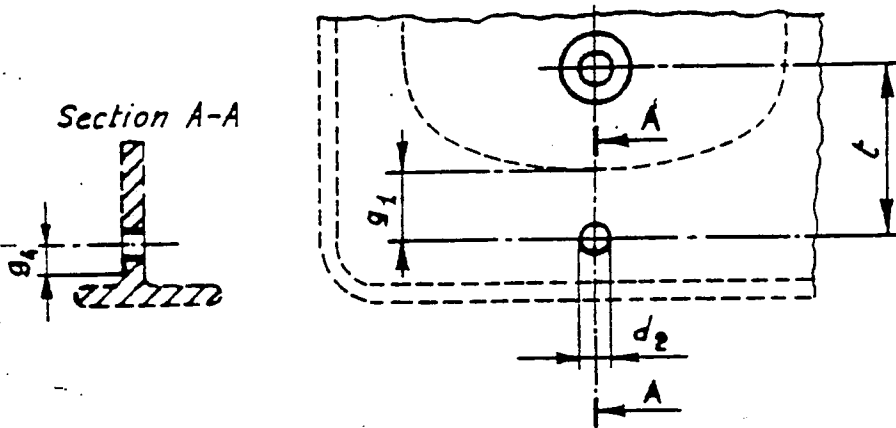


SIST EN 111:1998

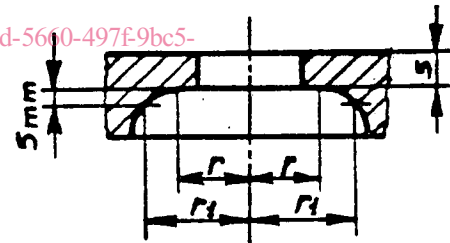
<https://standards.iteh.ai/catalog/standards/sist/d3e2205d-5660-497f-9bc5-1885e7e0e0e0/sist-en-111-1998>

Dimension references	Values in millimetres	Definitions and comments	
$d_2$	$35^{+2}_{-1}$	Diameter of the tap hole(s)	
$g_2$	$< 65$	The shortest horizontal distance between the centre line of a tap hole and the edge of the bowl	
$g_4$	$> 32$	Width of the flat plane of the tap platform from the centre of the tap hole to the back edge of the flat plane	
$g_5$	$> 32$	Radius of a plane circular surface having the same centre as the tap hole and intended to accommodate the fixing of a tap	
$r$	$> 25$	Radius of a cylinder having the same centre line as the tap hole and limiting a free space from the lower plane of the tap hole of a depth of 0 to 5 mm.	
$r_1$	$> 30$	Radius of a cylinder having the same centre line as the tap hole and limiting a free space from the lower plane of the tap hole of a depth of 5 mm min.	
$s$	$< 18$	Thickness of the tap platform at the level of the zone concentric to the tap hole	
$t$	$< 170$	Horizontal distance between the centre line of the tap hole and the centre line of the waste hole	

## 2.2 Hand rinse basins with one hole for central tap



Dimension references	Values in millimetres	Definitions and comments
$d_2$	$35^{+2}_{-1}$	Diameter of the tap hole
$g_1$	$< 80$	Horizontal distance between the centre line of the tap hole and the edge of the bowl
$g_4$	$> 32$	Width of the flat plane of the tap platform from the centre of the tap hole to the back edge of the flat plane
$r$	$> 25$	Radius of a cylinder having the same centre line as the tap hole and limiting a free space from the lower plane of the tap hole of a depth of 0 to 5 mm.
$r_1$	$> 30$	Radius of a cylinder having the same centre line as the tap hole and limiting a free space from the lower plane of the tap hole of a depth of 5 mm min.
$s$	$< 18$	Thickness of the tap platform at the level of the zone concentric to the tap hole
$t$	$< 170$	Horizontal distance between the centre line of the tap hole and the centre line of the waste hole



## 2.3 Waste hole

Dimension references	Values in millimetres	Definitions and comments	
$d_3$	$46 \begin{smallmatrix} +2 \\ -3 \end{smallmatrix}$	Waste hole diameter	
$d_4$	$65 \pm 2$	With angle of $100^\circ \begin{smallmatrix} 0 \\ -5 \end{smallmatrix}$ Dimension of contact of the waste hole	
$d_5$	$< 75$	Diameter of inlet for the waste hole	
$h$	$45 \begin{smallmatrix} +5 \\ 0 \end{smallmatrix}$	For appliances with overflow hole	
$p$	$< 250$	Vertical distance between the tap platform and the lower plane of the waste hole	

iTeh STANDARD PREVIEW  
(standards.iteh.ai)

SIST EN 111:1998

<https://standards.iteh.ai/catalog/standards/sist/d3c2205d-5660-497f-9bc5-1883e7f4e9d9/sist-en-111-1998>