



**SLOVENSKI STANDARD**  
**oSIST prEN 16842-8:2019**

**01-december-2019**

---

**Vozila za talni transport - Gnana vozila za talni transport - Vidno polje voznika - Preskusna metoda in preverjanje - 8. del: Čelni viličar s stoječim upravljavcem in z nosilnostjo do 10 000 kg**

Powered industrial trucks - Visibility-test methods and verification - Part 8: Stand-on counterbalance trucks up to and including 10 000 kg capacity

Kraftbetriebene Flurförderzeuge - Sichtverhältnisse - Prüfverfahren und Verifikation - Teil 8: Gegengewichtstapler mit stehendem Bediener bis einschließlich einer Nenntragfähigkeit von 10 000 kg

Chariots de manutention - Visibilité - Méthode d'essai et vérification - Partie 8 : Chariots en porte-à-faux à conducteur debout ayant une capacité jusqu'à 10 000 kg inclus

**Ta slovenski standard je istoveten z: prEN 16842-8**

---

**ICS:**

53.060            Industrijski tovornjaki            Industrial trucks

**oSIST prEN 16842-8:2019**            **en,fr,de**



EUROPEAN STANDARD  
NORME EUROPÉENNE  
EUROPÄISCHE NORM

**DRAFT**  
**prEN 16842-8**

September 2019

---

ICS 53.060

English Version

**Powered industrial trucks - Visibility-test methods and verification - Part 8: Stand-on counterbalance trucks up to and including 10 000 kg capacity**

Chariots de manutention - Visibilité - Méthode d'essai et vérification - Partie 8 : Chariots en porte-à-faux à conducteur debout ayant une capacité jusqu'à 10 000 kg inclus

Kraftbetriebene Flurförderzeuge - Sichtverhältnisse - Prüfverfahren und Verifikation - Teil 8: Gegengewichtstapler mit stehendem Bediener bis einschließlich einer Nenntragfähigkeit von 10 000 kg

This draft European Standard is submitted to CEN members for enquiry. It has been drawn up by the Technical Committee CEN/TC 150.

If this draft becomes a European Standard, CEN members are bound to comply with the CEN/CENELEC Internal Regulations which stipulate the conditions for giving this European Standard the status of a national standard without any alteration.

This draft European Standard was established by CEN in three official versions (English, French, German). A version in any other language made by translation under the responsibility of a CEN member into its own language and notified to the CEN-CENELEC Management Centre has the same status as the official versions.

CEN members are the national standards bodies of Austria, Belgium, Bulgaria, Croatia, Cyprus, Czech Republic, Denmark, Estonia, Finland, France, Germany, Greece, Hungary, Iceland, Ireland, Italy, Latvia, Lithuania, Luxembourg, Malta, Netherlands, Norway, Poland, Portugal, Republic of North Macedonia, Romania, Serbia, Slovakia, Slovenia, Spain, Sweden, Switzerland, Turkey and United Kingdom.

Recipients of this draft are invited to submit, with their comments, notification of any relevant patent rights of which they are aware and to provide supporting documentation.

**Warning** : This document is not a European Standard. It is distributed for review and comments. It is subject to change without notice and shall not be referred to as a European Standard.



EUROPEAN COMMITTEE FOR STANDARDIZATION  
COMITÉ EUROPÉEN DE NORMALISATION  
EUROPÄISCHES KOMITEE FÜR NORMUNG

**CEN-CENELEC Management Centre: Rue de la Science 23, B-1040 Brussels**

---

<b>Contents</b>	<b>Page</b>
<b>European foreword</b> .....	<b>3</b>
<b>Introduction</b> .....	<b>4</b>
<b>1 Scope</b> .....	<b>5</b>
<b>2 Normative references</b> .....	<b>5</b>
<b>3 Terms and definitions</b> .....	<b>5</b>
<b>4 Truck Configuration</b> .....	<b>5</b>
<b>4.1 General</b> .....	<b>5</b>
<b>4.2 Fork arm dimension</b> .....	<b>6</b>
<b>5 Test equipment</b> .....	<b>6</b>
<b>6 Test procedures for direct visibility</b> .....	<b>6</b>
<b>6.1 General</b> .....	<b>6</b>
<b>6.2 Lighting equipment position</b> .....	<b>6</b>
<b>6.3 Test paths for stand-on counterbalance trucks ≤ 10 000 kg capacity</b> .....	<b>8</b>
<b>6.4 Measurement procedure</b> .....	<b>10</b>
<b>6.5 Test procedure for indirect visibility</b> .....	<b>11</b>
<b>7 Acceptance criteria</b> .....	<b>11</b>
<b>7.1 General</b> .....	<b>11</b>
<b>7.2 Direct visibility</b> .....	<b>11</b>
<b>7.2.1 General</b> .....	<b>11</b>
<b>7.2.2 Travelling visibility</b> .....	<b>11</b>
<b>7.2.3 Manoeuvring visibility</b> .....	<b>11</b>
<b>7.2.4 Fork arms</b> .....	<b>11</b>
<b>7.3 Indirect visibility</b> .....	<b>11</b>
<b>7.4 Criteria for stand-on counterbalance trucks up to and including 10 000 kg rated capacity</b> .....	<b>12</b>
<b>8 Test report</b> .....	<b>14</b>
<b>9 Information for use</b> .....	<b>14</b>

## European foreword

This document (prEN 16842-8:2019) has been prepared by Technical Committee CEN/TC 150 “Industrial trucks – Safety”, the secretariat of which is held by BSI.

This document is currently submitted to the CEN Enquiry.

This document is intended to be used in combination with the requirements in EN 16842-1.

The EN 16842 series consists of the following parts under the general title “*Powered industrial trucks – Visibility – Test methods and verification*”:

- *Part 1: General requirements;*
- *Part 2: Sit-on counterbalance trucks and rough terrain masted trucks up to and including 10 000 kg capacity;*
- *Part 3: Reach trucks up to and including 10 000 kg capacity;*
- *Part 4: Industrial variable reach trucks up to and including 10 000 kg capacity;*
- *Part 5: Industrial variable reach trucks greater than 10 000 kg capacity;*
- *Part 6: Sit-on counterbalance trucks and rough terrain masted trucks greater than 10 000 kg capacity;*
- *Part 7: Variable reach and masted container trucks handling freight containers of 6 m (20 ft) length and longer;*
- *Part 8: Stand on counterbalance trucks up to and including 10 000 kg capacity (this document);*
- *Part 9: Order picking lateral- and front stacking trucks with elevating operator position;*
- *Part 10: Towing and Pushing tractors and Burden carrier.*

It is intended to develop the parts related to the following machinery:

- Pallet stacking trucks (rider controlled);
- Single side loader;
- Multi-directional forklift truck;
- Articulated counterbalance lift truck;
- Non-stacking low-lift straddle carrier (as defined in ISO 5053-1:2015, 3.18);
- Stacking high-lift straddle carrier (as defined in ISO 5053-1:2015, 3.19).

## Introduction

This document is a Type-C standard as stated in EN ISO 12100.

This document is of relevance, in particular, for the following stakeholder groups representing the market players with regard to machinery safety:

- machine manufacturers (small, medium and large enterprises);
- health and safety bodies (regulators, accident prevention organizations, market surveillance, etc.).

Others can be affected by the level of machinery safety achieved with the means of the document by the above-mentioned stakeholder groups:

- machine users/employers (small, medium and large enterprises);
- machine users/employees (e.g. trade unions, organizations for people with special needs);
- service providers, e.g. for maintenance (small, medium and large enterprises);
- consumers (in case of machinery intended for use by consumers).

The above-mentioned stakeholder groups have been given the possibility to participate at the drafting process of this document.

The machinery concerned and the extent to which hazards, hazardous situations or hazardous events are covered are indicated in the Scope of this document.

When requirements of this type-C standard are different from those which are stated in type-A or type-B standards, the requirements of this type-C standard take precedence over the requirements of the other standards for machines that have been designed and built according to the requirements of this type-C standard.

<https://standards.iteh.ai/catalog/standards/sist/e6ef96a7-667d-4a7d-a62e-e8874be47f76/sist-en-16842-8-2021>

## 1 Scope

This document specifies the requirements and test procedures for 360° visibility of stand-on counterbalance trucks with a capacity up to and including 10 000 kg in accordance with ISO 5053-1 (herein after referred to as trucks) without a load and it is intended to be used in conjunction with EN 16842-1.

Where specific requirements in this document are modified from the general requirements in EN 16842-1, the requirements of this document are truck-specific and are to be used for stand-on counterbalance trucks with a capacity up to, and including, 10 000 kg.

This part of EN 16842 deals with all significant hazards, hazardous situations or hazardous events, relevant to the visibility of the operator for applicable machines when used as intended and under conditions of misuse which are reasonably foreseeable by the manufacturer.

## 2 Normative references

The following documents are referred to in the text in such a way that some or all of their content constitutes requirements of this document. For dated references, only the edition cited applies. For undated references, the latest edition of the referenced document (including any amendments) applies.

EN 16842-1:2018, *Powered industrial trucks — Visibility — Test methods and verification — Part 1: General requirements*

EN ISO 3691-1:2015, *Industrial trucks — Safety requirements and verification — Part 1: Self-propelled industrial trucks, other than driverless trucks, variable-reach trucks and burden-carrier trucks (ISO 3691-1:2011, including Cor. 1:2013)*

ISO 5053-1, *Industrial trucks — Terminology and classification — Part 1: Types of industrial trucks*

## 3 Terms and definitions

For the purposes of this document, the terms and definitions given in EN 16842-1:2018, EN ISO 3691-2:2016+AC:2016 and ISO 5053-1:2015 apply.

ISO and IEC maintain terminological databases for use in standardization at the following addresses:

- IEC Electropedia: available at <http://www.electropedia.org/>
- ISO Online browsing platform: available at <http://www.iso.org/obp>

## 4 Truck Configuration

### 4.1 General

For truck test configuration EN 16842-1:2018, 4.1 and 4.2.2 shall apply.

**prEN 16842-8:2019 (E)****4.2 Fork arm dimension**

The test truck shall be equipped with fork arms of the following nominal lengths:

- Truck < 1 000 kg rated capacity: 800 mm,
- Truck  $\geq$  1 000 kg and < 5 000 kg rated capacity: 1 000 mm, and
- Truck  $\geq$  5 000 kg and  $\leq$  10 000 kg rated capacity: 1 200 mm.

Other fork arm lengths shall be tested if these adversely affect visibility (e.g. shorter fork arms).

Lengths of forks arms shall be noted in the test report, see Clause 8.

NOTE Fork arm lengths in millimetres are given as two times the length of the standard load centre distance as defined in EN ISO 3691-1:2015, A.2.3.

**5 Test equipment**

For test equipment EN 16842-1:2018, Clause 5 shall apply.

**6 Test procedures for direct visibility****6.1 General**

The visibility from the industrial truck shall be determined from all normal operating positions with lighting equipment and test body or screen. The lighting equipment simulates the range of eye positions of the operator. The test body or test screen simulates an obstacle to be seen.

**6.2 Lighting equipment position**

The lighting equipment shall be positioned relative to the standing index point (STIP).

The STIP is given for a stand-on operator in the normal operating position, with the operator standing at the platform and controlling all functions.

Procedure for locating the STIP:

- a) determine the appropriate foot positions for the truck being evaluated;
- b) determine the position of the ankle pivot point by the shoe outline and the data given in Figure 1;
- c) determine the mid-point of the line connecting the ankle pivot points to establish the STIP;
- d) the 0° position (before any rotation of the operator's head, shoulders, or torso) is a line through the STIP perpendicular to the line connecting the ankle pivot points as shown in Figure 1; the row of lights may be rotated  $\pm 135^\circ$  as shown in Figure 2;
- e) measure the height of the STIP above the floor as well as the location of the STIP relative to a permanent feature of the truck and record.

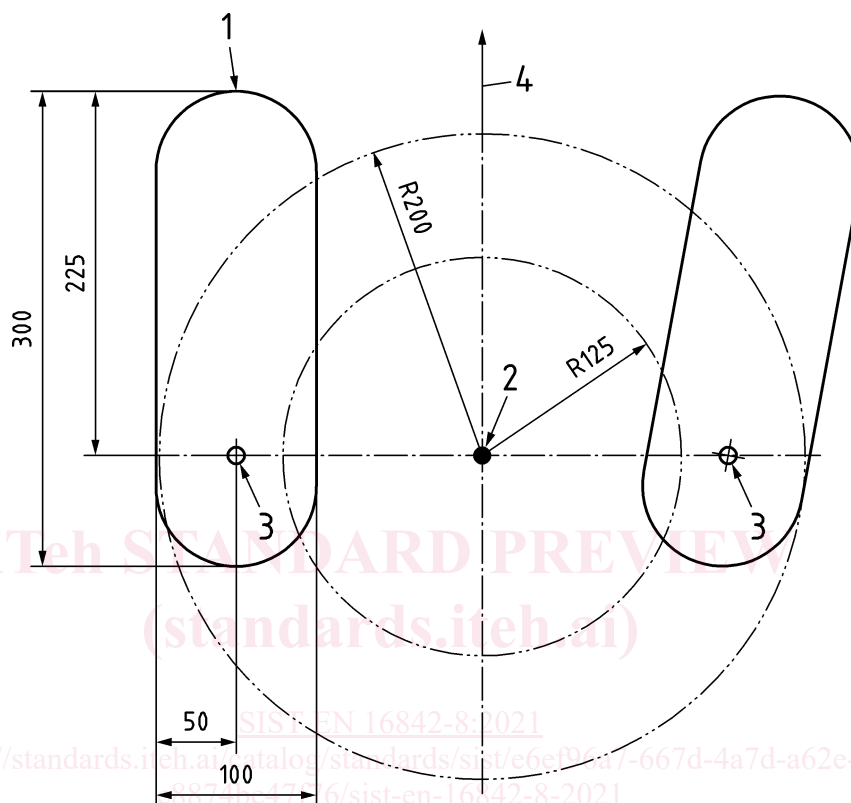
To simulate body movement during truck operation, an adjusted STIP (ASTIP) may be positioned within an area circumscribed by:

- a 125 mm radius about the STIP for a stand-up rider truck with defined compartment space where the operator's feet/lower body movements are limited due to truck design.
- a 200 mm radius about the STIP for stand-on operated truck with space for movement.



When the STIP for a truck has been established, the location of the STIP shall remain fixed throughout the visibility evaluation. The ASTIP of the test fixture for a particular test may be relocated as defined above, and shown in Figure 1 and Figure 2, i.e. Tests 1 to 9 (see Table 1 and Table 2) may have different locations for the axis of rotation. Each test shall have only one location for the ASTIP which shall be referenced from the STIP and recorded.

Dimensions in millimetres

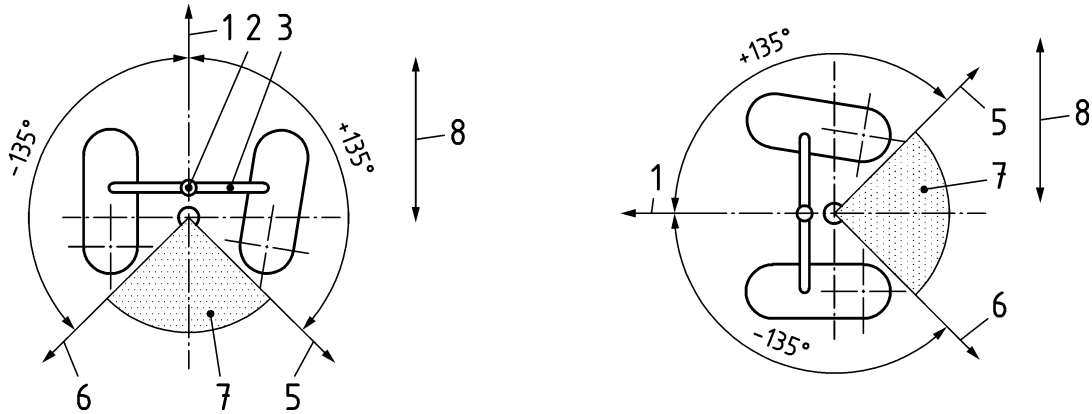


**Key**

- 1 foot/shoe profile
- 2 STIP
- 3 ankle pivot points
- 4 0° direction

**Figure 1 — Determination of stand index point (STIP)**

prEN 16842-8:2019 (E)



(a) Stand-on truck where the operator is facing the line of travel

(b) Stand-on truck where the operator is facing in 90° angle to the line of travel

**Key**

- |   |                                |   |  |
|---|--------------------------------|---|--|
| 1 | 0° standing direction          | 5 | +135° test direction   |
| 2 | STIP or ASTIP                  | 6 | -135° test direction   |
| 3 | Row of lights                  | 7 | The row of lights shall not be turned to this area for tests             |
| 4 | Row of lights axis of rotation | 8 | load trailing or load leading direction for all standing positions shown |

**Figure 2 — Standing Position and test direction****6.3 Test paths for stand-on counterbalance trucks ≤ 10 000 kg capacity**

Test paths P1 to P9 (see Figure 3 and Figure 4) shall consist of lines laid out on the floor around the test truck, parallel or perpendicular to the truck longitudinal axis. The distances between the truck profile as defined in EN 16842-1:2018, 3.1 which includes the front vertical surface of the fork arms and the test paths are specified in Figure 3 and Figure 4 as applicable.