

---

**Aeronavtika - Konektorji, električni, pravokotni, modularni - Stalna delovna temperatura 175 °C - 017. del: Zaporni pokrovi za dodatke (1 na modul) - Standard za proizvod**

Aerospace series - Connectors, electrical, rectangular, modular - Operating temperature 175 °C continuous - Part 017: Blank chimney for accessory (1 per module cavity) - Product standard

Luft- und Raumfahrt - Elektrischer Rechtecksteckverbinder in modularer Bauweise - Betriebstemperatur 175 °C konstant - Teil 017: Verschlussdeckel für Zugentlastung, für ein Modul - Produktnorm

Série aérospatiale - Connecteurs électriques rectangulaires modulaires - Température d'utilisation 175 °C continu - Partie 017: Obturateurs pour accessoires (1 par cavité de module) - Norme de produit

**Ta slovenski standard je istoveten z: prEN 4165-017**

**ICS:**

31.220.10	Vtiči in vtičnice, konektorji	Plug-and-socket devices. Connectors
49.060	Letalska in vesoljska električna oprema in sistemi	Aerospace electric equipment and systems

**oSIST prEN 4165-017:2022****en,fr,de**

**iTeh STANDARD  
PREVIEW  
(standards.iteh.ai)**

[oSIST prEN 4165-017:2022](https://standards.iteh.ai/catalog/standards/sist/a0ef418a-1b2c-468b-a546-22c56486413d/osist-pren-4165-017-2022)

<https://standards.iteh.ai/catalog/standards/sist/a0ef418a-1b2c-468b-a546-22c56486413d/osist-pren-4165-017-2022>

EUROPEAN STANDARD  
NORME EUROPÉENNE  
EUROPÄISCHE NORM

**DRAFT**  
**prEN 4165-017**

December 2021

ICS 49.060

Will supersede EN 4165-017:2005

English Version

**Aerospace series - Connectors, electrical, rectangular,  
modular - Operating temperature 175 °C continuous - Part  
017: Blank chimney for accessory (1 per module cavity) -  
Product standard**

Série aérospatiale - Connecteurs électriques  
rectangulaires modulaires - Température d'utilisation  
175 °C continu - Partie 017 : Obturateurs pour  
accessoires (1 par cavité de module) - Norme de  
produit

Luft- und Raumfahrt - Elektrischer  
Rechtecksteckverbinder in modularer Bauweise -  
Betriebstemperatur 175 °C konstant - Teil 017:  
Verschlussdeckel für Zugentlastung, für ein Modul -  
Produktnorm

**iTeh STANDARD**

This draft European Standard is submitted to CEN members for enquiry. It has been drawn up by the Technical Committee ASD-STAN.

If this draft becomes a European Standard, CEN members are bound to comply with the CEN/CENELEC Internal Regulations which stipulate the conditions for giving this European Standard the status of a national standard without any alteration.

This draft European Standard was established by CEN in three official versions (English, French, German). A version in any other language made by translation under the responsibility of a CEN member into its own language and notified to the CEN-CENELEC Management Centre has the same status as the official versions.

CEN members are the national standards bodies of Austria, Belgium, Bulgaria, Croatia, Cyprus, Czech Republic, Denmark, Estonia, Finland, France, Germany, Greece, Hungary, Iceland, Ireland, Italy, Latvia, Lithuania, Luxembourg, Malta, Netherlands, Norway, Poland, Portugal, Republic of North Macedonia, Romania, Serbia, Slovakia, Slovenia, Spain, Sweden, Switzerland, Turkey and United Kingdom.

Recipients of this draft are invited to submit, with their comments, notification of any relevant patent rights of which they are aware and to provide supporting documentation.

**Warning** : This document is not a European Standard. It is distributed for review and comments. It is subject to change without notice and shall not be referred to as a European Standard.



EUROPEAN COMMITTEE FOR STANDARDIZATION  
COMITÉ EUROPÉEN DE NORMALISATION  
EUROPÄISCHES KOMITEE FÜR NORMUNG

**CEN-CENELEC Management Centre: Rue de la Science 23, B-1040 Brussels**

<b>Contents</b>		Page
<b>European foreword</b> .....		3
<b>1</b>	<b>Scope</b> .....	4
<b>2</b>	<b>Normative references</b> .....	4
<b>3</b>	<b>Terms and definitions</b> .....	4
<b>4</b>	<b>Required characteristics</b> .....	5
<b>5</b>	<b>Blank chimney for accessories</b> .....	5
<b>6</b>	<b>Designation</b> .....	6
<b>7</b>	<b>Marking</b> .....	6
<b>8</b>	<b>Technical specification</b> .....	6
<b>Bibliography</b> .....		7

**iTeh STANDARD  
PREVIEW  
(standards.iteh.ai)**

[oSIST prEN 4165-017:2022](https://standards.iteh.ai/catalog/standards/sist/a0ef418a-1b2c-468b-a546-22c56486413d/osist-pren-4165-017-2022)  
<https://standards.iteh.ai/catalog/standards/sist/a0ef418a-1b2c-468b-a546-22c56486413d/osist-pren-4165-017-2022>

## European foreword

This document (prEN 4165-017:2021) has been prepared by the Aerospace and Defence Industries Association of Europe — Standardization (ASD-STAN).

After enquiries and votes carried out in accordance with the rules of this Association, this document has received the approval of the National Associations and the Official Services of the member countries of ASD, prior to its presentation to CEN.

This document is currently submitted to the CEN Enquiry.

This document will supersede EN 4165-017:2005.

# iTeh STANDARD PREVIEW (standards.iteh.ai)

[oSIST prEN 4165-017:2022](https://standards.iteh.ai/catalog/standards/sist/a0ef418a-1b2c-468b-a546-22c56486413d/osist-pren-4165-017-2022)

<https://standards.iteh.ai/catalog/standards/sist/a0ef418a-1b2c-468b-a546-22c56486413d/osist-pren-4165-017-2022>

**prEN 4165-017:2021 (E)****1 Scope**

This document defines the blank chimney for accessories (1 per module cavity) used in the family of rectangular electrical connectors.

The connector accessory body corresponding to those blank chimneys is defined in EN 4165-014.

**2 Normative references**

The following documents are referred to in the text in such a way that some or all of their content constitutes requirements of this document. For dated references, only the edition cited applies. For undated references, the latest edition of the referenced document (including any amendments) applies.

EN 4165-001, *Aerospace series — Connectors, electrical, rectangular, modular — Operating temperature 175 °C continuous — Part 001: Technical specification*

**3 Terms and definitions**

For the purposes of this document, the terms and definitions given in EN 4165-001 apply.

ISO and IEC maintain terminological databases for use in standardization at the following addresses:

- ISO Online browsing platform: available at <https://www.iso.org/obp>
- IEC Electropedia: available at <https://www.electropedia.org/>

ITEH STANDARD  
PREVIEW  
(standards.iteh.ai)

[oSIST prEN 4165-017:2022](https://standards.iteh.ai/catalog/standards/sist/a0ef418a-1b2c-468b-a546-22c56486413d/osist-pren-4165-017-2022)

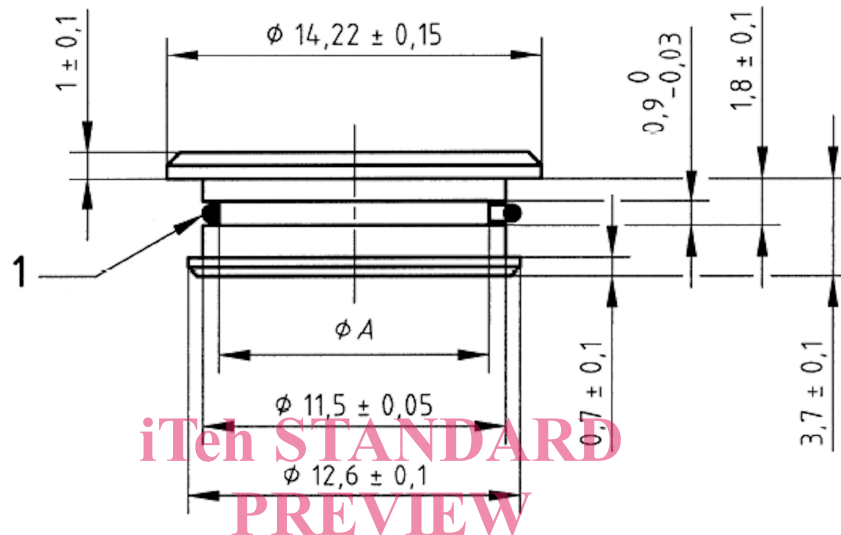
<https://standards.iteh.ai/catalog/standards/sist/a0ef418a-1b2c-468b-a546-22c56486413d/osist-pren-4165-017-2022>

#### 4 Required characteristics

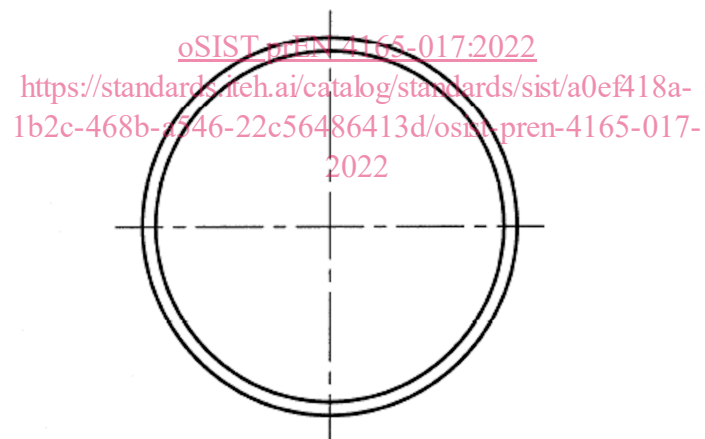
See Figure 1.

#### 5 Blank chimney for accessories

Dimensions are in millimetres.



STANDARD  
PREVIEW  
(standards.iteh.ai)



#### Key

- 1 Hexagonal clip, thread  $\emptyset 0,6$

Figure 1 — Blank chimney for accessory class