
Aeronavtika - Konektor, električni, pravokotni, modularni - Stalna delovna temperatura 175 °C - 026. del: Zaslonjeni pribor za enojne module - Standard za proizvod

Aerospace Series - Connector, electrical, rectangular, modular - Operating temperatures 175°C continuous - Part 026: Shielded accessories for single module - Product standard

Luft- und Raumfahrt - Elektrischer Rechtecksteckverbinder in modularer Bauweise - Betriebstemperatur 175 °C konstant - Teil 026: Endgehäuse für Steckverbinder für Einzelmodule - Produktnorm (standards.iteh.ai)

<https://standards.iteh.ai/catalog/standards/sist/62750cd7-a6ee-4332-82a0-b73c437f04ba/osist-pren-4165-026-2021>

Ta slovenski standard je istoveten z: prEN 4165-026

ICS:

31.220.10	Vtiči in vtičnice, konektorji	Plug-and-socket devices. Connectors
49.060	Letalska in vesoljska električna oprema in sistemi	Aerospace electric equipment and systems

oSIST prEN 4165-026:2021

en,fr,de

iTeh STANDARD PREVIEW
(standards.iteh.ai)

[oSIST prEN 4165-026:2021](https://standards.iteh.ai/catalog/standards/sist/62750cd7-a6ee-4332-82a0-b73c437f04ba/osist-pren-4165-026-2021)

<https://standards.iteh.ai/catalog/standards/sist/62750cd7-a6ee-4332-82a0-b73c437f04ba/osist-pren-4165-026-2021>

EUROPEAN STANDARD
NORME EUROPÉENNE
EUROPÄISCHE NORM

DRAFT
prEN 4165-026

August 2021

ICS 49.060

Will supersede EN 4165-026:2018

English Version

**Aerospace Series - Connector, electrical, rectangular,
modular - Operating temperatures 175°C continuous - Part
026: Shielded accessories for single module - Product
standard**

Luft- und Raumfahrt - Elektrischer
Rechtecksteckverbinder in modularer Bauweise -
Betriebstemperatur 175 °C konstant - Teil 026:
Endgehäuse für Steckverbinder für Einzelmodule -
Produktnorm

This draft European Standard is submitted to CEN members for enquiry. It has been drawn up by the Technical Committee ASD-STAN.

If this draft becomes a European Standard, CEN members are bound to comply with the CEN/CENELEC Internal Regulations which stipulate the conditions for giving this European Standard the status of a national standard without any alteration.

This draft European Standard was established by CEN in three official versions (English, French, German). A version in any other language made by translation under the responsibility of a CEN member into its own language and notified to the CEN-CENELEC Management Centre has the same status as the official versions.

CEN members are the national standards bodies of Austria, Belgium, Bulgaria, Croatia, Cyprus, Czech Republic, Denmark, Estonia, Finland, France, Germany, Greece, Hungary, Iceland, Ireland, Italy, Latvia, Lithuania, Luxembourg, Malta, Netherlands, Norway, Poland, Portugal, Republic of North Macedonia, Romania, Serbia, Slovakia, Slovenia, Spain, Sweden, Switzerland, Turkey and United Kingdom.

Recipients of this draft are invited to submit, with their comments, notification of any relevant patent rights of which they are aware and to provide supporting documentation.

Warning : This document is not a European Standard. It is distributed for review and comments. It is subject to change without notice and shall not be referred to as a European Standard.



EUROPEAN COMMITTEE FOR STANDARDIZATION
COMITÉ EUROPÉEN DE NORMALISATION
EUROPÄISCHES KOMITEE FÜR NORMUNG

CEN-CENELEC Management Centre: Rue de la Science 23, B-1040 Brussels

Contents	Page
European foreword	3
1 Scope.....	4
2 Normative references.....	4
3 Terms and definitions.....	4
4 Required characteristics	4
4.1 Shielded accessories for single module connector.....	4
4.1.1 General.....	4
4.1.2 Straight accessory — Without type code.....	7
4.1.3 Straight accessory with cable tie device — Type code A	8
4.1.4 Accessory with angle of 45° — Without type code.....	9
4.1.5 Accessory with angle of 45° and cable tie device — Type code A.....	10
4.1.6 Accessory with angle of 90° — Without type code.....	11
4.1.7 Accessory with angle of 90° and cable tie device — Type code A.....	12
4.2 Unplated composite accessories for single module connector.....	13
4.2.1 Accessory with universal angle — Type code C	13
4.2.2 Accessory with universal angle — Type code D.....	14
4.2.3 Accessory with universal angle — Type code U.....	15
4.3 Class	16
5 Designation	16
6 Marking	17
7 Technical specification	17
Bibliography	18

European foreword

This document (prEN 4165-026:2021) has been prepared by the Aerospace and Defence Industries Association of Europe — Standardization (ASD-STAN).

After enquiries and votes carried out in accordance with the rules of this Association, this document has received the approval of the National Associations and the Official Services of the member countries of ASD-STAN, prior to its presentation to CEN.

This document is currently submitted to the CEN Enquiry.

This document will supersede EN 4165-026:2018.

iTeh STANDARD PREVIEW (standards.iteh.ai)

[oSIST prEN 4165-026:2021](https://standards.iteh.ai/catalog/standards/sist/62750cd7-a6ee-4332-82a0-b73c437f04ba/osist-pren-4165-026-2021)

<https://standards.iteh.ai/catalog/standards/sist/62750cd7-a6ee-4332-82a0-b73c437f04ba/osist-pren-4165-026-2021>

prEN 4165-026:2021 (E)**1 Scope**

This document defines accessories of single modules connectors according to EN 4165-024 and EN 4165-025 used in the family of rectangular electrical connectors.

2 Normative references

The following documents are referred to in the text in such a way that some or all of their content constitutes requirements of this document. For dated references, only the edition cited applies. For undated references, the latest edition of the referenced document (including any amendments) applies.

EN 4165-001, *Aerospace series - Connectors, electrical, rectangular, modular - Operating temperature 175 °C continuous - Part 001: Technical specification*

EN 4165-002, *Aerospace series - Connectors, electrical, rectangular, modular - Operating temperature 175 °C continuous - Part 002: Specification of performance and contact arrangements*

EN 4165-024, *Aerospace series - Connectors, electrical, rectangular, modular - Operating temperature 175 °C continuous - Part 024: Single module plug - Product standard*

EN 4165-025, *Aerospace series - Connectors, electrical, rectangular, modular - Operating temperature 175 °C continuous - Part 025: Single module receptacle - Product standard*

3 Terms and definitions

For the purposes of this document, the terms and definitions given in EN 4165-001 apply.

ISO and IEC maintain terminological databases for use in standardization at the following addresses:

- ISO Online browsing platform: available at <https://www.iso.org/obp>
- IEC Electropedia: available at <https://www.electropedia.org/>

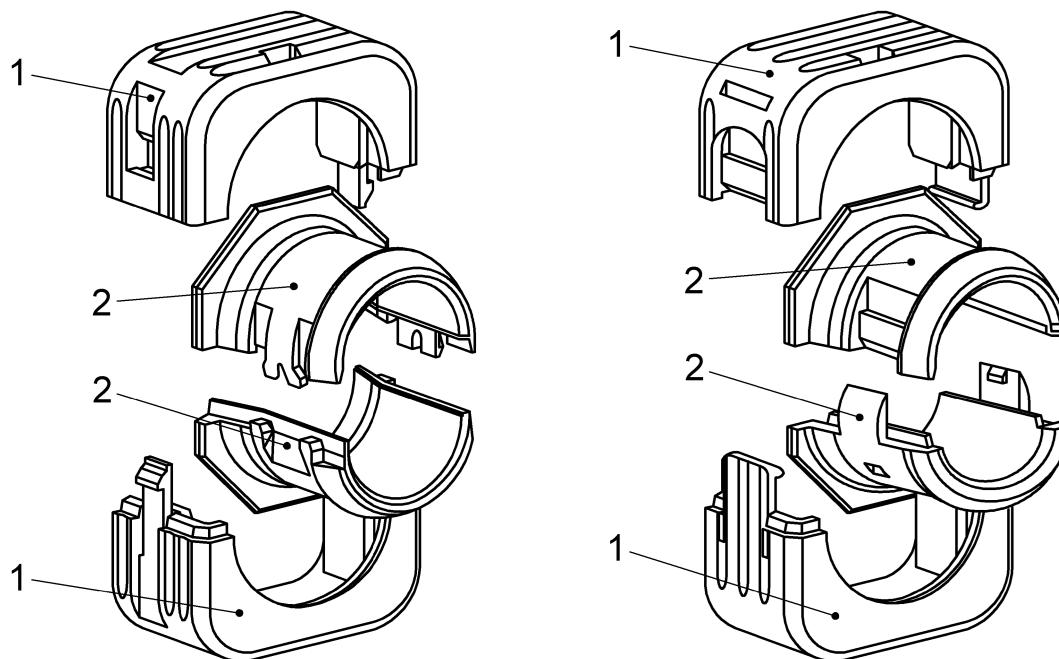
4 Required characteristics**4.1 Shielded accessories for single module connector****4.1.1 General**

See attachment principle on Figure 1.

Always delivered with attachment system.

No accessory is standardized to fit the single-module connectors with contact size 8 module (according to EN 4165-002) – a new accessory shall be required for standardization if specific need exists.

Alternative design:



Key

- 1 Accessory attachment system consisting of half clips
- 2 Accessory system consisting of two half sections permitting the termination of shielding using EN 3660-033 banding strap or equivalent

In case of 45° and 90° accessories, numbering system permit to give indication of angular position of the accessory.

oSIST prEN 4165-026:2021
<https://standards.iteh.ai/catalog/standards/sist/62750cd7-a6c1-4332-82a0-b73c437f04ba/osist-pren-4165-026-2021>
Figure 1 — Accessory assembly

See Figure 2.

Dimensions are in millimetres

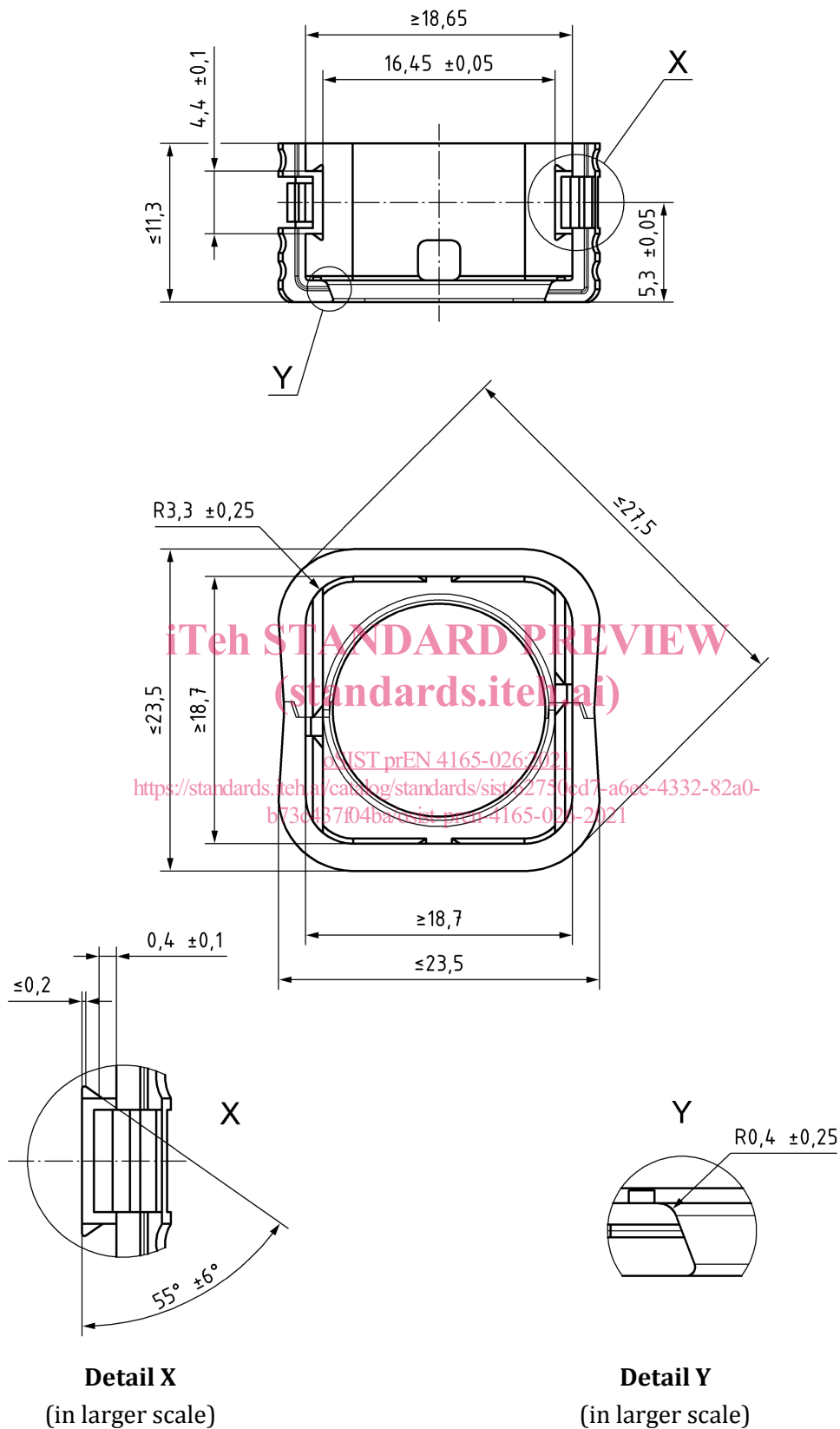


Figure 2 — Accessory attachment system

4.1.2 Straight accessory — Without type code

See Figure 3.

Mass: 5,6 g max.

Dimensions are in millimetres

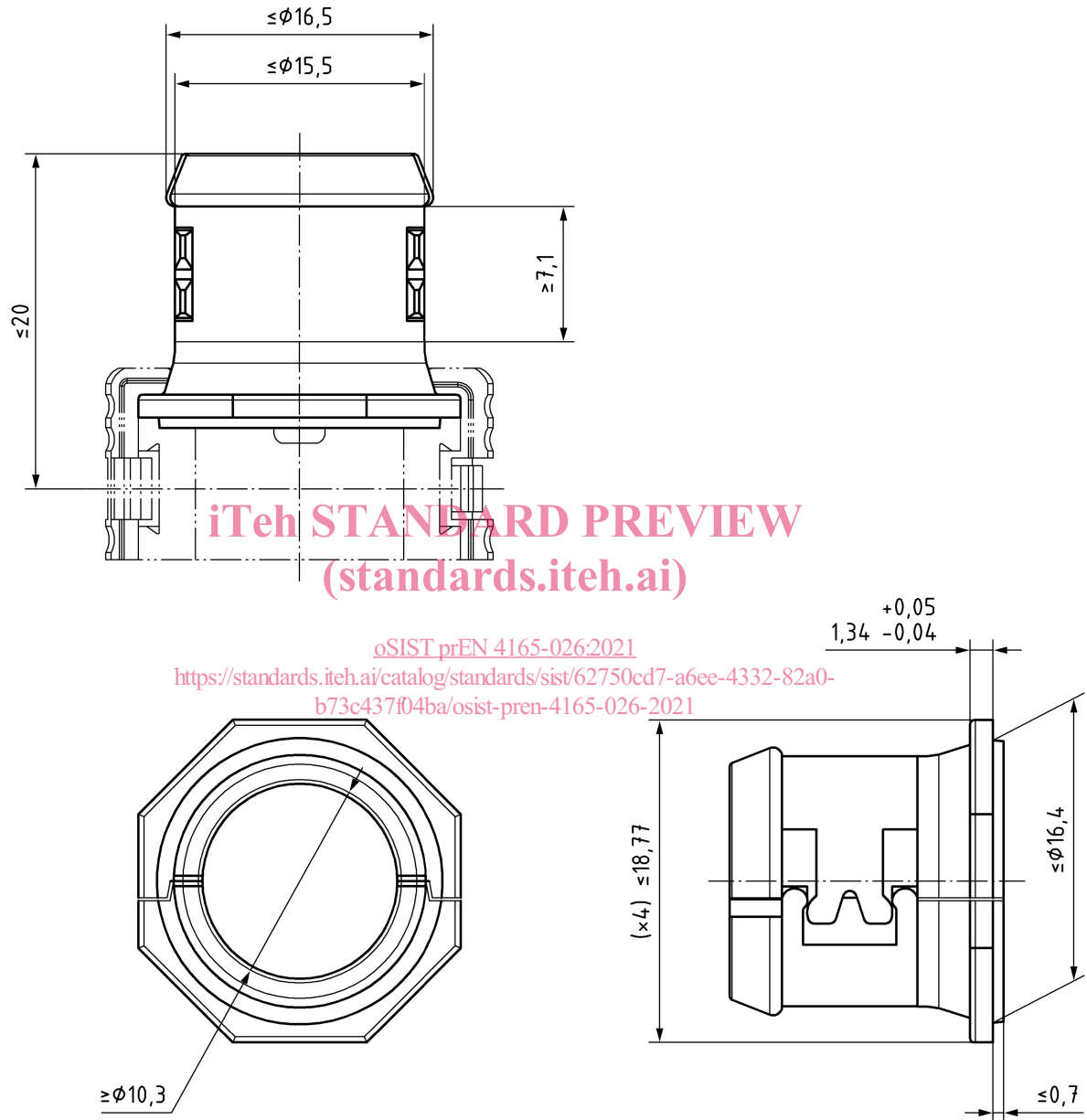


Figure 3 — Straight accessory

prEN 4165-026:2021 (E)

4.1.3 Straight accessory with cable tie device — Type code A

See Figure 4.

Mass: 5,7 g max.

Dimensions are in millimetres

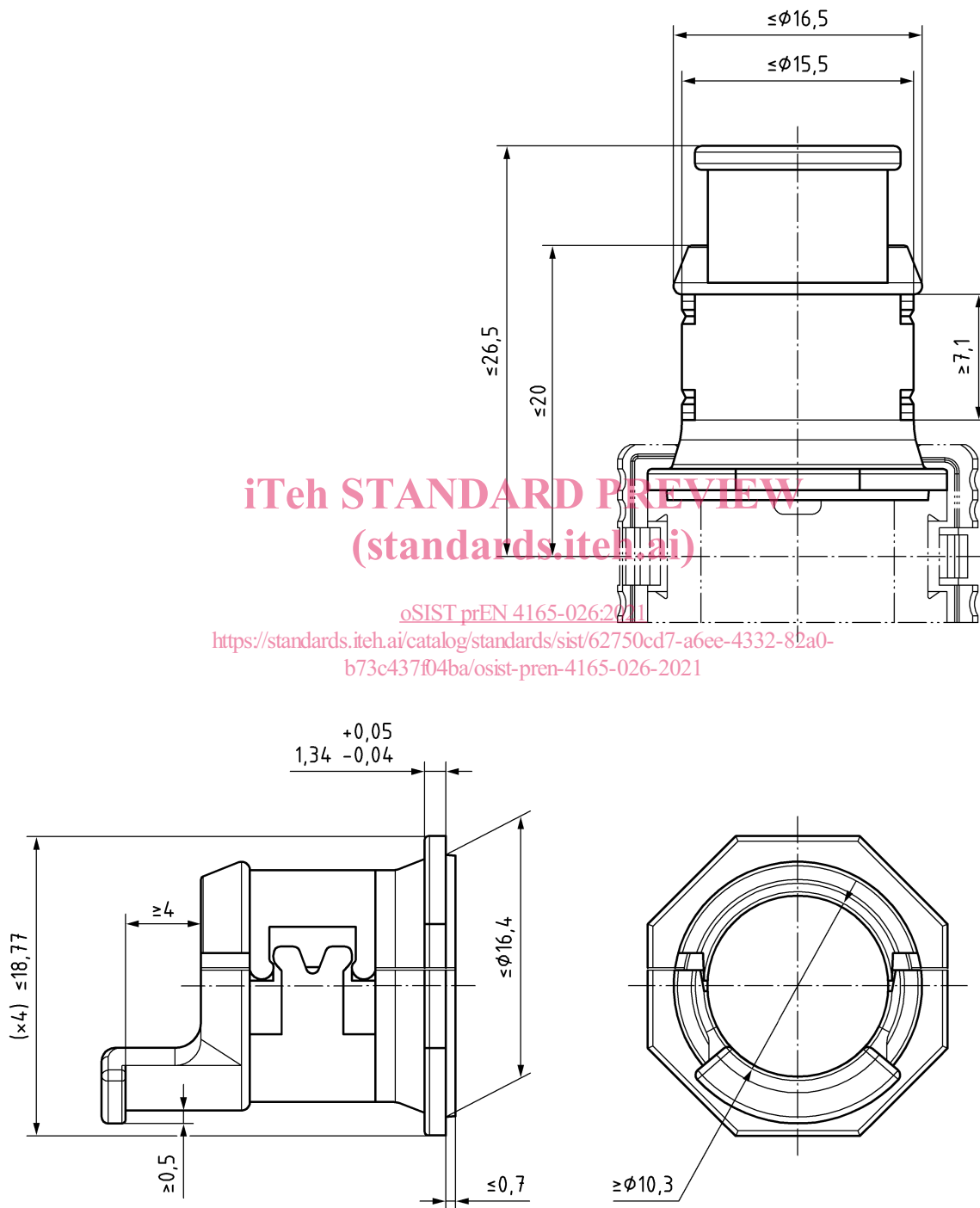


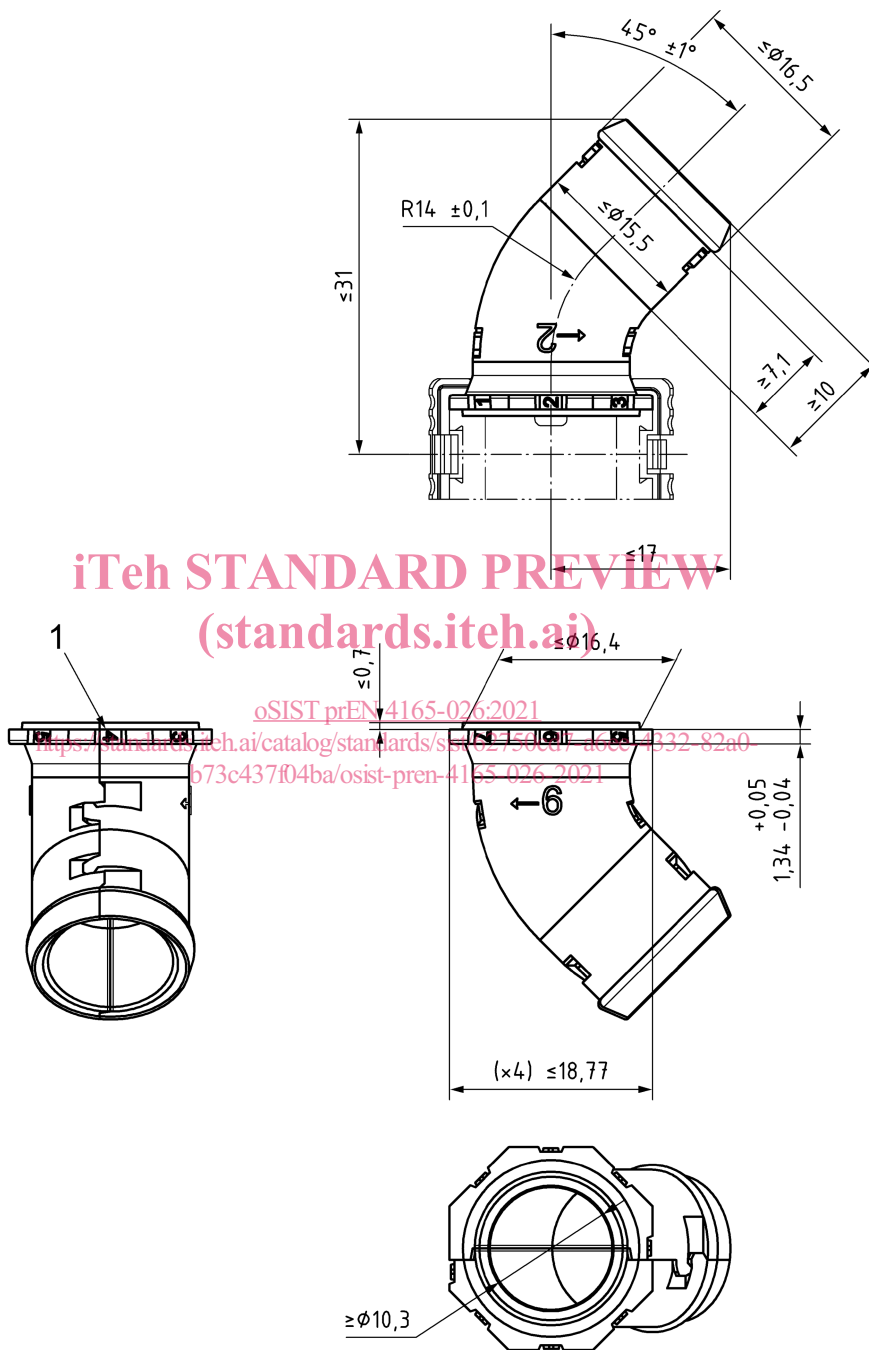
Figure 4 — Straight accessory with cable tie device

4.1.4 Accessory with angle of 45° — Without type code

See Figure 5.

Mass: 7,5 g max.

Dimensions are in millimetres



Key

- 1 Angular position indication (0 to 7)

Figure 5 — Accessory with angle of 45°