



SLOVENSKI STANDARD

SIST ISO 9177-1:2017

01-maj-2017

Nadomešča:
SIST ISO 9177-1:2012

Tehnični svinčniki za tehnično risanje - 1. del: Razvrstitev, mere, zahtevane karakteristike in preskušanje

Mechanical pencils for technical drawings - Part 1: Classification, dimensions, performance requirements and testing

iTeh STANDARD PREVIEW
(standards.iteh.ai)

Porte-mines pour le dessin technique - Partie 1: Classification, dimensions, exigences de performance et essais

[SIST ISO 9177-1:2017](#)

[https://standards.iteh.ai/catalog/standards/sist/2c6994d3-f42a-431e-9268-](https://standards.iteh.ai/catalog/standards/sist/2c6994d3-f42a-431e-9268-8a575001035f/sist-iso-9177-1-2017)

[8a575001035f/sist-iso-9177-1-2017](https://standards.iteh.ai/catalog/standards/sist/2c6994d3-f42a-431e-9268-8a575001035f/sist-iso-9177-1-2017)

Ta slovenski standard je istoveten z: ISO 9177-1:2016

ICS:

01.100.40

Risalna oprema

Drawing equipment

SIST ISO 9177-1:2017

en,fr

iTeh STANDARD PREVIEW
(standards.iteh.ai)

SIST ISO 9177-1:2017

<https://standards.iteh.ai/catalog/standards/sist/2c6994d3-f42a-431e-9268-8a575001035f/sist-iso-9177-1-2017>

INTERNATIONAL
STANDARD

ISO
9177-1

Third edition
2016-10-01

**Mechanical pencils for technical
drawings —**

Part 1:
**Classification, dimensions,
performance requirements and testing**

iTeh STANDARD PREVIEW
Porte-mines pour le dessin technique —

(standards.iteh.ai)
Partie 1: Classification, dimensions, exigences de performance et essais

SIST ISO 9177-1:2017

<https://standards.iteh.ai/catalog/standards/sist/2c6994d3-f42a-431e-9268-8a575001035f/sist-iso-9177-1-2017>



Reference number
ISO 9177-1:2016(E)

© ISO 2016

iTeh STANDARD PREVIEW
(standards.iteh.ai)

SIST ISO 9177-1:2017

<https://standards.iteh.ai/catalog/standards/sist/2c6994d3-f42a-431e-9268-8a575001035f/sist-iso-9177-1-2017>



COPYRIGHT PROTECTED DOCUMENT

© ISO 2016, Published in Switzerland

All rights reserved. Unless otherwise specified, no part of this publication may be reproduced or utilized otherwise in any form or by any means, electronic or mechanical, including photocopying, or posting on the internet or an intranet, without prior written permission. Permission can be requested from either ISO at the address below or ISO's member body in the country of the requester.

ISO copyright office
Ch. de Blandonnet 8 • CP 401
CH-1214 Vernier, Geneva, Switzerland
Tel. +41 22 749 01 11
Fax +41 22 749 09 47
copyright@iso.org
www.iso.org

Contents

	Page
Foreword	iv
1 Scope	1
2 Normative references	1
3 Terms and definitions	1
4 Classification	1
5 Dimensions	5
5.1 Nominal diameter	5
5.2 Bore size of guide pipe (mechanical pencils of push-type F and screw-type S)	5
5.3 Outer diameter of guide pipe	6
6 Performance requirements	6
6.1 General	6
6.2 Clamping force (mechanical pencils of push-types F and L)	6
6.3 Lead position relative to spiral clearance (mechanical pencils of screw-type S)	6
7 Testing	6
7.1 General	6
7.2 Clamping force (mechanical pencils of push-types F and L)	6
7.3 Lead position relative to spiral clearance (mechanical pencils of screw-type S)	7
8 Designation	7

ITeH STANDARD PREVIEW
(standards.iteh.ai)

[SIST ISO 9177-1:2017](https://standards.iteh.ai/catalog/standards/sist/2c6994d3-f42a-431e-9268-8a575001035f/sist-iso-9177-1-2017)

<https://standards.iteh.ai/catalog/standards/sist/2c6994d3-f42a-431e-9268-8a575001035f/sist-iso-9177-1-2017>

ISO 9177-1:2016(E)

Foreword

ISO (the International Organization for Standardization) is a worldwide federation of national standards bodies (ISO member bodies). The work of preparing International Standards is normally carried out through ISO technical committees. Each member body interested in a subject for which a technical committee has been established has the right to be represented on that committee. International organizations, governmental and non-governmental, in liaison with ISO, also take part in the work. ISO collaborates closely with the International Electrotechnical Commission (IEC) on all matters of electrotechnical standardization.

The procedures used to develop this document and those intended for its further maintenance are described in the ISO/IEC Directives, Part 1. In particular the different approval criteria needed for the different types of ISO documents should be noted. This document was drafted in accordance with the editorial rules of the ISO/IEC Directives, Part 2 (see www.iso.org/directives).

Attention is drawn to the possibility that some of the elements of this document may be the subject of patent rights. ISO shall not be held responsible for identifying any or all such patent rights. Details of any patent rights identified during the development of the document will be in the Introduction and/or on the ISO list of patent declarations received (see www.iso.org/patents).

Any trade name used in this document is information given for the convenience of users and does not constitute an endorsement.

For an explanation on the meaning of ISO specific terms and expressions related to conformity assessment, as well as information about ISO's adherence to the World Trade Organization (WTO) principles in the Technical Barriers to Trade (TBT) see the following URL: www.iso.org/iso/foreword.html.

The committee responsible for this document is ISO/TC 10, *Technical product documentation*.

This third edition cancels and replaces the second edition (ISO 9177-1:2011), of which it constitutes a minor revision.

ISO 9177 consists of the following parts, under the general title *Mechanical pencils for technical drawings*:

- *Part 1: Classification, dimensions, performance requirements and testing*
- *Part 2: Black leads — Classification and dimensions*
- *Part 3: Black leads — Bending strengths of HB leads*

Mechanical pencils for technical drawings —

Part 1: Classification, dimensions, performance requirements and testing

1 Scope

This part of ISO 9177 specifies classification, dimensions, performance requirements and testing for hand-held mechanical pencils used for technical drawings.

2 Normative references

The following documents, in whole or in part, are normatively referenced in this document and are indispensable for its application. For dated references, only the edition cited applies. For undated references, the latest edition of the referenced document (including any amendments) applies.

ISO 128-20, *Technical drawings — General principles of presentation — Part 20: Basic conventions for lines*

ISO 9177-2, *Mechanical pencils — Part 2: Black leads — Classification and dimensions*

3 Terms and definitions

For the purposes of this document, the following terms and definitions apply.

3.1

mechanical pencil

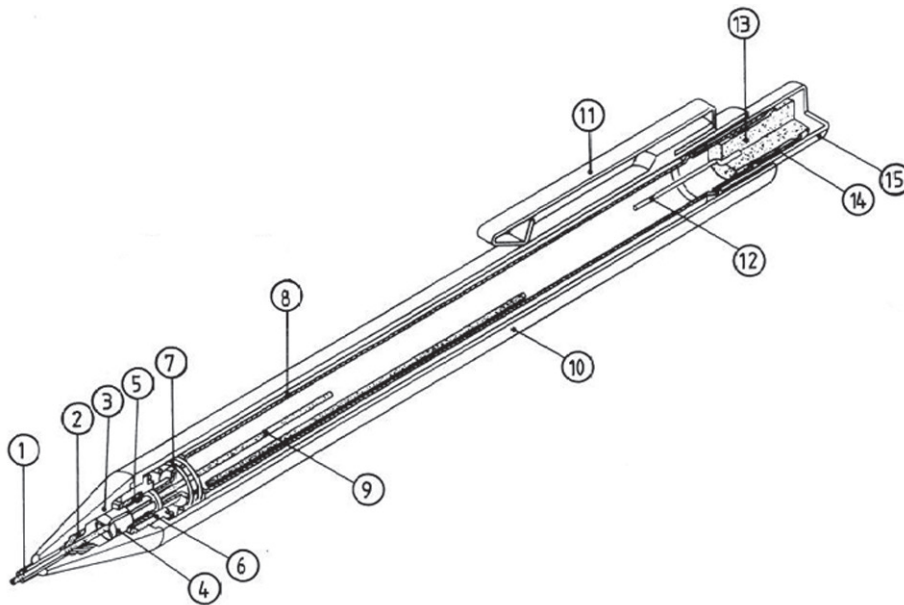
hand-held line-producing tool which holds and feeds out a lead, for technical drawings

4 Classification

Mechanical pencils shall be classified according to the type of mechanism (see [Table 1](#)) and to the nominal diameter (see [Table 2](#)). For the classification and dimensions of the leads (diameter and length), see ISO 9177-2.

Table 1 — Classification according to type of mechanism

Mechanism	Type classification letter	Description	Relevant figure
Push-type	F ^a	Mechanical pencil in which the lead, housed in a barrel,	1
	L ^b	is fed out by actuating a push mechanism	2
Screw-type	S	Mechanical pencil in which the lead, housed in a barrel, is fed out by actuating a propelling screw mechanism	3
^a Mainly polymer leads having a nominal diameter of 0,35 to 1 mm.			
^b Mainly ceramic leads having a nominal diameter of 2 mm (see ISO 9177-2).			

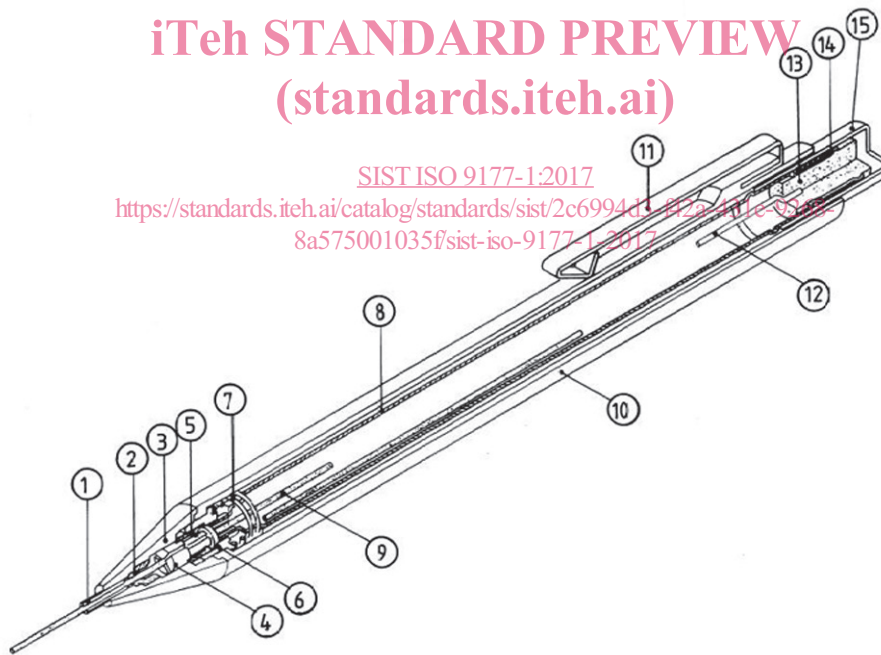


a) Lead in working position

iTeh STANDARD PREVIEW
(standards.iteh.ai)

SIST ISO 9177-1:2017

<https://standards.iteh.ai/catalog/standards/sist/2c6994d1-4422-411e-8194-8a575001035f/sist-iso-9177-1-2017>

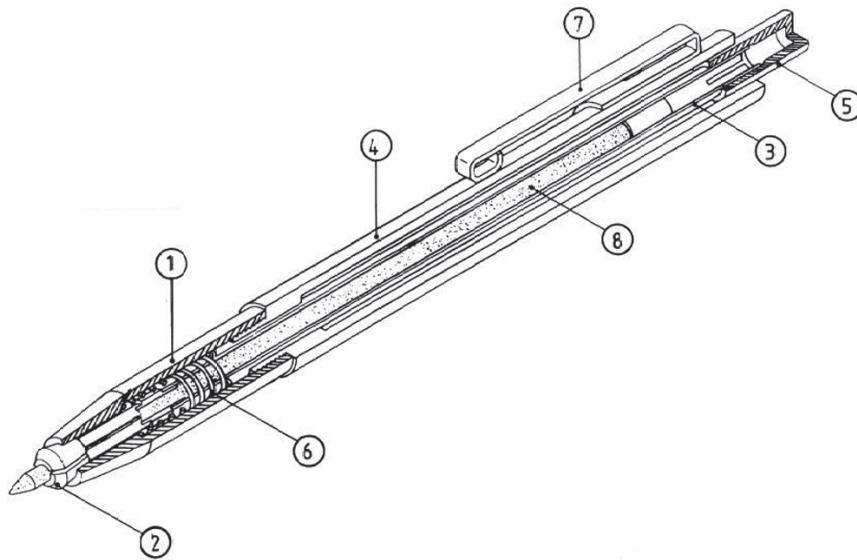


b) Lead in feeding position

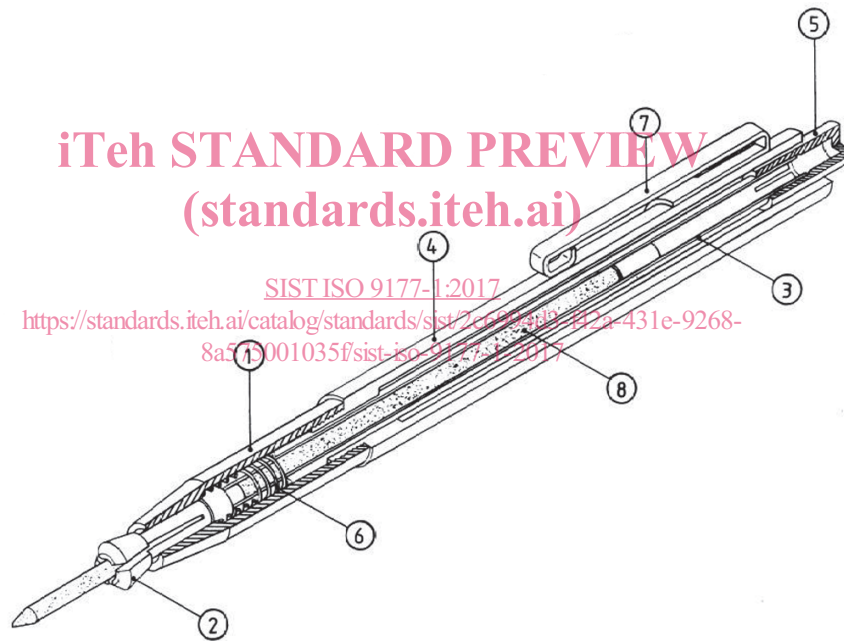
Key

1	guide pipe	6	nipple	11	clip
2	lead retainer	7	spring	12	cleaning pin
3	metal tip	8	lead tube	13	eraser
4	chuck	9	lead	14	eraser ferrule
5	chuck ring	10	barrel	15	push button

Figure 1 — Mechanical pencil of push-type F



a) Lead in working position



b) Lead in feeding position

Key

1	metal tip	5	push button
2	chuck	6	spring
3	lead tube	7	clip
4	barrel	8	lead

Figure 2 — Mechanical pencil of push-type L