



SLOVENSKI STANDARD

SIST EN 200:2005

01-marec-2005

BUXca Yý U
SIST EN 200:1996

Sanitary tapware - Single taps and combination taps (PN 10) - General technical specification

Sanitary tapware - Single taps and combination taps (PN 10) - General technical specification

iTeh STANDARD PREVIEW

(standards.iteh.ai)

Sanitärarmaturen - Auslaufventile und Mischbatterien (PN 10) - Allgemeine technische Spezifikation

[SIST EN 200:2005](https://standards.iteh.ai/catalog/standards/sist/4aba76c6-3a0-43b6-a3f9-7c5e17c5e17c/sist-en-200-2005)

<https://standards.iteh.ai/catalog/standards/sist/4aba76c6-3a0-43b6-a3f9-7c5e17c5e17c/sist-en-200-2005>

Robinetterie sanitaire - Robinets simples et mélangeurs (PN 10) - Spécifications techniques générales

Ta slovenski standard je istoveten z: EN 200:2004

ICS:

91.140.70 Sanitarne naprave Sanitary installations

SIST EN 200:2005

en

iTeh STANDARD PREVIEW
(standards.iteh.ai)

SIST EN 200:2005

<https://standards.iteh.ai/catalog/standards/sist/4aba76c6-f3a0-43b6-a3f9-e0c83d4297a5/sist-en-200-2005>

English version

Sanitary tapware - Single taps and combination taps (PN 10) - General technical specification

Robinetterie sanitaire - Robinets simples et mélangeurs
(PN 10) - Spécifications techniques générales

Sanitärarmaturen - Auslaufventile und Mischbatterien (PN
10) - Allgemeine technische Spezifikation

This European Standard was approved by CEN on 8 August 2004.

CEN members are bound to comply with the CEN/CENELEC Internal Regulations which stipulate the conditions for giving this European Standard the status of a national standard without any alteration. Up-to-date lists and bibliographical references concerning such national standards may be obtained on application to the Central Secretariat or to any CEN member.

This European Standard exists in three official versions (English, French, German). A version in any other language made by translation under the responsibility of a CEN member into its own language and notified to the Central Secretariat has the same status as the official versions.

iTeh STANDARD PREVIEW

CEN members are the national standards bodies of Austria, Belgium, Cyprus, Czech Republic, Denmark, Estonia, Finland, France, Germany, Greece, Hungary, Iceland, Ireland, Italy, Latvia, Lithuania, Luxembourg, Malta, Netherlands, Norway, Poland, Portugal, Slovakia, Slovenia, Spain, Sweden, Switzerland and United Kingdom.

[SIST EN 200:2005](https://standards.iteh.ai/catalog/standards/sist/4aba76c6-f3a0-43b6-a3f9-e0c83d4297a5/sist-en-200-2005)

<https://standards.iteh.ai/catalog/standards/sist/4aba76c6-f3a0-43b6-a3f9-e0c83d4297a5/sist-en-200-2005>



EUROPEAN COMMITTEE FOR STANDARDIZATION
COMITÉ EUROPÉEN DE NORMALISATION
EUROPÄISCHES KOMITEE FÜR NORMUNG

Management Centre: rue de Stassart, 36 B-1050 Brussels

Contents

Page

Foreword.....	4
1 Scope	6
2 Normative references	10
3 Designation	10
4 Marking and identification	11
4.1 Marking	11
4.2 Identification.....	12
5 Materials	12
5.1 Chemical and hygiene requirements	12
5.2 Exposed surface conditions	12
6 Dimensional characteristics	12
6.1 General remarks.....	12
7 Leaktightness characteristics	20
7.1 General.....	20
7.2 Test methods.....	20
7.2.1 Principle	20
7.3 Apparatus	20
7.4 Leaktightness of the obturator and of the tap upstream of the obturator.....	20
7.4.1 Procedure	20
7.4.2 Requirements	21
7.5 leaktightness of the tap downstream of the obturator.....	21
8 Pressure resistance characteristics -mechanical performance under pressure.....	25
8.1 General.....	25
8.2 Principle.....	25
8.3 Apparatus	25
8.4 Mechanical behaviour upstream - Obturator in the closed position.....	25
8.4.1 Procedure	25
8.4.2 Requirement.....	26
8.5 Mechanical behaviour downstream - Obturator in the open position.....	26
9 Hydraulic characteristics	27
9.1 General.....	27
9.2 Test method.....	27
9.2.1 Principle	27
9.2.2 Apparatus	27
9.2.3 Procedure	27
9.3 Requirement.....	27
10 Mechanical strength characteristics - torsion test for operating mechanism	28
10.1 General.....	28
10.2 Test method.....	29
10.2.1 Principle	29
10.2.2 Apparatus	29
10.2.3 Test piece	29
10.2.4 Requirement.....	29
11 Mechanical endurance characteristics.....	29
11.1 Mechanical endurance characteristics of the operating mechanism	29
11.1.1 General.....	29
11.1.2 Test method.....	29

11.1.3	Procedure	30
11.1.4	Requirement.....	30
11.2	Mechanical endurance of diverters	31
11.2.1	General.....	31
11.2.2	Test method	31
11.2.3	Procedure	31
11.2.4	Requirement.....	32
11.3	Mechanical endurance of swivel spouts (single and divided outlet type).....	33
11.3.1	General.....	33
11.3.2	Test method	33
11.3.3	Procedure divided outlet type	34
11.3.4	Procedure single outlet type	34
11.3.5	Requirements	34
12	Backflow protection	35
13	Acoustic characteristics	35
13.1	General.....	35
13.2	Procedure	35
13.3	Requirements	35
13.3.1	Flow rate class of draw-off taps	35
13.3.4	Expression of results	36
13.3.5	Determination of acoustic group	36
Annex A (informative) Pressure take-off tee.....		39
Bibliography		44

iTeh STANDARD PREVIEW
(standards.iteh.ai)

SIST EN 200:2005

<https://standards.iteh.ai/catalog/standards/sist/4aba76c6-f3a0-43b6-a3f9-e0c83d4297a5/sist-en-200-2005>

Foreword

This document (EN 200:2004) has been prepared by Technical Committee CEN/TC 164 "Water supply", the secretariat of which is held by AFNOR.

This European Standard shall be given the status of a national standard, either by publication of an identical text or by endorsement, at the latest by June 2005, and conflicting national standards shall be withdrawn at the latest by June 2005.

This document supersedes EN 200:1989.

This document acknowledges the field of application of tapware used in:

- water supply systems of Type 1 (see Figure 1 and Table 1) with a pressure range of 0,05 MPa (0,5 bar) to 1,0 MPa (10 bar);
- water supply systems of Type 2 (see Figure 2 and Table 1) with a pressure range of 0,01 MPa (0,1 bar) to 1,0 MPa (10 bar) – which combines mains-fed and cistern-fed water supply systems.

According to the CEN/CENELEC Internal Regulations, the national standards organizations of the following countries are bound to implement this European Standard: Austria, Belgium, Cyprus, Czech Republic, Denmark, Estonia, Finland, France, Germany, Greece, Hungary, Iceland, Ireland, Italy, Latvia, Lithuania, Luxembourg, Malta, Netherlands, Norway, Poland, Portugal, Slovakia, Slovenia, Spain, Sweden, Switzerland and the United Kingdom.

[SIST EN 200:2005](https://standards.iteh.ai/catalog/standards/sist/4aba76c6-3a0-43b6-a3f9-e0c83d4297a5/sist-en-200-2005)

<https://standards.iteh.ai/catalog/standards/sist/4aba76c6-3a0-43b6-a3f9-e0c83d4297a5/sist-en-200-2005>

Introduction

In respect of potential adverse effects on the quality of water intended for human consumption, caused by the product covered by this document.

This document provides no information as to whether the product may be used without restriction in any of the Member States of the EU or EFTA.

It should be noted that, while awaiting the adoption of verifiable European criteria, existing national regulations concerning the use and/or the characteristics of these products remain in force.

iTeh STANDARD PREVIEW (standards.iteh.ai)

[SIST EN 200:2005](https://standards.iteh.ai/catalog/standards/sist/4aba76c6-f3a0-43b6-a3f9-e0c83d4297a5/sist-en-200-2005)

<https://standards.iteh.ai/catalog/standards/sist/4aba76c6-f3a0-43b6-a3f9-e0c83d4297a5/sist-en-200-2005>

1 Scope

This document specifies:

- the field of application for pillar taps, bib taps, single and multi-hole combination taps:
 - for a supply system Type 1, (see Figure 1);
 - for a supply system (Type 2, (see Figure 2);
- the dimensional, tightness, pressure resistance, hydraulic, mechanical strength, endurance and acoustic characteristics of nominal size $\frac{1}{2}$ and $\frac{3}{4}$ single taps and combination taps;
- test methods to verify the characteristics.

NOTE Tests described in this document are type tests and not quality control tests carried out during manufacture.

This document applies to draw-off taps (single taps and combination taps) for use with sanitary appliances installed in rooms used for bodily hygiene (cloakrooms, bathrooms etc.) and in kitchens i.e. for use with baths, wash basins, bidets, showers and sinks.

Figure 1 shows the supply system of Type 1 with a pressure range of (0,05 to 1,0) MPa (0,5 to 10) bar.

Figure 2 shows the supply system of Type 2 with a pressure range of (0,01 to 1,0) MPa (0,1 to 10) bar.

This document applies to sanitary draw-off taps of nominal size $\frac{1}{2}$ and $\frac{3}{4}$ (PN 10).

The conditions of use and classifications are given in Table 1.

It does not cover mechanical mixing valves, thermostatic mixing valves, shower accessories or taps adapted for special use (e.g. hose union taps)

Table 1 — Conditions of use/Classifications

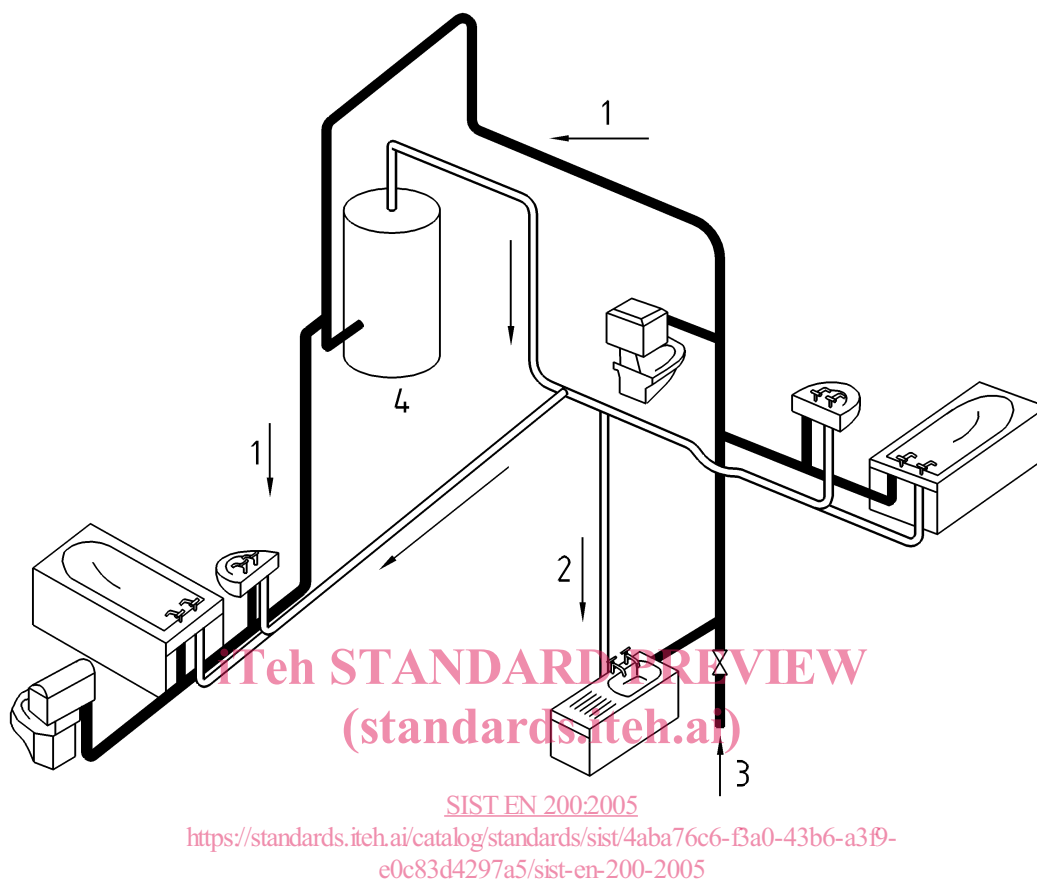
Water Supply system	Operating range of taps		Flow rate classes	Acoustics	Marking
	Limits	Recommended	See Table 10	See Clause 13	See Clause 4
Type 1 see Figure 1	<u>Dynamic Pressure</u> ≥ 0,05 MPa (0,5 bar) <u>Static Pressure</u> ≤ 1,0 MPa (10,0 bar)	<u>Dynamic Pressure</u> (0,1 to 0,5) MPa (1.0 to 5,0) bar * see note b)	Z ≤ 0,15 l/s A ≤ 0,25 l/s S ≤ 0,33 l/s B ≤ 0,42 l/s C ≤ 0,50 l/s D ≤ 0,63 l/s	Group I - Group II -	for example I / A II / BC I./- ^a II./- ^a
Type 2 see Figure 2	<u>Dynamic Pressure</u> ≥ 0,01 MPa (0,1 bar) <u>Static Pressure</u> ≤ 1,0 MPa (10,0 bar)	<u>Dynamic Pressure</u> (0,01 to 0,2) MPa (0,1 to 2,0) bar * see note b)	See Table 8 X ≤ 0,125 l/s Y ≤ 0,250 l/s R ≤ 0,125/ 0,070 l/s	-Note c) (unclassified)	X Y R
Temperature	≤ 90 °C Lower limit: as for installation ≤ 65 °C				
^a Without flow rate class: Taps without interchangeable outlet accessories are tested with the original outlet accessories of the manufacturer and not marked with a flow rate class. ^b Measured at the shower outlet when incorporated. ^c There is usually no acoustic classification for taps used in supply systems of type 2 and no specifications governing the level of noise emissions from these water installations. If supply pressures are such that excessive noise is generated it is recommended that pressure or flow regulators are fitted in the system, or where practicable, taps conforming to the appropriate acoustic classification given in 13.3.5 are used.					

NOTE If Taps are used at dynamic pressures outside the recommended operating range consideration should be given to the following characteristics:

- the force required to operate the tap and diverter;
- diverter operation and flow rate;
- mechanical wear;
- acoustical performance.

Take notice of:

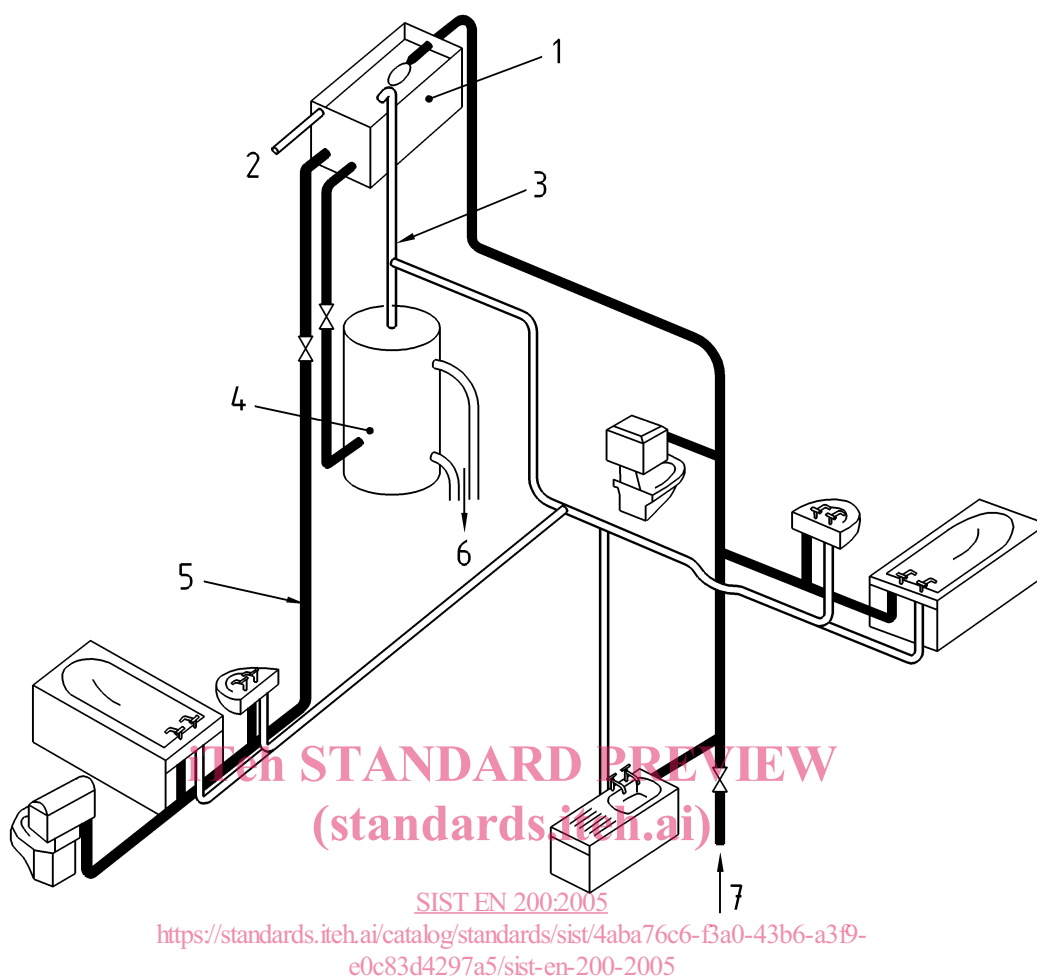
Issue	Supply system Type 1	Supply system Type 2
Operational Force	Taps for type 2 systems having rapid action mechanisms may require a higher operating force	
Diverter Operation	Taps for type 2 systems may require more operational force	Taps for type 1 systems with automatic diverters may not hold in the shower mode due to low dynamic supply pressure.
Flow Performance	Taps for type 2 systems may result in excessive flow velocities	Taps for type 1 systems may not provide an acceptable rate of flow
Noise	National regulations may require an acoustically classified Tap to be specified. Taps for type 1 and 2 systems may result in excessive noise when used above the recommended max pressure	



Key

- 1 Cold water
- 2 Hot water
- 3 Mains supply pipe (Supply pressures up to 10 bar)
- 4 Water heater

Figure 1 — Supply system type 1 - with a pressure range of (0,05 to 1,0) MPa (0,5 to 10) bar.



Key

- 1 Cold water storage cistern (cover omitted for clarity)
- 2 Warning pipe
- 3 Vent pipe
- 4 Hot water cylinder
- 5 Alternative cistern fed cold supply to sanitary appliances
- 6 To boiler
- 7 Mains supply pipe (Supply pressures up to 10 bar)

Figure 2 — Type 2-Supply system - with a pressure range of (0,01 to 1,0) MPa, (0,1 to 10) bar A vented domestic hot water and cold water supply system incorporating gravity hot water, mains cold water and alternative gravity cold water supply to sanitary appliances

2 Normative references

The following referenced documents are indispensable for the application of this document. For dated references, only the edition cited applies. For undated references, the latest edition of the referenced document (including any amendments) applies.

EN 246, *Sanitary tapware – General specifications for flow rate regulators.*

EN 248, *Sanitary tapware – General specification for electrodeposited coatings of Ni-Cr.*

EN 1112, *Shower outlets for (PN 10) sanitary tapware.*

EN 1113, *Showers hoses for (PN 10) sanitary tapware.*

EN 1717, *Protection against pollution of potable water in water installations and general requirements of devices to prevent pollution by backflow.*

prEN 13618, *Water supply – Flexible hoses (elastomeric or plastic material hose with or without metallic or synthetic braiding) – Product standard.*

EN 13904, *Low resistance shower outlets for sanitary tapware.*

EN 13905, *Low resistance shower hoses for sanitary tapware.*

EN ISO 228-1, *Pipe threads where pressure-tight joints are not made on the threads - Part 1: Dimensions, tolerances and designation (ISO 228-1:2000).*

EN ISO 3822-1, *Acoustics: Laboratory tests on noise emission from appliances and equipment used in water supply installations – Part 1: Method of measurement (ISO 3822-1:1999).*

EN ISO 3822-2, *Acoustics: Laboratory tests on noise emission from appliances and equipment used in water supply installations – Part 2: Mounting and operating conditions for draw-off taps and mixing valves (ISO 3822-2:1995).*

EN ISO 3822-3, *Acoustics – Laboratory tests on noise emission from appliances and equipment used in water supply installations – Part 3: Mounting and operating conditions for in-line valves and appliances (ISO 3822-3:1997).*

EN ISO 3822-4, *Acoustics: Laboratory tests on noise emission from appliances and equipment used in water supply installations – Part 4: Mounting and operating conditions for special appliances (ISO 3822-4:1995).*

3 Designation

The taps covered by this document are designated (see Table 2) by reference to:

- supply system of Type 1 or Type 2 (see Table 1);
- nominal size ($\frac{1}{2}$ or $\frac{3}{4}$);
- this document.

For example: combination tap, nominal size $\frac{1}{2}$, 2-hole with combined visible body, mounting on horizontal surface, diverter, fixed outlet, flow rate class(es), with acoustic group, EN.

Table 2 — Designation

Tapware according to application (see Table 1)	
Type of tap	Pillar or bib tap or combination tap (see Figure 3)
Intended use	Basin, bidet, sink, bath or shower
Mounting method	Horizontal or vertical surfaces
Body	Single or multi-hole, visible, or concealed
Diverter	with or without diverter
Type of outlet	Fixed-, moveable-, divided outlet spout, with or without flow rate regulator
Acoustic group and classification	
Taps for system type 1	Group I, or group II, or unclassified
Taps for system type 2	
Flow rate class of taps	
Supply system type 1	Z, A, S, B, C, D
Supply system type 2	X, Y, R
Ref. to the European Standard	EN 200

SIST EN 200:2005

4 Marking and identification

4.1 Marking

4.1.1 Taps for a supply system Type 1 shall be marked permanently and legibly with:

- manufacturer's or agent's name or identification - on the body or handle;
- manufacturer's name or identification - on the headwork;
- acoustic group (see Table 11) and the flow rate class(es) (see Table 10) - on the body.

NOTE Marking of flow rate class(es) is only necessary if the tap has provision for connecting an interchangeable outlet accessory and is tested with a standard low-noise flow resistance specified in Table 10.

Examples of marking:

Name or identification and I/A, or II/A (acoustic group and flow rate class(es) see Table 10).

Name or identification and I/-, or II/- (acoustic group, without flow rate class(es)).

Name or identification and I/CA, or II/CA (Bath/Shower tap; the first letter for the bath outlet, the second letter for the shower outlet).

4.1.2 Taps for a supply system Type 2 shall be marked permanently and legibly with:

- manufacturer's or agent's name or identification - on the body or handle;
- manufacturer's name or identification - on the headwork;