
Gospodinjski in podobni električni aparati - Varnost - 2-52. del: Posebne zahteve za aparate za ustno nego (IEC 60335-2-52:2002/A2:2017) - Dopolnilo A2

Household and similar electrical appliances - Safety - Part 2-52: Particular requirements for appliances for oral hygiene appliances (IEC 60335-2-52:2002/A2:2017)

Sicherheit elektrischer Geräte für den Hausgebrauch und ähnliche Zwecke - Teil 2-52: Besondere Anforderungen für Mundpflegegeräte (IEC 60335-2-52:2002/A2:2017)

Appareils électrodomestiques et analogues - Sécurité - Partie 2-52: Règles particulières pour les appareils d'hygiène buccale (IEC 60335-2-52:2002/A2:2017)

Ta slovenski standard je istoveten z: EN 60335-2-52:2003/A2:2023

ICS:

13.120	Varnost na domu	Domestic safety
97.170	Oprema za nego telesa	Body care equipment

SIST EN 60335-2-52:2003/A2:2023 **en**

EUROPEAN STANDARD

EN 60335-2-52:2003/A2

NORME EUROPÉENNE

EUROPÄISCHE NORM

June 2023

ICS 13.120; 97.170

English Version

Household and similar electrical appliances - Safety - Part 2-52:
Particular requirements for appliances for oral hygiene
appliances
(IEC 60335-2-52:2002/A2:2017)

Appareils électrodomestiques et analogues - Sécurité -
Partie 2-52: Règles particulières pour les appareils
d'hygiène buccale
(IEC 60335-2-52:2002/A2:2017)

Sicherheit elektrischer Geräte für den Hausgebrauch und
ähnliche Zwecke - Teil 2-52: Besondere Anforderungen für
Mundpflegegeräte
(IEC 60335-2-52:2002/A2:2017)

This amendment A2 modifies the European Standard EN 60335-2-52:2003; it was approved by CENELEC on 2022-03-14. CENELEC members are bound to comply with the CEN/CENELEC Internal Regulations which stipulate the conditions for giving this amendment the status of a national standard without any alteration.

Up-to-date lists and bibliographical references concerning such national standards may be obtained on application to the CEN-CENELEC Management Centre or to any CENELEC member.

This amendment exists in three official versions (English, French, German). A version in any other language made by translation under the responsibility of a CENELEC member into its own language and notified to the CEN-CENELEC Management Centre has the same status as the official versions.

CENELEC members are the national electrotechnical committees of Austria, Belgium, Bulgaria, Croatia, Cyprus, the Czech Republic, Denmark, Estonia, Finland, France, Germany, Greece, Hungary, Iceland, Ireland, Italy, Latvia, Lithuania, Luxembourg, Malta, the Netherlands, Norway, Poland, Portugal, Republic of North Macedonia, Romania, Serbia, Slovakia, Slovenia, Spain, Sweden, Switzerland, Türkiye and the United Kingdom.



European Committee for Electrotechnical Standardization
Comité Européen de Normalisation Electrotechnique
Europäisches Komitee für Elektrotechnische Normung

CEN-CENELEC Management Centre: Rue de la Science 23, B-1040 Brussels

EN 60335-2-52:2003/A2:2023 (E)**European foreword**

This document (EN 60335-2-52:2003/A2:2023) consists of the text of IEC 60335-2-52:2002/A2:2017 prepared by IEC/TC61 “Safety of household and similar electrical appliances”.

The following dates are fixed:

- latest date by which this document has to be (dop) 2023-12-02 implemented at national level by publication of an identical national standard or by endorsement
- latest date by which the national standards (dow) 2026-06-02 conflicting with this document have to be withdrawn

This document is read in conjunction with EN 60335-2-52:2003/A13:2023.

Attention is drawn to the possibility that some of the elements of this document may be the subject of patent rights. CENELEC shall not be held responsible for identifying any or all such patent rights.

Any feedback and questions on this document should be directed to the users' national committee. A complete listing of these bodies can be found on the CENELEC website.

Endorsement notice

The text of the International Standard IEC 60335-2-52:2002/A2:2017 was approved by CENELEC as a European Standard without any modifications.

SIST EN 60335-2-52:2003/A2:2023

<https://standards.iteh.ai/catalog/standards/sist/c67bcc2d-5ba5-4752-b9c1-d5033c0b2b18/sist-en-60335-2-52-2003-a2-2023>



INTERNATIONAL STANDARD

AMENDMENT 2

**Household and similar electrical appliances – Safety –
Part 2-52: Particular requirements for oral hygiene appliances**

[SIST EN 60335-2-52:2003/A2:2023](https://standards.iteh.ai/catalog/standards/sist/c67bcc2d-5ba5-4752-b9c1-d5033c0b2b18/sist-en-60335-2-52-2003-a2-2023)

<https://standards.iteh.ai/catalog/standards/sist/c67bcc2d-5ba5-4752-b9c1-d5033c0b2b18/sist-en-60335-2-52-2003-a2-2023>

INTERNATIONAL
ELECTROTECHNICAL
COMMISSION

ICS 13.120; 97.170

ISBN 978-2-8322-4834-8

Warning! Make sure that you obtained this publication from an authorized distributor.

FOREWORD

This amendment has been prepared by IEC technical committee 61: Safety of household and similar electrical appliances.

The text of this amendment is based on the following documents:

CDV	Report on voting
61/5314/CDV	61/5430A/RVC

Full information on the voting for the approval of this amendment can be found in the report on voting indicated in the above table.

The committee has decided that the contents of this amendment and the base publication will remain unchanged until the stability date indicated on the IEC web site under "<http://webstore.iec.ch>" in the data related to the specific publication. At this date, the publication will be

- reconfirmed,
- withdrawn,
- replaced by a revised edition, or
- amended.

A bilingual version of this publication may be issued at a later date.

NOTE The attention of National Committees is drawn to the fact that equipment manufacturers and testing organizations may need a transitional period following publication of a new, amended or revised IEC publication in which to make products in accordance with the new requirements and to equip themselves for conducting new or revised tests.

It is the recommendation of the committee that the content of this publication be adopted for implementation nationally not earlier than 12 months or later than 36 months from the date of publication.

2 Normative references

Replace the text by the following:

This clause of Part 1 is applicable except as follows.

Addition:

IEC 60584-1, *Thermocouples – Part 1: EMF specifications and tolerances*

11 Heating

Add the following new subclause:

11.3 Addition:

*Where the external **accessible surfaces** are suitably flat and access permits, then the test probe of Figure 101 is used to measure the temperature rises of external **accessible***

surfaces specified in Table 101. The probe is applied with a force of $4\text{ N} \pm 1\text{ N}$ to the surface in such a way that the best possible contact between the probe and the surface is ensured. The measurement is performed after a contact period of 30 s.

The probe may be held in place using a laboratory stand clamp or similar device. Any measuring instrument giving the same results as the probe may be used.

Add the following new subclause:

11.8 Addition:

During the test, the temperature rises are monitored continuously and shall not exceed the values shown in Table 101.

Table 101 – Maximum temperature rises of external accessible surfaces under normal operating conditions

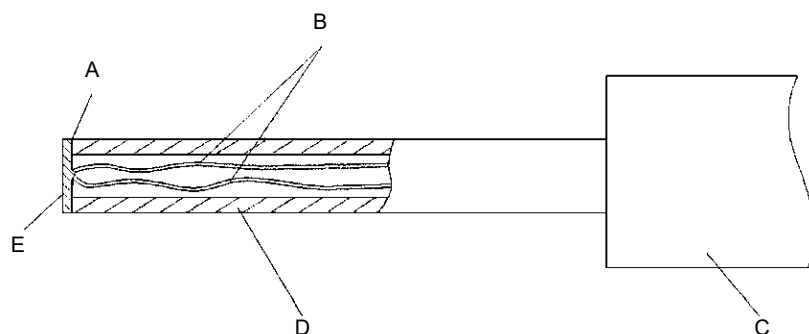
Surface	Temperature rise of external accessible surfaces K
Bare metal	38
Coated metal ^a	42
Glass and ceramic	51
Plastic and plastic coating > 0,4 mm ^{b, c}	58

^a Metal is considered coated when a coating having a minimum thickness of 90 µm made by enamel or non-substantially plastic coating is used.

^b The temperature rise limit of plastic also applies for plastic material having a metal finish of thickness less than 0,1 mm.

^c When the thickness of the plastic coating does not exceed 0,4 mm, the temperature rise limits of the coated metal or of glass and ceramic material apply.

Add the following new figure:



IEC

Key

- A adhesive
- B thermocouple wires 0,3 mm diameter according to IEC 60584-1 Type K (chrome alumel)
- C handle arrangement permitting a contact force of $4\text{ N} \pm 1\text{ N}$
- D polycarbonate tube: inside diameter 3 mm, outside diameter 5 mm
- E tinned copper disc: 5 mm diameter, 0,5 mm thick with flat contact face

Figure 101 – Probe for measuring surface temperatures