
**Optics and photonics — Lasers and
laser-related equipment — Test
methods for laser beam power, energy
and temporal characteristics**

*Optique et photonique — Lasers et équipements associés aux lasers
— Méthodes d'essai de la puissance et de l'énergie des faisceaux lasers
et de leurs caractéristiques temporelles*

iTeh STANDARD PREVIEW
(standards.iteh.ai)

[ISO 11554:2017](https://standards.iteh.ai/catalog/standards/sist/15dd64cd-f02e-4313-b9be-163a7d85b3f/iso-11554-2017)

<https://standards.iteh.ai/catalog/standards/sist/15dd64cd-f02e-4313-b9be-163a7d85b3f/iso-11554-2017>



iTeh STANDARD PREVIEW
(standards.iteh.ai)

[ISO 11554:2017](https://standards.iteh.ai/catalog/standards/sist/15dd64cd-f02e-4313-b9be-163a7d85b3f/iso-11554-2017)

<https://standards.iteh.ai/catalog/standards/sist/15dd64cd-f02e-4313-b9be-163a7d85b3f/iso-11554-2017>



COPYRIGHT PROTECTED DOCUMENT

© ISO 2017, Published in Switzerland

All rights reserved. Unless otherwise specified, no part of this publication may be reproduced or utilized otherwise in any form or by any means, electronic or mechanical, including photocopying, or posting on the internet or an intranet, without prior written permission. Permission can be requested from either ISO at the address below or ISO's member body in the country of the requester.

ISO copyright office
Ch. de Blandonnet 8 • CP 401
CH-1214 Vernier, Geneva, Switzerland
Tel. +41 22 749 01 11
Fax +41 22 749 09 47
copyright@iso.org
www.iso.org

Contents

	Page
Foreword	iv
Introduction	v
1 Scope	1
2 Normative references	1
3 Terms and definitions	1
4 Symbols and units of measurement	2
5 Measurement principles	3
6 Measurement configuration, test equipment and auxiliary devices	3
6.1 Preparation.....	3
6.1.1 Sources with small divergence angles.....	3
6.1.2 Sources with large divergence angles.....	3
6.1.3 RIN measurement.....	4
6.1.4 Measurement of small signal cut off frequency.....	5
6.2 Control of environmental impacts.....	5
6.3 Detectors.....	6
6.4 Beam-forming optics.....	7
6.5 Optical attenuators.....	7
7 Measurements	7
7.1 General.....	7
7.2 Power of cw lasers.....	7
7.3 Power stability of cw lasers.....	8
7.4 Pulse energy of pulsed lasers.....	8
7.5 Energy stability of pulsed lasers.....	8
7.6 Temporal pulse shape, pulse duration, rise time, fall time and peak power.....	8
7.7 Pulse duration stability.....	8
7.8 Pulse repetition rate.....	8
7.9 Relative intensity noise, RIN.....	9
7.10 Small signal cut-off frequency.....	9
8 Evaluation	9
8.1 General.....	9
8.2 Power of cw lasers.....	10
8.3 Power stability of cw lasers.....	10
8.4 Pulse energy of pulsed lasers.....	10
8.5 Energy stability of pulsed lasers.....	10
8.6 Temporal pulse shape, pulse duration, rise time, fall time and peak power.....	11
8.7 Pulse duration stability.....	12
8.8 Pulse repetition rate.....	13
8.9 Relative intensity noise, RIN.....	13
8.10 Small signal cut-off frequency.....	13
9 Test report	13
Annex A (informative) Relative intensity noise (RIN)	16
Bibliography	18

Foreword

ISO (the International Organization for Standardization) is a worldwide federation of national standards bodies (ISO member bodies). The work of preparing International Standards is normally carried out through ISO technical committees. Each member body interested in a subject for which a technical committee has been established has the right to be represented on that committee. International organizations, governmental and non-governmental, in liaison with ISO, also take part in the work. ISO collaborates closely with the International Electrotechnical Commission (IEC) on all matters of electrotechnical standardization.

The procedures used to develop this document and those intended for its further maintenance are described in the ISO/IEC Directives, Part 1. In particular the different approval criteria needed for the different types of ISO documents should be noted. This document was drafted in accordance with the editorial rules of the ISO/IEC Directives, Part 2 (see www.iso.org/directives).

Attention is drawn to the possibility that some of the elements of this document may be the subject of patent rights. ISO shall not be held responsible for identifying any or all such patent rights. Details of any patent rights identified during the development of the document will be in the Introduction and/or on the ISO list of patent declarations received (see www.iso.org/patents).

Any trade name used in this document is information given for the convenience of users and does not constitute an endorsement.

For an explanation on the voluntary nature of standards, the meaning of ISO specific terms and expressions related to conformity assessment, as well as information about ISO's adherence to the World Trade Organization (WTO) principles in the Technical Barriers to Trade (TBT) see the following URL: www.iso.org/iso/foreword.html. (standards.iteh.ai)

This document was prepared by Technical Committee ISO/TC 172, *Optics and photonics*, Subcommittee SC 9, *Electro-optical systems*.
ISO 11554:2017
<https://standards.iteh.ai/catalog/standards/sist/15dd64cd-f02e-4313-b9be-1461f875f141>

This fourth edition cancels and replaces the third edition (ISO 11554:2006) which has been technically revised. The following changes were made:

- a) [Subclause 3.1](#): definition of RIN was changed in order to harmonize with ISO 11145:2016.
- b) [Clause 4](#), note 3: Expression for dB calculation was corrected.
- c) [Figure 3](#): Explanation of M was modified.
- d) [Subclause 7.9](#): Measurement of RIN was added, and former content of [7.9](#) was moved to [7.10](#).
- e) [Subclause 7.10](#): Explanation for the measurement of small signal cut-off frequency was modified.
- f) [Subclause 8.9](#): Explanation for RIN was added and former content of [8.9](#) was moved to [8.10](#).
- g) [Clause 9](#), item 8): Parameters for RIN were added, and former content of item 8) was moved to item 9).
- h) Equation numbers were renumbered.

Introduction

The measurement of laser power (energy for pulsed lasers) is a common type of measurement performed by laser manufacturers and users. Power (energy) measurements are needed for laser safety classification, stability specifications, maximum laser output specifications, damage avoidance, specific application requirements, etc. This document provides guidance on performing laser power (energy) measurements as applied to stability characterization. The stability criteria are described for various temporal regions (e.g. short-term, medium term and long term) and provide methods to quantify these specifications. This document also covers pulse measurements where detector response speed can be critically important when analysing pulse shape or peak power of short pulses. To standardize reporting of power (energy) measurement results, a report template is also included.

This document is a Type B standard as stated in ISO 12100.

The provisions of this document may be supplemented or modified by a Type C standard.

Note that for machines which are covered by the scope of a Type C standard and which have been designed and built according to the provisions of that standard, the provisions of that Type C standard take precedence over the provisions of this Type B standard.

iTeh STANDARD PREVIEW (standards.iteh.ai)

[ISO 11554:2017](https://standards.iteh.ai/catalog/standards/sist/15dd64cd-f02e-4313-b9be-163a7d85b3f/iso-11554-2017)

<https://standards.iteh.ai/catalog/standards/sist/15dd64cd-f02e-4313-b9be-163a7d85b3f/iso-11554-2017>

iTeh STANDARD PREVIEW
(standards.iteh.ai)

[ISO 11554:2017](https://standards.iteh.ai/catalog/standards/sist/15dd64cd-f02e-4313-b9be-163a7d85b3f/iso-11554-2017)

<https://standards.iteh.ai/catalog/standards/sist/15dd64cd-f02e-4313-b9be-163a7d85b3f/iso-11554-2017>

Optics and photonics — Lasers and laser-related equipment — Test methods for laser beam power, energy and temporal characteristics

1 Scope

This document specifies test methods for determining the power and energy of continuous wave and pulsed laser beams, as well as their temporal characteristics of pulse shape, pulse duration and pulse repetition rate. Test and evaluation methods are also given for the power stability of cw-lasers, energy stability of pulsed lasers and pulse duration stability.

The test methods given in this document are used for the testing and characterization of lasers.

2 Normative references

The following documents are referred to in the text in such a way that some or all of their content constitutes requirements of this document. For dated references, only the edition cited applies. For undated references, the latest edition of the referenced document (including any amendments) applies.

ISO 11145, *Optics and photonics — Lasers and laser-related equipment — Vocabulary and symbols*

ISO/IEC Guide 99, *International vocabulary of metrology — Basic and general concepts and associated terms (VIM)*

IEC 61040:1990, *Power and energy measuring detectors, instruments and equipment for laser radiation*

3 Terms and definitions

For the purposes of this document, the terms and definitions given in ISO 11145, ISO/IEC Guide 99 and the following apply.

ISO and IEC maintain terminological databases for use in standardization at the following addresses:

- ISO Online browsing platform: available at <http://www.iso.org/obp>
- IEC Electropedia: available at <http://www.electropedia.org/>

3.1

relative intensity noise

RIN

$R(f)$

quotient of the radiant power mean square fluctuations to the mean square radiant power, normalized to a frequency band of unit width

$$R(f) = \frac{\langle \Delta P(f)^2 \rangle}{\langle P(f)^2 \rangle} \cdot \frac{1}{\Delta f} \quad (1)$$

Note 1 to entry: The relative intensity noise $R(f)$ or RIN [see [Formula \(1\)](#)] is explicitly spoken of as the “relative intensity noise spectral density”, but usually simply referred to as RIN.

Note 2 to entry: For further details, see [Annex A](#).

3.2
small signal cut off frequency

f_c
frequency at which the laser power output modulation drops to half the value obtained at low frequencies when applying small, constant input power modulation and increasing the frequency

4 Symbols and units of measurement

The symbols and units specified in ISO 11145 and in [Table 1](#) are used in this document.

Table 1 — Symbols and units of measurement

Symbol	Unit	Term
f	Hz	Frequency
f_c	Hz	Small signal cut-off frequency
$[f_1, f_2]$	Hz	Frequency range for which the relative intensity noise $R(f)$ is given
k	1	Coverage factor for the determination of uncertainty
m	1	Reading
\bar{m}	1	Mean value of readings
P	W	Power averaged over the sampling period
\bar{P}	W	Mean power, averaged over the measurement period at the operating conditions specified by the manufacturer
ΔP	1	Relative power fluctuation to a 95 % confidence level for the appropriate sampling period [ΔP (1 μ s) and/or ΔP (1 ms) and/or ΔP (0,1 s) and/or ΔP (1 s)]
\bar{Q}	J	Mean pulse energy
ΔQ	1	Relative pulse energy fluctuation to a 95 % confidence level
$R(f)$	Hz ⁻¹ or dB/Hz	Relative intensity noise, RIN
$S(t)$	1	Detector signal
s	1	Measured standard deviation
T	s	Pulse repetition period
t	s	Measurement period
U_{rel}	1	Expanded relative uncertainty corresponding to a 95 % confidence level (coverage factor $k = 2$)
$U_{rel}(C)$	1	Expanded relative uncertainty of calibration corresponding to a 95 % confidence level (coverage factor $k = 2$)
τ_F	s	Fall time of laser pulse
$\Delta\tau_H$	1	Relative pulse duration fluctuation with regard to τ_H to a 95 % confidence level
τ_R	s	Rise time of laser pulse
$\Delta\tau_{10}$	1	Relative pulse duration fluctuation with regard to τ_{10} to a 95 % confidence level

NOTE 1 For further details regarding 95 % confidence level see ISO 2602[1].

NOTE 2 The expanded uncertainty is obtained by multiplying the standard uncertainty by a coverage factor $k = 2$. It is determined according to the *Guide to the Expression of Uncertainty in Measurement*[3]. In general, with this coverage factor, the value of the measurand lies with a probability of approximately 95 % within the interval defined by the expanded uncertainty.

NOTE 3 $R(f)$ expressed in dB/Hz equals $10 \log_{10}R(f)$ with $R(f)$ given in Hz⁻¹.

5 Measurement principles

The laser beam is directed on to the detector surface to produce a signal with amplitude proportional to the power or energy of the laser. The amplitude versus time is measured. Radiation emitted by sources with large divergence angles is collected by an integrating sphere. Beam forming and attenuation devices may be used when appropriate.

The evaluation method depends on the parameter to be determined and is described in [Clause 8](#).

6 Measurement configuration, test equipment and auxiliary devices

6.1 Preparation

6.1.1 Sources with small divergence angles

The laser beam and the optical axis of the measuring system shall be coaxial. Select the diameter (cross-section) of the optical system such that it accommodates the entire cross section of the laser beam and so that clipping or diffraction loss is smaller than 10 % of the intended measurement uncertainty.

Arrange an optical axis so that it is coaxial with the laser beam to be measured. Suitable optical alignment devices are available for this purpose (e.g. aligning lasers or steering mirrors). Mount the attenuators or beam forming optics such that the optical axis runs through the geometrical centres. Care should be exercised to avoid systematic errors.

NOTE 1 Reflections, external ambient light, thermal radiation and air currents are all potential sources of errors.

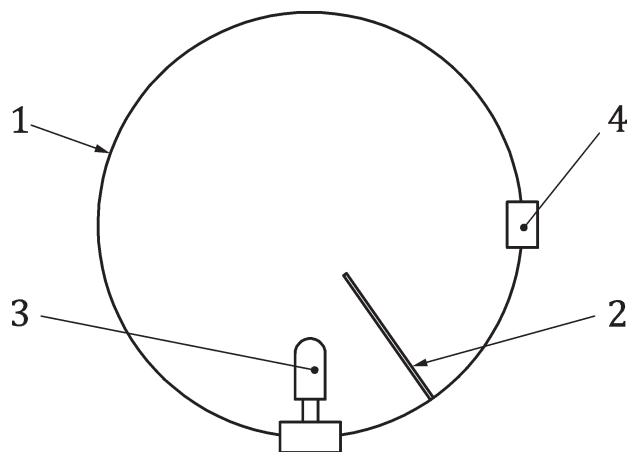
After the initial preparation is completed, make an evaluation to determine if the entire laser beam reaches the detector surface. For this determination, apertures of different diameters can be introduced into the beam path in front of each optical component. Reduce the aperture size until the output signal has been reduced by 5%. This aperture should have a diameter at least 20% smaller than the aperture of the optical component. For divergent beams, the aperture should be placed immediately in front of the detector to ensure total beam capture.

NOTE 2 Remove these apertures before performing the power (energy) measurements described in [Clause 7](#).

6.1.2 Sources with large divergence angles

The radiation emitted by sources with large divergence angles shall be collected by an integrating sphere. The collected radiation is subjected to multiple reflections from the wall of the integrating sphere; this leads to a uniform irradiance of the surface proportional to the collected flux. A detector located in the wall of the sphere measures this irradiance. An opaque screen shields the detector from the direct radiation of the device being measured. The emitting device is positioned at or near the entrance of the integrating sphere, so that no direct radiation will reach the detector.

[Figure 1](#) shows an integrating sphere measurement configuration for a small emitting source positioned inside the integrating sphere. Large sized sources should, of course, be positioned outside the sphere but close enough to the input aperture so that all emitted radiation enters the sphere.

**Key**

- 1 integrating sphere
- 2 diffusing opaque screen
- 3 device being measured
- 4 detector

Figure 1 — Schematic arrangement for the measurement of highly divergent sources

6.1.3 RIN measurement

iTeh STANDARD PREVIEW
(standards.iteh.ai)

The measuring arrangement for determination of the RIN is shown in [Figure 2](#). The beam propagates through the lens, an attenuator or other lossy medium, and falls on the detector. When adjusting the measuring arrangement, feedback of the output power into the laser shall be minimized to avoid measurement errors.

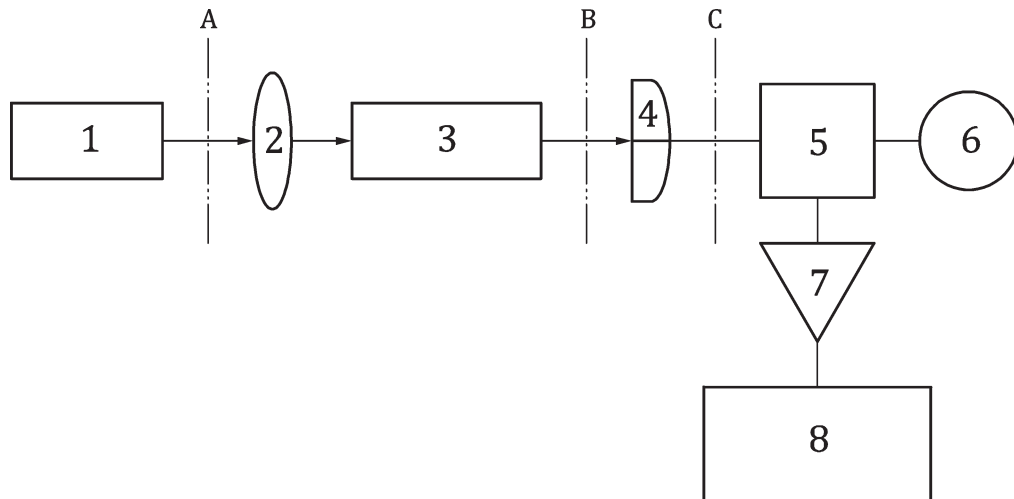
The RIN, $R(f)$ is determined at reference plane A, before any losses. The Poisson component of the RIN is increased at plane B due to losses, and again at plane C due to inefficiency in the detection process.

NOTE For an explanation of the different components of RIN, see [Annex A](#).

To measure RIN, an electrical splitter sends the dc detector signal produced by a test laser to a meter while the ac electrical noise is amplified and then displayed on an electrical spectrum analyser. RIN depends on numerous quantities, the primary ones being:

- frequency;
- output power;
- temperature;
- modulation frequency;
- time delay and magnitude of optical feedback;
- mode suppression ratio;
- relaxation oscillation frequency.

Consequently, variations or changes in these quantities should be minimized during the measurement process.



Key

- | | |
|------------------------------------|---------------------------------------|
| 1 laser | 7 pre-amplifier |
| 2 lens | 8 electrical spectrum analyser |
| 3 attenuator or other lossy medium | A reference plane that defines RIN |
| 4 detector | B Poisson RIN increases due to losses |
| 5 electrical splitter | C detector adds shot noise RIN |
| 6 meter | |

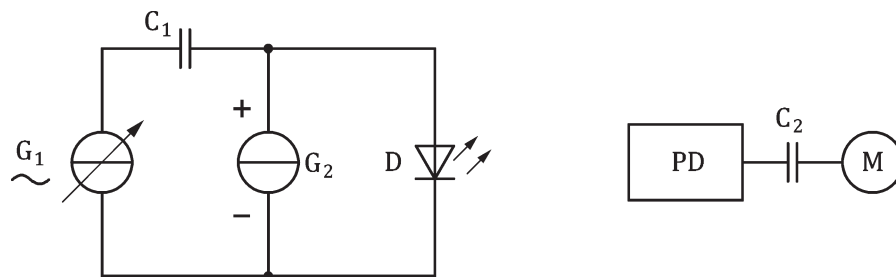
iTeh STANDARD PREVIEW

(standards.iteh.ai)

Figure 2 — Measurement arrangement for RIN determination

6.1.4 Measurement of small signal cut off frequency

For determination of the small signal cut off frequency, f_c , of lasers, the laser is modulated as described in 7.10 and the ac output power measured. Figure 3 shows the basic measurement arrangement for the case of diode lasers. When adjusting the measuring arrangement, feedback of the output power into the laser shall be minimized to avoid measurement errors.



Key

- | | |
|---|---|
| D device being measured | G ₁ adjustable frequency ac generator |
| PD detector (e.g. photodetector) | G ₂ dc generator |
| M measuring instrument for ac output power of diode laser | C ₁ , C ₂ coupling capacitors |

Figure 3 — Measurement arrangement for determination of the small signal cut off frequency of diode lasers

6.2 Control of environmental impacts

Take suitable precautions, such as vibration mechanical and acoustical isolation of the test set up, shielding from extraneous radiation, temperature stabilization of the laboratory and choice of low