



Standard Specification for Drain, Waste, and Vent (DWV) Plastic Fittings Patterns¹

This standard is issued under the fixed designation D 3311; the number immediately following the designation indicates the year of original adoption or, in the case of revision, the year of last revision. A number in parentheses indicates the year of last reapproval. A superscript epsilon (ϵ) indicates an editorial change since the last revision or reapproval.

1. Scope

1.1 This specification provides standard fitting geometries and laying lengths for plastic fittings intended for use in drain, waste, and vent applications. (See Specifications D 2661 and D 2665.)

1.2 Fittings meeting the requirements of this standard specification are designed for use with outside diameter controlled pipe. The inside diameter can vary significantly as the wall thickness and outside diameter varies and therefore is not suitable for use as a fitting socket.

1.3 The values stated in inch-pound units are to be regarded as standard. The values given in parentheses are mathematical conversions to SI units that are provided for information only and are not considered standard.

2. Referenced Documents

2.1 *ASTM Standards*:²

D 2661 Specification for Acrylonitrile-Butadiene-Styrene (ABS) Schedule 40 Plastic Drain, Waste, and Vent Pipe and Fittings

D 2665 Specification for Poly(Vinyl Chloride) (PVC) Plastic Drain, Waste, and Vent Pipe and Fittings

3. Requirements

3.1 Fittings shall conform to the geometries and laying lengths as shown in Tables 1-46 and Fig. 1. Tolerances shall be $\pm 1/16$ in. unless otherwise specified.

3.2 Spigot and hub dimensions shall conform to the requirements of the referencing standard.

3.3 The exact outside shape of a fitting is not determined by the outline drawings shown in this specification but rather by the socket dimensions, wall thickness requirements, waterway, laying lengths, and any other critical dimensions that may be specified.

3.4 The pitch of sockets for patterns with 90° angles (except vent fittings) shall be 1/4 in./ft or 1° 12 min.

3.5 On double reducing sanitary tees, the *G2* dimension on branches will be calculated on the larger size and centerlines shall remain the same for both branches.

3.6 All other dimensions, materials and property requirements shall be in conformance with the referencing standard.

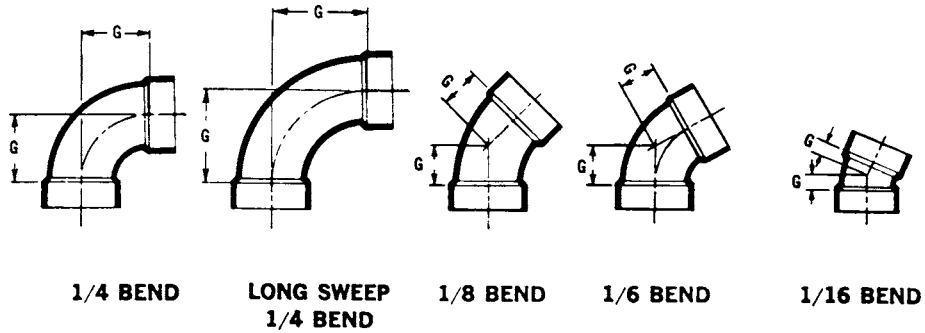
4. Keywords

4.1 DWV; fittings; plastic; Schedule 40; thermoplastic

¹ This specification is under the jurisdiction of ASTM Committee F17 on Plastic Piping Systems and is the direct responsibility of Subcommittee F17.63 on DWV. Current edition approved Nov. 15, 2008. Published December 2008. Originally approved in 1974. Last previous edition approved in 2006 as D3311-06a. Current edition approved May 1, 2009. Published June 2009. Originally approved in 1974. Last previous edition approved in 2008 as D 3311 - 08.

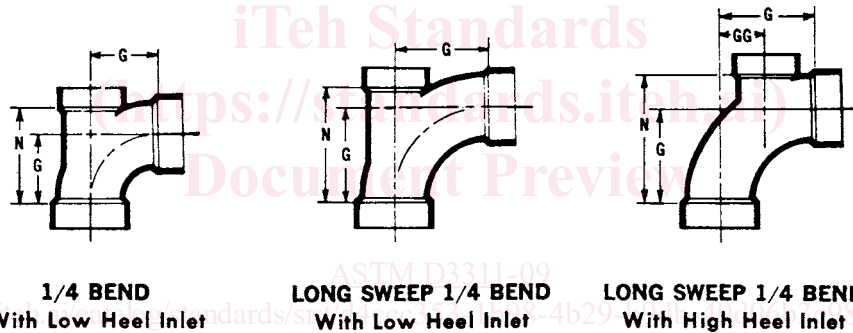
² For referenced ASTM standards, visit the ASTM website, www.astm.org, or contact ASTM Customer Service at service@astm.org. For *Annual Book of ASTM Standards* volume information, refer to the standard's Document Summary page on the ASTM website.

TABLE 1 Bends, in. (mm)



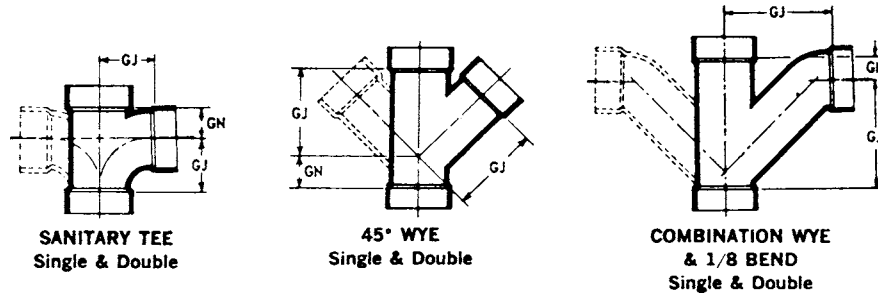
Nominal Pipe Size	1/4 Bend	Long Sweep 1/4 Bend	1/8 Bend	1/6 Bend	1/16 Bend
	G	G	G	G	G
1 1/4	1 3/16 (40)	2 1/4 (57)	1 (25)	7/8 (22)	7/16 (11)
1 1/2	1 3/4 (44)	2 3/4 (70)	1 1/8 (29)	1 (25)	1/2 (13)
2	2 5/16 (59)	3 1/4 (83)	1 1/2 (38)	1 5/16 (33)	11/16 (17)
3	3 1/16 (78)	4 1/16 (103)	1 3/4 (44)	1 11/16 (43)	13/16 (21)
4	3 7/8 (98)	4 15/16 (125)	2 3/16 (56)	2 1/16 (52)	1 (25)
6	5 (min) (127)	9 (229)	2 (min) (51)	3 3/8 (86)	1 1/2 (38)
8	6 (152)	...	2 1/16 (52)	...	1 1/2 (38)

TABLE 2 Bends with Inlets, in. (mm)



Nominal Pipe Size	1/4 Bend with Low Heel Inlet		Long-Sweep 1/4 Bend with Low Heel Inlet		Long-Sweep 1/4 Bend with High Heel Inlet		
	G	N	G	N	G	N	GG
3 by 3 by 1 1/2	3 1/16 (78)	4 3/16 (106)	4 1/16 (103)	4 3/4 (121)
3 by 3 by 2	3 1/16 (78)	4 7/16 (113)	4 1/16 (103)	4 15/16 (125)	4 1/16 (103)	5 5/8 (143)	2 1/4 (57)
4 by 4 by 2	3 7/8 (98)	5 7/16 (138)	4 15/16 (125)	6 (152)

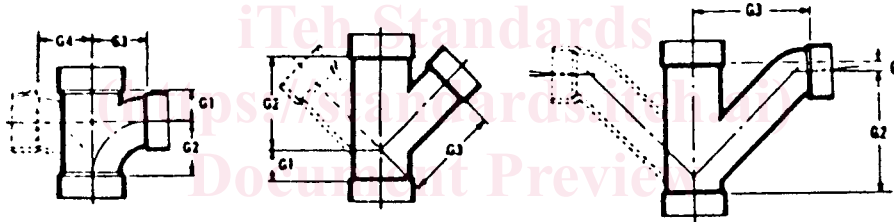
TABLE 3 Sanitary Tees, 45° Wyes, Combination Wyes and 1/8 Bends, in. (mm)



Nominal Pipe Size	Sanitary Tee Single and Double ^A		45° Wye, Single and Double		Combination Wye and 1/8 Bend Single and Double	
	GN	GJ	GN	GJ	GN	GJ
1¼	¾ (19)	1½ (40)	1½ (27)	2½ (65)	7/16 (11)	2½ (65)
1½	1 (25)	1¾ (44)	1½ (29)	2¾ (73)	½ (13)	3½ (86)
2	1¾ (35)	2½ (59)	1¾ (35)	3½ (92)	1 (25)	4½ (114)
3	1¾ (46)	3½ (78)	1¾ (41)	5 (127)	1½ (29)	6½ (160)
4	2¼ (57)	3¾ (98)	1¾ (48)	6¾ (162)	1¾ (46) ^B	8½ (219)
6	3½ (89)	5 (127)	1¾ (44)	8¾ (214)	^B	^B
8	4½ (114)	6 (152)	2¾ (60)	11¼ (298)	^B	^B

^ANon-reducing double sanitary tees are for vent use only.
^BCombination wye and 1/8 bend is assembled from two standard fittings.

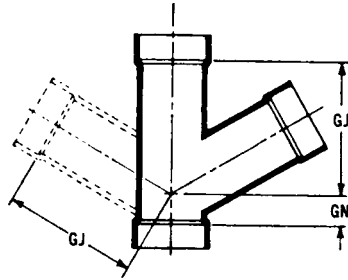
TABLE 4 Reducing Sanitary Tees, 45° Wyes, Combination Wyes, and 1/8 Bends, in. (mm)



Nominal Pipe Size	Sanitary Tee, Reducing Single and Double ^A				45° Wye, Reducing Single and Double			Combination Wye and 1/8 Bend Reducing Single and Double		
	G1	G2	G3	G4	G1	G2	G3	G1	G2	G3
1½ by 1¼ by 1¼	1½ (38) ^B	1¼ (32)	1¼ (32)	1¼ (32)	—	—	—	—	—	—
1½ by 1¼ by 1½	1 (25)	1¾ (44)	1¾ (44)	1¾ (44)	—	—	—	—	—	—
1½ by 1½ by 1¼	1¾ (21)	1½ (43)	1½ (43)	1½ (43)	—	—	—	½ (13)	¾ (83)	3½ (81)
2 by 1¼ by 1½	1¾ (30)	1¾ (49)	2¾ (56)	2¾ (56)	—	—	—	—	—	—
2 by 1½ by 1½	1¾ (30)	1¾ (49)	2¾ (56)	2¾ (56)	¾ (19) ^B	2¾ (71) ^B	2¾ (75) ^B	¾ (14)	3½ (94)	3½ (92)
2 by 1½ by 2	1¾ (35)	2½ (59)	2½ (59)	2½ (59)	1 (25) ^B	3½ (89) ^B	3½ (86) ^B	1 (25)	4½ (114)	4½ (114)
2 by 2 by 1¼	1¾ (30)	1¾ (49)	2¾ (56)	2¾ (56)	—	—	—	—	—	—
2 by 2 by 1½	1¾ (30)	1¾ (49)	2¾ (56)	2¾ (56)	1½ (27)	3½ (84)	3¾ (87)	¾ (14)	3½ (170)	3½ (92)
3 by 3 by 1½	1¾ (24)	1¾ (44)	2¾ (65)	2¾ (65)	½ (13)	3¾ (95)	4¾ (110)	¾ (3)	3¾ (87)	4¼ (108)
3 by 3 by 2	1¾ (30)	2½ (54)	2¾ (73)	2¾ (73)	¾ (22)	4½ (105)	4¾ (117)	¾ (11)	4¾ (121)	5½ (135)
3 by 3 by 2 by 1½	1¾ (24) ^B	2½ (52) ^B	2¾ (62) ^B	2½ (64) ^B	—	—	—	—	—	—
4 by 4 by 1½	1½ (27) ^B	2 (51) ^B	3¼ (83) ^B	3¼ (83) ^B	0 (0) ^B	3¾ (84) ^B	3½ (100) ^B	—	—	—
4 by 4 by 2	1½ (29)	2½ (52)	3½ (84)	3½ (84)	¾ (10)	4½ (119)	5¾ (141)	¾ (8)	4¾ (121)	5¾ (149)
4 by 4 by 3	1¾ (44)	3 (76)	3¾ (90)	3¾ (90)	1½ (27)	5¾ (141)	6 (152)	1½ (27)	6¾ (162)	6¾ (175)
6 by 6 by 3	—	—	—	—	¾ (5) ^B	6½ (176) ^B	7¾ (189) ^B	1½ (17) ^B	7¾ (198) ^B	8½ (224) ^B
6 by 6 by 4	2¾ (56) ^B	3¾ (92) ^B	4½ (110) ^B	4½ (110) ^B	¾ (5) ^B	6½ (170) ^B	7¾ (189) ^B	¾ (14) ^B	7¾ (198) ^B	8½ (227) ^B
8 by 8 by 4	2¾ (67)	4½ (105)	5¼ (133)	5¼ (133)	¾ (10)	7¾ (194)	8¾ (219)	^C	^C	^C
8 by 8 by 6	3¾ (90)	4¾ (122)	5½ (140)	5½ (140)	1 (25)	9¾ (241)	9¾ (249)	^C	^C	^C

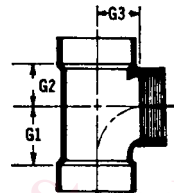
^ANon-reducing double sanitary tees are for vent use only.
^BThis dimension is a minimum with no upper maximum limit.
^CCombination Wye and 1/8 bend is assembled from two standard fittings.

TABLE 5 60° Wyes, Single, and Double, in. (mm)



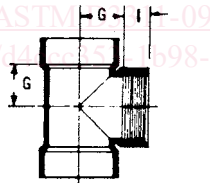
Nominal Pipe Size	GN	GJ
1½	1⅞ (40)	2⅞ (73)
2	1¾ (37)	3⅝ (92)
3	1⅝ (37)	5 (127)

TABLE 6 Fixture Tees, in. (mm)



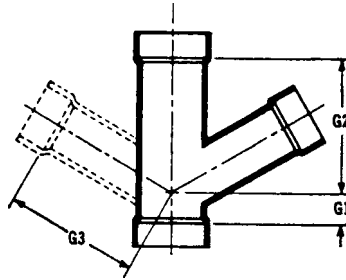
Nominal Pipe Size	G1	G2	G3
1½	1⅞ (40)	1¾ (30)	1¼ (32)
2 by 1½ by 1½	1¾ (37)	1¾ (30)	1¼ (32)
2 by 2 by 1½	1⅞ (37)	1⅝ (33)	1¼ (32)

TABLE 7 Cleanout Tees, in. (mm)



Nominal Pipe Size	G	I
1½	1⅞ (30)	⅝ (16)
2	1½ (38)	⅝ (16)
3	1⅞ (48)	¾ (19)
4	2½ (64)	⅞ (22)

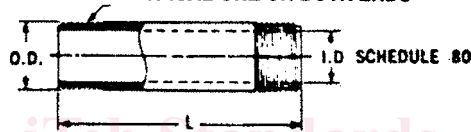
TABLE 8 60° Reducing Wyes, Single and Double, in. (mm)



Nominal Pipe Size	G1	G2	G3
2 by 2 by 1½	1¼ (27)	3¼ (87)	3¼ (87)
3 by 3 by 1½	½ (13)	3¾ (95)	4¾ (110)
3 by 3 by 2	7⁄8 (22)	4½ (105)	4¾ (117)

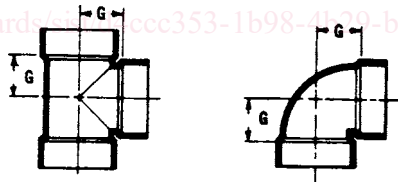
TABLE 9 Molded Nipples, in. (mm)

MOLDED PIPE THREAD PER F 1498
TYPICAL ONE OR BOTH ENDS



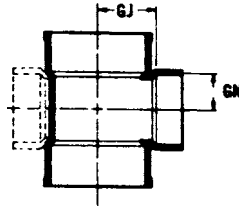
Nominal Pipe Size	OD	ID	Length
1½	1.900	1.500	½-in. increments from
2	2.375	1.939	close to 18 in. long
3	3.500	2.900	

TABLE 10 Vent Tees and ¼ Bend Vents, in. (mm)



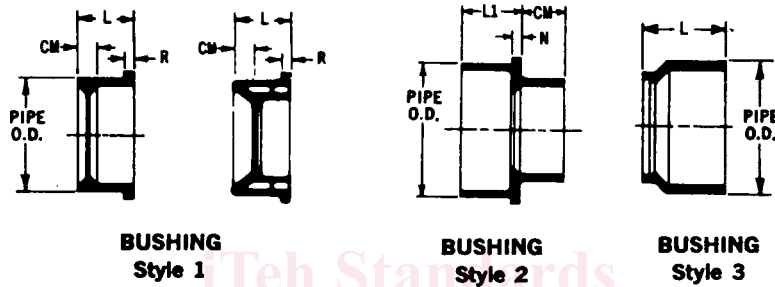
Nominal Pipe Size	Vent Tee	¼ Bend Vent
1¼	1 (25)	1 (25)
1½	1¾ (30)	1¾ (30)
2	1½ (38)	1½ (38)
3	1¾ (48)	1¾ (48)
4	2½ (64)	2½ (64)

TABLE 11 Reducing Vent Tees, Single, and Double, in. (mm)



Nominal Pipe Size	GN	GJ
2 by 1½ by 1½	1¾ (30)	1½ (38)
2 by 2 by 1½	1¾ (30)	1½ (38)
3 by 3 by 1½	1¾ (30)	1⅞ (48)
3 by 3 by 2	1½ (38)	1⅞ (48)

TABLE 12 Bushings, in. (mm)



BUSHING Style 1

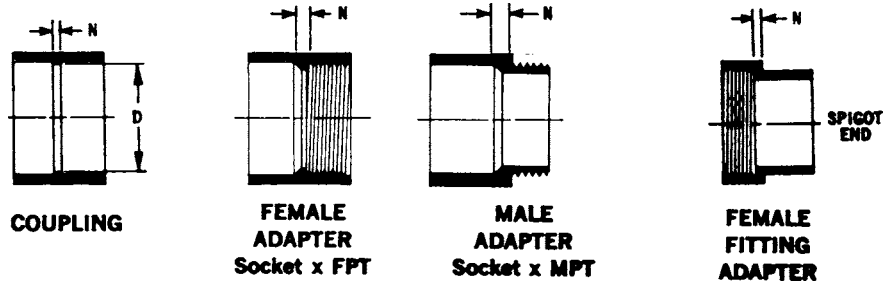
BUSHING Style 2

BUSHING Style 3

Nominal Pipe Size	Style 1 (a and b) ^A			Style 2		Style 3	
	L	CM	R	L1	CM	N	L
1½ by 1¼	1⁵⁄₁₆ (24)	¾ (5)	¾ (5)	1 (25)
2 by 1¼	1¹⁄₁₆ (27)	⁵⁄₁₆ (8)	¾ (5)	1⅛ (29)
2 by 1½	1¹⁄₁₆ (27)	⁵⁄₁₆ (8)	¾ (5)	1⅜ (28)
3 by 1½	1¾ (44)	1 (25)	¼ (6)	1¾ (44)	¾ (19)	¼ (6)	1½ (38)
3 by 2	1¾ (44)	⅞ (22)	¼ (6)	1¾ (44)	⅞ (22)	¼ (6)	1⅝ (41)
4 by 2	2 (51)	1⅛ (29)	¼ (6)	2 (51)	⅞ (22)	¼ (6)	...
4 by 3	2 (51)	½ (13)	¼ (6)	2 (51)	1½ (38)	¼ (6)	...
6 by 3	3⁵⁄₁₆ (84)	1¹⁹⁄₁₆ (97)	⁵⁄₁₆ (8)
6 by 4	3½ (89)	1¾ (44)	½ (13)
8 by 4	4⅝ (117)	2⅞ (73)	⅝ (16)
8 by 6	4⅝ (117)	1⅝ (41)	⅝ (16)

^ANo less than four ribs shall be used to support walls.

TABLE 13 Couplings, Adapters, in. (mm)



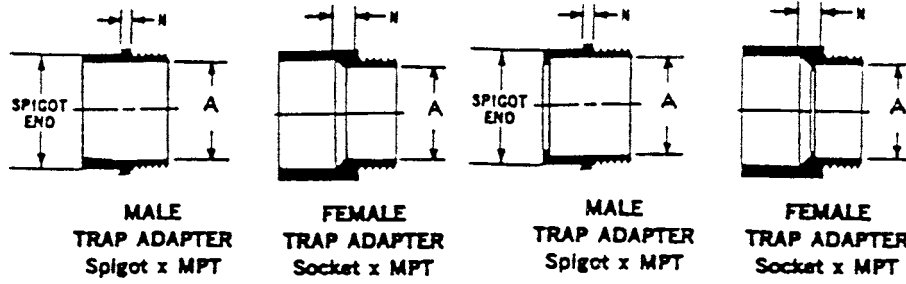
Nominal Pipe Size	Coupling		Female Adapter		Male Adapter		Female Fitting Adapter
	D	N, min	N, min	N, min	A, max	N, min	
1¼	1.600 to 1.380	⅛ (3)	¼ (6)	⅜ (5)	1.290 (32.77)	⅝ (4)	
1½	1.840 to 1.610	⅛ (3)	¼ (6)	⅜ (5)	1.552 (39.42)	⅝ (4)	
2	2.320 to 2.067	⅛ (3)	¼ (6)	⅜ (5)	2.067 (52.50)	⅝ (4)	
3	3.440 to 3.068	⅜ (5)	⅝ (8)	⅜ (10)	3.068 (77.93)	⅞ (6)	
4	4.440 to 4.026	¼ (6)	1½ (9)	⅜ (10)	4.026 (102.26)	¼ (6)	
6	6.550 to 6.065	¼ (6)	
8	8.655 to 8.610	¼ (6)	

TABLE 14 Pipe Increases, in. (mm)



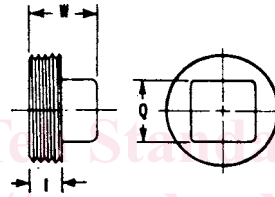
Nominal Pipe Size	N, min
1¼ by 1½	1⅜ (10)
1½ by 2	1⅞ (13)
1½ by 3	1⅝ (28)
2 by 3	1⅞ (22)
2 by 4	1⅞ (35)
3 by 4	1⅝ (24)

TABLE 15 Trap Adapters, in. (mm)



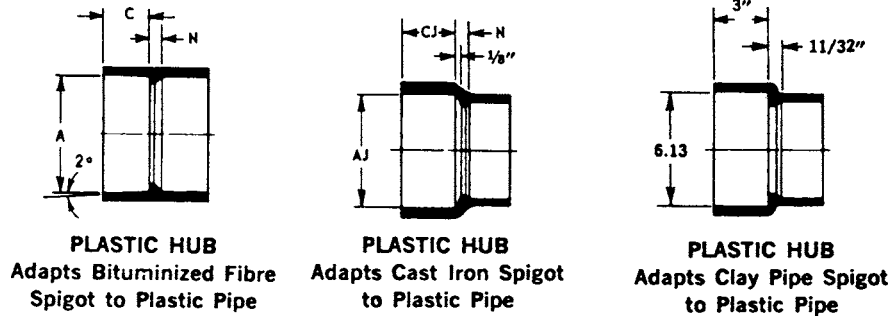
Without stop			With Stop
Nominal Pipe Size		N, min	A, min
1¼		¾ (5)	1.250 (32)
1½		¾ (5)	1.500 (38)
2		¾ (5)	2.000 (51)
1¼ by 1½		¾ (5)	1.250 (32)

TABLE 16 Pipe Plugs, in. (mm)



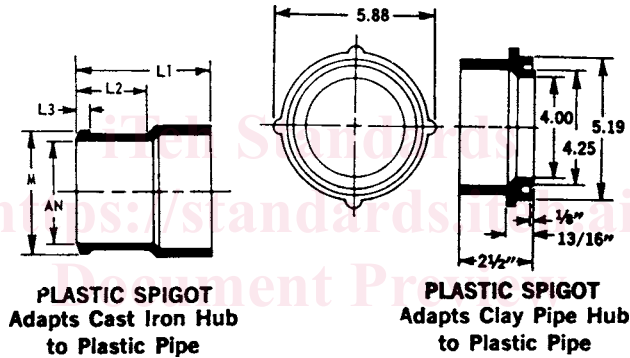
Nominal Pipe Size	I	W	Q
1¼	½ (13)	1 (25)	1 (25)
1½	⅝ (16)	1⅞ (35)	1 (25)
2	⅝ (16)	1⅞ (35)	1¼ (32)
2½	¾ (19)	1½ (38)	1¼ (32)
3	¾ (19)	1¾ (44)	1⅝ (41)
3½	¾ (19)	1¾ (44)	1⅝ (41)
4	⅞ (22)	1⅞ (48)	2 (51)
6	1 (25)	2 (51)	2¼ (32)
8	1⅞ (35)	2⅞ (60)	3½ (89)

TABLE 17 Hubs, in. (mm)



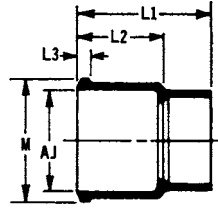
Nominal Pipe Size	A	C	N	AJ	CJ	N
2	2.94 (74.7)	2 ³ / ₈ (60)	3 ⁸ / ₁₆ (10)
3	3.448 (87.58)	1 ¹¹ / ₁₆ (43)	5 ¹ / ₁₆ (8)	3.94 (100.1)	2 ⁵ / ₈ (67)	7 ¹ / ₁₆ (11)
4	4.493 (114.12)	1 ¹⁵ / ₁₆ (49)	1 ¹ / ₃₂ (9)	4.94 (125.5)	2 ⁷ / ₈ (73)	1 ¹ / ₂ (13)
Reducing 4 by 3	4.493 (114.12)	1 ¹⁵ / ₁₆ (49)	5 ¹ / ₁₆ (8)	4.94 (125.5)	2 ⁷ / ₈ (73)	7 ¹ / ₁₆ (11)

TABLE 18 Spigots, in. (mm)



Nominal Pipe Size	L2, min	L1, min	L3, min	M		AN
				max	min	
2	3 ¹ / ₂ (89)	4 ⁵ / ₈ (117)	3 ⁸ / ₁₆ (10)	2.75 (69.9)	2.63 (66.8)	2.00 (50.8)
3	3 ³ / ₄ (95)	5 ⁵ / ₈ (143)	3 ⁸ / ₁₆ (10)	3.88 (98.6)	3.63 (92.2)	3.00 (76.2)
4	4 (102)	6 ¹ / ₈ (156)	3 ⁸ / ₁₆ (10)	4.88 (124.0)	4.63 (117.6)	4.00 (101.6)

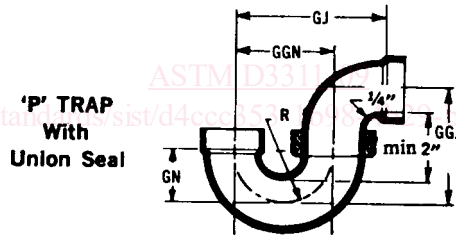
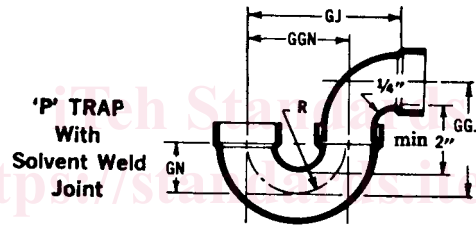
TABLE 19 Reducing Spigots, in. (mm)



PLASTIC SPIGOT, Reducing
Adapts Cast Iron Hub
to Plastic Pipe

Nominal Pipe Size	L2 min	L1 min	L3 min	M		AJ
				max	min	
2 by 1½	3½ (89)	4¼ (108)	¾ (10)	2.75 (69.9)	2.63 (66.8)	2.00 (50.8)
3 by 1½	3¾ (95)	4½ (114)	¾ (10)	3.88 (98.6)	3.63 (92.2)	3.00 (76.2)
3 by 2	3¾ (95)	4⅝ (117)	¾ (10)	3.88 (98.6)	3.63 (92.2)	3.00 (76.2)
4 by 2	4 (102)	4⅞ (124)	¾ (10)	4.88 (124.0)	4.63 (117.6)	4.00 (101.6)
4 by 3	4 (102)	5½ (140)	¾ (10)	4.88 (124.0)	4.63 (117.6)	4.00 (101.6)

TABLE 20 P Traps, in. (mm)



Nominal Pipe Size	min GJ	min GGJ	min GGN	min GN	min R
1¼	4⅞ (105)	3⅝ (86)	3 (76)	1⅝ (35)	1⅝ (41)
1½	4⅞ (107)	3⅝ (92)	3 (76)	1⅝ (35)	1⅝ (41)
2	7¼ (184)	4⅞ (103)	5 (127)	2¼ (57)	2½ (64)
3	8⅞ (214)	6⅞ (160)	6¼ (159)	2⅝ (67)	3⅞ (79)
4	10⅞ (275)	7⅞ (200)	8⅞ (205)	3⅞ (87)	4⅞ (103)